



AQUAPUMP

Variable Speed Circulating Pumps



AQUAPUMP VARIABLE SPEED CIRCULATING PUMPS

For greater efficiency that sets new energy installation specifications, we have two variable speed circulating pump options – as well as fixed speed. The first variable speed pump is made of cast iron for closed systems. The second is a stainless-steel potable pump for open looped systems and potable domestic hot water recirculation.

SAVE TIME. SAVE ENERGY.

Whether you are installing a pump with zone valves or a complete circulating pump zoning solution, Resideo now offers you one brand with endless application flexibility. With AquaPUMP you get:

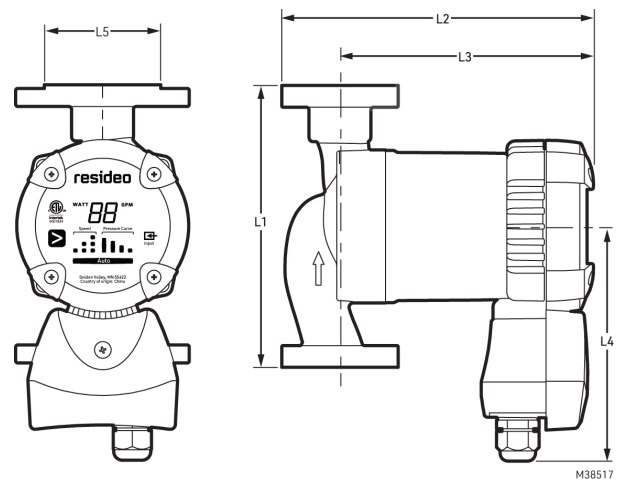
- **Five different modes of operation** provide versatility to cover the performance of a wide range of fixed and variable speed circulators utilizing pressure responsive control.
- **Built-in quality**
 - Easy access to the terminal block for wiring
 - Large wiring chamber and front-mounted terminal block
 - Reliable and easy to install in the field
 - New pumps feature a 5-year warranty
- **Quiet Operating ECM** reduces energy consumption, operational noise and vibrations to help extend the life of the pump and eliminate callbacks.
- **Separate Flow Check** is sold as a standalone part so there is no need to stock a separate pump assembly.
- **Certification**
 - ETL listed for US and Canada (conforms to UL STD 778 certificated to CSA STD C.22.2 NO. 108-01).
 - NSF 372 (stainless steel model)

PRODUCT NUMBER	PUMP CASTING	MAX. FLOW		MAX. PRESSURE HEAD		CONNECTIONS		WEIGHT IBS. (KG)	DIMENSIONS				
		GPM	LPM	FEET	METERS	BOLT HOLE SPACING	BOLT HOLE		L1 IN. (MM)	L2 IN. (MM)	L3 IN. (MM)	L4 IN. (MM)	L5 IN. (MM)
PCVF-ECM2020/U	CAST IRON	20	75.7	20	6	3-5/32 IN. (80.2 MM)	1/2 IN. (12.7 MM)	8.0 (3.6)	6.50 (165)	7.08 (165)	5.75 (146)	5.31 (135)	3.25 (80)
PCVF-ECM2020-LF/U	STAINLESS STEEL	20	75.7	20	6	3-5/32 IN. (80.2 MM)	1/2 IN. (12.7 MM)	8.0 (3.6)	6.50 (165)	7.08 (165)	5.75 (146)	5.31 (135)	3.25 (80)

AQUAPUMP ACCESSORIES

PRODUCT NUMBER	DESCRIPTION
PCG100/U	CIRCULATING PUMP FLANGE GASKET
PCV100/U	CIRCULATING PUMP CHECK VALVE

For more information
resideo.com/pro/water



Resideo Technologies, Inc.
 1985 Douglas Drive North
 Golden Valley, MN 55422
 1-888-793-8193
resideo.com

03-00577 | TG | 1/21
 © 2021 Resideo Technologies, Inc. All rights reserved. This product is manufactured by Resideo Technologies, Inc., and its affiliates.



AIR



SECURITY



WATER



ENERGY