

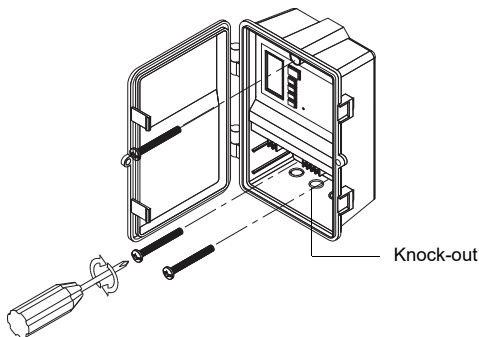
Installation and User Guide Industrial Indoor/Outdoor Solar Timer

1 About your new timer

- Provides normally-open (NO) dry contacts to independently control two loads:
 - Load 1** follows a user-programmed schedule when placed in automatic mode. The load can also be activated or deactivated manually similar to the operation of a regular switch. A single-pole switch can be connected to the timer to control Load 1 similar to a 3-way installation. For example, the timer can be installed outside whereas the switch can be located remotely (e.g., inside the house).
 - Load 2** always follows the sunset/sunrise program; i.e., it is activated at sunset and deactivated at sunrise. It is usually used for night lighting.
- Can be used in various applications (see table below)

| Load type | Maximum load | Examples |
|----------------|--------------------------|---|
| Resistive load | 3600 W (30 A @ 120 V) | <ul style="list-style-type: none"> incandescent lights halogen lights block heaters |
| Inductive load | 1200 W (10 A @ 120 V) | <ul style="list-style-type: none"> fluorescent lights compact fluorescent lights (CFL) sodium lamps electronic ballasts |
| Motor | 1.5 hp @ 120 V | <ul style="list-style-type: none"> pumps fans |

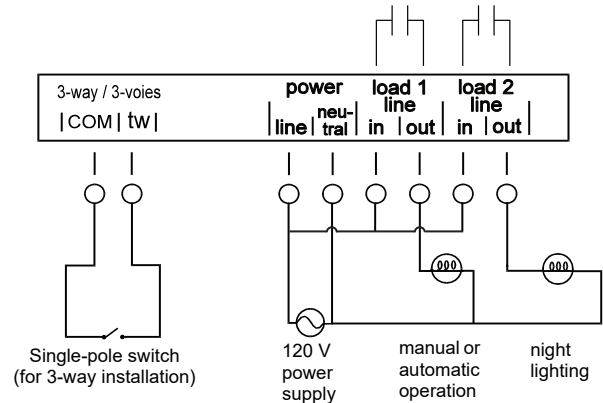
2 Installation



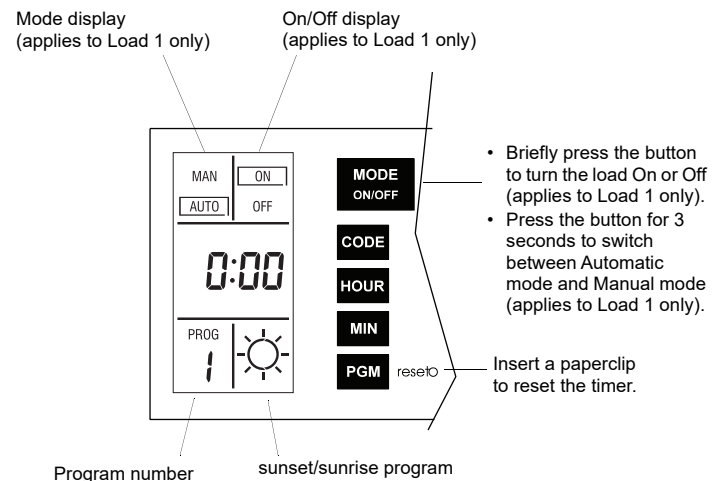
- Cut power at the main electrical panel to avoid electric shock.
- Open the TI044 door and remove the plastic cover to access the mounting holes and wire terminals.
- Install the TI044 to a vertical surface such as a wall by means of three screws (not supplied).
WARNING: To prevent rain infiltration or any other liquid from the top, the TI044 must be installed in the upright position as shown above.
- Remove the necessary knockouts at the bottom of the housing.
- Install strain-relief bushings over the knockouts, pass the wires through the bushings and secure them in place.
- Perform the connections as shown on the wiring diagram.

NOTE: For a 3-way installation only, connect a regular single-pole switch to the 3-way terminals of the timer as shown on the wiring diagram.

- Reinstall the plastic cover and apply power at the main electrical panel.



3 Operation



3.1 First power-up

At power-on, 0:00 should flash. Otherwise, press **reset** using a paper clip. If the display is blank, verify the power supply.

3.2 Load 1

Load 1 can operate in Manual or Automatic mode. To switch between the two modes, press and hold the **MODE** button for 3 seconds.

Manual Mode

In Manual mode, the TI044 operates like a regular switch to control Load 1. Briefly press the **MODE** button to activate or deactivate the load. (If you have connected a remote switch to the timer for a 3-way installation, the switch can also be used to activate or deactivate Load 1.) The mode indicator (**MAN**) and the state (**ON** or **OFF**) are displayed.

Automatic Mode



In Automatic mode, the TI044 controls Load 1 according to the programmed schedule (see section 6). The mode indicator (**AUTO**), the state (**ON** or **OFF**) and the current program number are displayed.

To temporarily override the programmed schedule, press the **MODE** button or use the remote switch (if connected). The new state indicator will flash to show that this state is temporary. The override remains in effect until you press the **MODE** button (or use the remote switch) or until the beginning of the next program.

3.3 Load 2

Load 2 follows the sunset/sunrise program (regardless of the operating mode of the timer). For example, if Load 2 is a light, the light will turn On at sunset and turns Off at sunrise.

NOTE: To use Load 2, you first need to enter the city coordinates and set the date (see section 6).

4 Setting the Clock

NOTE: The switch displays the time in 24-hour format by default or following a reset.

- To switch between 12-hour format and 24-hour format, proceed as follows:
 - Press the MODE button to ensure the MAN or AUTO indicator is displayed.
 - Briefly press the MIN and HOUR buttons simultaneously (0:00 display = 24-hour; 12:00 display = 12-hour).
- Set the time using the HOUR and MIN buttons. For the 12-hour time format, if you are setting an afternoon time, ensure PM appears on the screen.
- Press the MODE button to return to normal operation.

5 Daylight Savings Time

This procedure sets the switch for daylight savings time or for standard time.

- Press the CODE button four times.
- Press the MIN button to switch between nor and Ad.

| | |
|-----|---|
| nor | Standard time / Normal time / Winter time |
| Ad | Daylight savings time / Advanced time / Summer time |

- Press the MODE button to return to normal operation.

6 Sunset/Sunrise Program

NOTE 1: Load 2 always follows the sunset/sunrise program. Therefore, to use Load 2, you need to enter the city coordinates (longitude and latitude) and set the date.

NOTE 2: By default, once you have programmed the sunset/sunrise parameters, Load 1 will follow the sunset/sunrise program when you place the timer in Automatic mode. To set your own schedule, see section 7.

6.1 Determining the sunset/sunrise parameters

Fill out the following table:

| Latitude | Longitude | Day # | nor/Ad | Lc |
|----------|-----------|-------|--------|----|
| | | | | |

1) **LATITUDE & LONGITUDE:** Enter the coordinates of your city or the nearest city using the supplied table. If none of the cities in the table is applicable, this information is usually available on the Internet.

NOTE: Add a minus sign when entering a south latitude coordinate or a west longitude coordinate.

2) **DAY #:** Enter the day #. (Add the code of the current month to the current date.)

For example: For June 24th, the day # = 151 + 24 = 175

| | | | | | |
|----------|----|--------|-----|-----------|-----|
| January | 0 | May | 120 | September | 243 |
| February | 31 | June | 151 | October | 273 |
| March | 59 | July | 181 | November | 304 |
| April | 90 | August | 212 | December | 334 |

3) **nor/Ad:** If your country has daylight savings time, select the current time period.

| | |
|-----|---|
| nor | Standard time / Normal time / Winter time |
| Ad | Daylight savings time / Advanced time / Summer time |

4) **Lc:** If your city's time zone is based on political or economic boundaries instead of its coordinates, your lights might switch On/Off too early or too late with respect to sunset and sunrise. Therefore, apply a correction factor (+1 or -1). Otherwise, leave it at 0.

6.2 Programming the sunset/sunrise parameters

Once you have completed section 6.1, proceed as follows:

- Press the CODE button until the desired parameter appears. The parameters appear in the following order.

| Parameter | Default setting | Possible settings | Buttons used |
|------------------------------|-----------------|-------------------|--------------|
| Latitude (LAT) | 00 | -65 to 65 | HOUR & MIN |
| Longitude (LONG) | 000 | -180 to 180 | HOUR & MIN |
| Day number (DAY #) | 000 | 1 to 365 | HOUR & MIN |
| Daylight savings time | nor | nor / Ad | MIN |
| Local correction factor (Lc) | 0 | -1, 0, 1 | MIN |

- Press the HOUR or MIN button to modify the value (see table above for the buttons to use).
- Press the MODE button to return to normal operation.

7 Programming the Schedule

NOTE: Applies to Load 1 only. The programmed schedule does not affect Load 2 which follows the sunset/sunrise program only.

The switch can hold 2 programs which are repeated every day. When you place the timer in Automatic mode, it will activate the load at the start of each program and deactivate it at the end of the program. You need to set the following parameters:

- P1 ON** : Start time of program 1
- P1 OFF** : End time of program 1
- P2 ON** : Start time of program 2
- P2 OFF** : End time of program 2

- Press the PGM button until the desired parameter is displayed. If you have entered your city's parameters (see section 6), the parameters **P1 ON** and **P2 OFF** show the sunset time and sunrise time for this time of the year. If Load 1 is used for lighting, when the timer will be placed in **AUTO** mode, it will turn the light ON at sunset and will turn it Off at sunrise. For example:

- P1 ON** : 20:38 (sunset)
- P1 OFF** : --:-- (blank)

P2 ON : --:-- (blank)
P2 OFF : 6:10 (sunrise)

2. Press the HOUR and MIN buttons to set the time.
Example: If you want your lights to turn On at sunset and to turn Off at 10:00 PM, set **P1 OFF** to **22:00**. If you also want your lights to turn back On at 5:00 AM then turn Off at sunrise, set **P2 ON** to **5:00**.

P1 ON : 20:38 (sunset)
P1 OFF : 22:00 (programmed)
P2 ON : 5:00 (programmed)
P2 OFF : 6:10 (sunrise)

NOTE: **P1 OFF** and **P2 OFF** have priority over **P1 ON** and **P2 ON** respectively. For example, if sunrise is at 4:58 and **P2 ON** is set to 5:00, the lights will not turn on.

You can replace the sunrise and sunset times by fixed times. Select program **P1 ON** or **P2 OFF** and enter the desired time using the **HOUR** and **MIN** buttons.

3. Press the MODE button to return to normal operation.

Clearing a programmed time

1. Press the PGM button to display the programmed time.
2. Press the CODE button. The time will be erased and --:-- will be displayed.
NOTE: For P1 ON and P2 OFF, if you have programmed the city parameters, the programmed time will be replaced by sunset time and sunrise time respectively.
3. Press the MODE button to return to normal operation.

8 Technical Specifications

Supply: 120 VAC, 50 / 60 Hz

Maximum load: See section 1

Outputs (for both loads): Single Pole Single Throw (SPST)

Input (for 3-way installation only): Requires a dry contact

Battery backup: During a power outage, the screen is blank but the programs are preserved using an internal rechargeable battery.

Operating temperature range: -40 °C to 50 °C (-40 °F to 122 °F)

Solar table precision: +/- 11 min. (max error around poles)

Enclosure type: 3R

Certifications: CSA & UL



Warranty

Resideo warrants this product, excluding battery, to be free from defects in workmanship or materials, under normal use and service, for a period of three (3) years from the date of first purchase by the original purchaser. If at any time during the warranty period the product is determined to be defective due to workmanship or materials, Resideo shall repair or replace it (at Resideo's option).

If the product is defective,

- (i) return it, with a bill of sale or other dated proof of purchase, to the place from which you purchased it; or
- (ii) call Resideo Customer Care at 1-800-468-1502. Customer Care will make the determination whether the product should be returned to the following address: Resideo Return Goods, 1985 Douglas Dr. N., Golden Valley, MN 55422, or whether a replacement product can be sent to you.

This warranty does not cover removal or reinstallation costs. This warranty shall not apply if it is shown by Resideo that the defect was caused by damage which occurred while the product was in the possession of a consumer.

Resideo's sole responsibility shall be to repair or replace the product within the terms stated above. RESIDEO SHALL NOT BE LIABLE FOR ANY LOSS OR DAMAGE OF ANY KIND, INCLUDING ANY INCIDENTAL OR CONSEQUENTIAL DAMAGES RESULTING, DIRECTLY OR INDIRECTLY, FROM ANY BREACH OF ANY WARRANTY, EXPRESS OR IMPLIED, OR ANY OTHER FAILURE OF THIS PRODUCT.

Some states do not allow the exclusion or limitation of incidental or consequential damages, so this limitation may not apply to you.

THIS WARRANTY IS THE ONLY EXPRESS WARRANTY RESIDEO MAKES ON THIS PRODUCT. THE DURATION OF ANY IMPLIED WARRANTIES, INCLUDING THE WARRANTIES OF MERCHANTABILITY AND FITNESS FOR A PARTICULAR PURPOSE, IS HEREBY LIMITED TO THE THREE YEAR DURATION OF THIS WARRANTY. Some states do not allow limitations on how long an implied warranty lasts, so the above limitation may not apply to you.

This warranty gives you specific legal rights, and you may have other rights which vary from state to state. If you have any questions concerning this warranty, please write Resideo Customer Care, 1985 Douglas Dr, Golden Valley, MN 55422 or call 1-800-468-1502.



Customer Assistance

If you have any questions on the product installation or operation, contact us at:

Resideo Technologies, Inc.
1985 Douglas Drive North, Golden Valley, MN 55422
1-800-831-2823

For more information on our products, go to
www.customer.resideo.com

| CANADA | | | |
|-------------------|-----|------|----|
| CITY | LAT | LONG | Lc |
| BANFF | 51 | -115 | 1 |
| BURNABY | 49 | -122 | 0 |
| CALGARY | 51 | -114 | 1 |
| CAPE - DORSET | 64 | -76 | 0 |
| CHICOUTIMI | 48 | -71 | 0 |
| DAWSON | 64 | -139 | 1 |
| EASTMAIN | 52 | -78 | 0 |
| EDMONTON | 53 | -113 | 1 |
| FORT SEVERN | 56 | -87 | 1 |
| HALIFAX | 44 | -63 | 0 |
| IGALUIT | 63 | -68 | 0 |
| INUKJUAJ | 58 | -78 | 0 |
| KITCHENER | 43 | -80 | 0 |
| LONDON | 42 | -81 | 0 |
| MISTASSINI | 50 | -73 | 0 |
| MONTREAL | 45 | -73 | 0 |
| OSHAWA | 43 | -78 | 0 |
| OTTAWA | 45 | -75 | 0 |
| QUEBEC | 46 | -71 | 0 |
| REGINA | 50 | -104 | 1 |
| RICHMOND | 49 | -123 | 0 |
| SASKATOON | 52 | -106 | 1 |
| SEPT-ILES | 50 | -66 | -1 |
| SHERBROOKE | 45 | -71 | 0 |
| ST. ANTHONY | 51 | -55 | 0 |
| SAINT JOHN (NB) | 45 | -66 | 0 |
| ST. JOHN'S (NFLD) | 47 | -52 | 0 |
| SUDBURY | 46 | -81 | 0 |
| THUNDER BAY | 48 | -89 | 1 |
| TORONTO | 43 | -79 | 0 |
| TROIS-RIVIÈRES | 46 | -72 | 0 |
| URANIUM CITY | 59 | -108 | 0 |
| VANCOUVER | 49 | -123 | 0 |
| WINDSOR | 42 | -83 | 1 |
| WINNIPEG | 49 | -97 | 0 |

| USA | | | |
|------------------|-----|------|----|
| CITY | LAT | LONG | Lc |
| ABILENE | 32 | -99 | 1 |
| ALBUQUERQUE | 35 | -106 | 0 |
| ALLENTOWN | 40 | -75 | 0 |
| AMARILLO | 35 | -101 | 1 |
| ANCHORAGE | 61 | -149 | 1 |
| ATLANTA | 33 | -84 | 1 |
| AUSTIN | 30 | -97 | 0 |
| BAKERSFIELD | 35 | -119 | 0 |
| BALTIMORE | 39 | -76 | 0 |
| BATON ROUGE | 30 | -91 | 0 |
| BEAUMONT | 30 | -94 | 0 |
| BILLINGS | 45 | -108 | 0 |
| BIRMINGHAM | 33 | -86 | 0 |
| BOISE | 43 | -116 | 1 |
| BOISE CITY | 36 | -102 | 1 |
| BOSTON | 42 | -71 | 0 |
| BROWNSVILLE | 25 | -97 | 0 |
| BUFFALO | 42 | -78 | 0 |
| CEDAR RAPIDS | 41 | -91 | 0 |
| CHARLOTTE | 35 | -80 | 0 |
| CHATTANOOGA | 35 | -85 | 1 |
| CHEYENNE | 41 | -104 | 0 |
| CHICAGO | 41 | -87 | 0 |
| CINCINNATI | 39 | -84 | 1 |
| CLEVELAND | 41 | -81 | 0 |
| COLOMBUS | 39 | -82 | 0 |
| COLORADO SPRINGS | 38 | -104 | 0 |
| CORPUS CHRISTI | 27 | -97 | 0 |
| DALLAS | 32 | -96 | 0 |
| DENVER | 39 | -104 | 0 |
| DES MOINES | 41 | -93 | 0 |
| DETROIT | 42 | -83 | 1 |
| DULUTH | 46 | -92 | 0 |
| EL PASO | 31 | -106 | 0 |
| ERIE | 42 | -80 | 0 |
| EUGENE | 44 | -123 | 0 |
| EVANSVILLE | 37 | -87 | 0 |
| FLINT | 43 | -83 | 1 |
| FORT LAUDERDALE | 26 | -80 | 0 |
| FORT WAYNE | 41 | -85 | 1 |
| FRESNO | 36 | -119 | 0 |
| GRAND RAPIDS | 42 | -85 | 1 |
| GREAT FALLS | 47 | -111 | 0 |
| GREENSBORO | 36 | -79 | 0 |
| HAMPTON | 37 | -76 | 0 |
| HARTFORD | 41 | -72 | 0 |
| HONOLULU | 21 | -157 | 0 |
| HOUSTON | 29 | -95 | 0 |
| HUNTSVILLE | 34 | -86 | 0 |
| INDIANAPOLIS | 39 | -86 | 1 |
| JACKSON | 32 | -90 | 0 |
| JACKSONVILLE | 30 | -81 | 0 |
| KANSAS CITY | 39 | -94 | 0 |
| KNOXVILLE | 35 | -83 | 1 |
| LAKESWOOD | 39 | -105 | 0 |
| LANSING | 42 | -84 | 1 |
| LAREDO | 27 | -99 | 1 |
| LAS VEGAS | 36 | -115 | 0 |
| LEXINGTON | 38 | -84 | 1 |
| LINCOLN | 40 | -96 | 0 |
| LITTLE ROCK | 34 | -92 | 0 |
| LONG BEACH | 33 | -118 | 0 |
| LOS ANGELES | 34 | -118 | 0 |

| USA | | | |
|------------------|-----|------|----|
| CITY | LAT | LONG | Lc |
| LOUISVILLE | 38 | -85 | 1 |
| LUBBOCK | 33 | -101 | 1 |
| MACON | 32 | -83 | 1 |
| MADISON | 43 | -89 | 0 |
| MEMPHIS | 35 | -90 | 0 |
| MIAMI | 25 | -80 | 0 |
| MILWAUKEE | 43 | -87 | 0 |
| MINNEAPOLIS | 44 | -93 | 0 |
| MOBILE | 30 | -88 | 0 |
| MODESTO | 37 | -120 | 0 |
| MONTGOMERY | 32 | -86 | 0 |
| NASHVILLE | 36 | -86 | 0 |
| NEW ORLEANS | 29 | -90 | 0 |
| NEW YORK | 40 | -74 | 0 |
| NORFOLK | 36 | -76 | 0 |
| OKLAHOMA CITY | 35 | -97 | 0 |
| OMAHA | 41 | -95 | 0 |
| ORLANDO | 28 | -81 | 0 |
| OVERLAND PARK | 38 | -94 | 0 |
| OXNARD | 34 | -119 | 0 |
| PEORIA | 40 | -89 | 0 |
| PHILADELPHIA | 40 | -75 | 0 |
| PHOENIX | 33 | -112 | 0 |
| PITTSBURG | 40 | -79 | 0 |
| PLANO | 33 | -96 | 0 |
| PORTLAND | 45 | -122 | 0 |
| PROVIDENCE | 41 | -71 | 0 |
| RALEIGH | 35 | -78 | 0 |
| RAPID CITY | 44 | -103 | 1 |
| RENO | 39 | -119 | 0 |
| RICHMOND | 37 | -77 | 0 |
| ROANOKE | 37 | -79 | 0 |
| ROCHESTER | 43 | -77 | 0 |
| ROCKFORD | 42 | -89 | 0 |
| SACRAMENTO | 38 | -121 | 0 |
| SALT LAKE CITY | 40 | -111 | 0 |
| SAN ANTONIO | 29 | -98 | 1 |
| SAN DIEGO | 32 | -117 | 0 |
| SAN FRANCISCO | 37 | -122 | 0 |
| SANTA ROSA | 38 | -122 | 0 |
| SAVANNAH | 32 | -81 | 0 |
| SEATTLE | 47 | -122 | 0 |
| SHREVEPORT | 32 | -93 | 0 |
| SOUTH BEND | 41 | -86 | 0 |
| SPOKANE | 47 | -117 | 0 |
| SPRINGFIELD (IL) | 39 | -89 | 0 |
| SPRINGFIELD (MA) | 42 | -72 | 0 |
| SPRINGFIELD (MO) | 37 | -93 | 0 |
| ST. LOUIS | 38 | -90 | 0 |
| SYRACUSE | 43 | -76 | 0 |
| TALLAHASSEE | 30 | -84 | 1 |
| TAMPA | 27 | -82 | 0 |
| TOLEDO | 41 | -83 | 1 |
| TOPEKA | 39 | -95 | 0 |
| TUCSON | 32 | -110 | 0 |
| TULSA | 36 | -95 | 0 |
| VIRGINIA BEACH | 36 | -75 | 0 |
| WACO | 31 | -97 | 0 |
| WASHINGTON DC | 38 | -77 | 0 |
| WICHITA | 37 | -97 | 0 |
| WINSTON-SALEM | 36 | -80 | 0 |
| YONKERS | 40 | -73 | 0 |
| YOUNGSTOWN | 41 | -80 | 0 |

| MEXICO | | | |
|---------------|-----|------|----|
| CITY | LAT | LONG | Lc |
| TIJUANA | 32 | -117 | 0 |
| NOGALES | 31 | -111 | 0 |
| CIUDAD JUAREZ | 31 | -106 | 0 |
| MATAMOROS | 26 | -97 | 0 |
| NUEVO LAREDO | 27 | -99 | 1 |
| MONTERREY | 25 | -100 | 1 |
| CHIHUAHUA | 28 | -106 | 0 |
| MAZATLÁN | 23 | -106 | 0 |
| TAMPICO | 22 | -98 | 1 |
| ZACATECAS | 22 | -102 | 1 |
| LÉON | 21 | -101 | 1 |
| LA PAZ | 24 | -110 | 0 |
| MEXICO CITY | 19 | -99 | 1 |
| PUEBLA | 19 | -98 | 1 |
| GUADALAJARA | 20 | -103 | 1 |
| OAXACA | 17 | -96 | 0 |
| ACAPULCO | 16 | -100 | 1 |
| CANCUN | 21 | -86 | 0 |
| MERIDA | 21 | -89 | 0 |

| Puerto Rico | | | |
|-------------|-----|------|----|
| CITY | LAT | LONG | Lc |
| SAN JUAN | 18 | -66 | 0 |

| Dominican Republic | | | |
|--------------------|-----|------|----|
| CITY | LAT | LONG | Lc |
| SANTO DOMINGO | 18 | -70 | 1 |

Mode d'installation et d'emploi

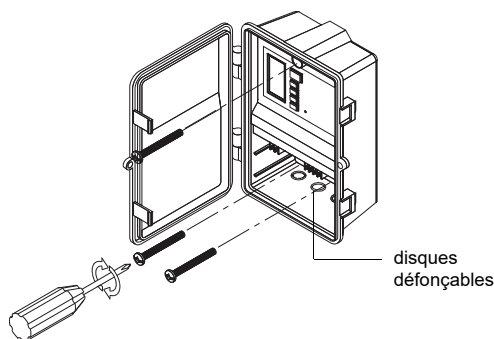
Minuterie solaire et industrielle pour l'intérieure et l'extérieure

1 Applications

- Munie des contacts normalement ouverts (NO) pour commander indépendamment deux charges.
 - La charge 1 (*Load 1*) suit l'horaire que vous avez programmé lorsque la minuterie est placée en mode automatique. La charge peut aussi être activée ou désactivée manuellement, d'une manière semblable au fonctionnement d'un interrupteur conventionnel. Un interrupteur unipolaire peut être relié à la minuterie pour commander la charge 1 semblable à une installation à trois voies. Par exemple, la minuterie peut être installée à l'extérieur tandis que l'interrupteur peut être installé plus loin (p. ex. : dans la résidence).
 - La charge 2 (*Load 2*) suit toujours l'horaire de coucher et lever du soleil; c.-à-d. qu'elle est activée au coucher du soleil et elle est désactivée au lever du soleil. Cette charge est habituellement utilisée pour l'éclairage de nuit.
- Peut servir dans plusieurs applications (voir tableau ci-dessous)

| Type de charge | Charge maximale | Exemples |
|------------------|--------------------------|---|
| Charge résistive | 3600 W (30 A @ 120 V) | <ul style="list-style-type: none"> éclairage incandescent éclairage halogène chauffe-moteurs |
| Charge inductive | 1200 W (10 A @ 120 V) | <ul style="list-style-type: none"> éclairage fluorescent éclairage compact fluorescent éclairage au sodium ballasts électroniques |
| Moteur | 1,5 hp @ 120 V | <ul style="list-style-type: none"> pompes ventilateurs |

2 Installation



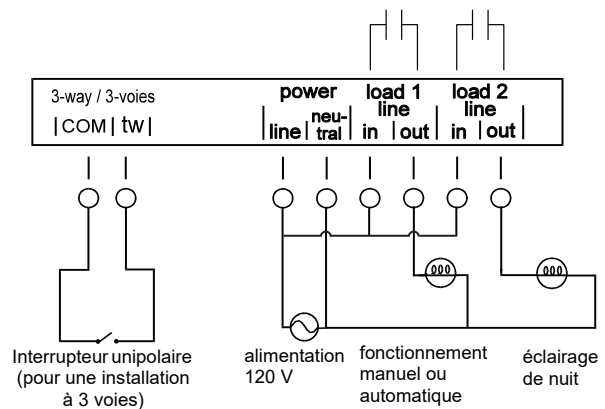
- Mettre le circuit hors tension à partir du panneau électrique principal afin d'éviter tout risque de choc électrique.
- Ouvrir la porte du TI044 et retirer le couvercle de plastique pour accéder aux trous de montage et aux bornes de connexion.
- Installer le TI044 sur une surface verticale, tel un mur, au moyen de trois vis (non fournies).

AVERTISSEMENT: Afin de prévenir la pluie ou tout autre liquide de s'infiltrer d'en haut, le TI044 doit être installé en position verticale tel qu'illustré ci-dessus.

- Retirer les disques défonçables (knockouts) nécessaires sur la partie inférieure du boîtier
- Poser des bagues anti-traction sur les entrées défonçables, passer les fils dans les bagues et les fixer en place.
- Effectuer les connexions comme illustré sur le schéma de câblage.

REMARQUE : Pour une installation à 3 voies uniquement, brancher un interrupteur unipolaire aux bornes de 3-voies de la minuterie tel qu'illustré sur le schéma de câblage.

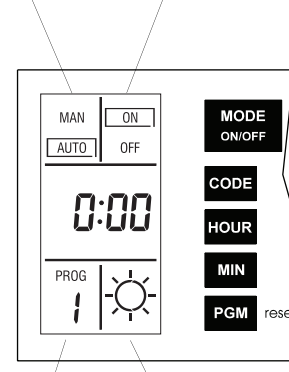
- Remettre le couvercle de plastique et remettre le circuit sous tension à partir du panneau électrique principal.



3 Opération

Indicateur de mode (s'applique à la charge 1 uniquement)

Indicateur Marche/Arrêt (On/Off) (s'applique à la charge 1 uniquement)



- Appuyer brièvement sur la touche pour activer ou désactiver la charge (s'applique à la charge 1 uniquement).
 - Appuyer sur la touche pendant 3 secondes pour basculer entre le mode manuel et le mode automatique (s'applique à la charge 1 uniquement).
- Insérer un trombone pour réinitialiser la minuterie.

Numéro du programme

Horaire du coucher et lever du soleil

3.1 Mise sous tension

Lors de la mise sous tension, 0:00 clignotera. Dans le cas contraire, appuyer sur **reset** à l'aide d'un trombone. Si rien n'apparaît à l'écran, vérifier l'alimentation.

3.2 Charge 1 (Load 1)

La charge 1 (Load 1) peut fonctionner en mode manuel ou en mode automatique. Pour basculer entre les deux modes, appuyer sur la touche **MODE** pendant 3 secondes.

Mode manuel

En mode manuel, la minuterie TI044 fonctionne comme un interrupteur conventionnel pour commander la charge 1. Appuyer sur la touche **MODE (ON/OFF)** brièvement pour activer ou désactiver la charge. (Si vous avez branché un interrupteur à la minuterie pour une installation à 3 voies, l'interrupteur peut aussi être utilisé pour commander la charge 1.) Le mode manuel (**MAN**) et l'état de marche/arrêt (**ON/OFF**) sont affichés.

Mode automatique

En mode automatique, la charge 1 fonctionne selon l'horaire programmé (voir la section 6). Le mode automatique (**AUTO**), le numéro du programme en cours ainsi que l'état de marche/arrêt (**ON/OFF**) sont affichés.

Pour déroger temporairement à l'horaire programmé, appuyer sur la touche **MODE** ou l'interrupteur de l'installation à 3 voies (si branché). Le nouvel état (**ON** ou **OFF**) clignotera pour indiquer que l'état est temporaire. La dérogation reste active jusqu'à ce qu'on appuie de nouveau sur la touche **MODE** (ou l'interrupteur) ou jusqu'au début du prochain programme.

3.3 Charge 2 (Load 2)

La charge 2 suit l'horaire de coucher et lever du soleil (peu importe le mode de fonctionnement de la minuterie). Par exemple, si la charge 2 est un appareil d'éclairage, les lumières s'allumeront au coucher du soleil et s'éteindront au lever du soleil.

NOTA : Pour commander la charge 2, vous devez enregistrer les paramètres de votre ville et régler la date (voir la section 6).

4 Régler l'horloge

NOTA : L'interrupteur affiche l'heure en format 24 heures par défaut ou après une réinitialisation.

- Pour basculer entre le format 12 heures et le format 24 heures, procéder comme suit :
 - Appuyer sur la touche **MODE** afin de s'assurer que l'indicateur **MAN** ou **AUTO** est affiché.
 - Appuyer sur les touches **MIN** et **HOUR** simultanément et brièvement (affichage **0:00** = 24 heures; affichage **12:00** = 12 heures).
- Régler l'heure à l'aide des touches **HOUR** et **MIN**. Si le format 12 heures est sélectionné, s'assurer que **PM** s'affiche à l'écran lorsque vous réglez l'heure de l'après-midi.
- Appuyer sur la touche **MODE** pour retourner au fonctionnement normal.

5 Heure avancée

Cette procédure sert à configurer l'interrupteur à l'heure avancée ou à l'heure normale.

- Appuyer sur la touche **CODE** 4 fois.
- Appuyer sur la touche **MIN** pour basculer entre **nor** et **Ad**.

| | |
|-----|-------------------------------|
| nor | heure normale / heure d'hiver |
| Ad | heure avancée / heure d'été |

- Appuyer sur la touche **MODE** pour retourner au fonctionnement normal.

6 Programmation de coucher et lever du soleil

NOTA 1 : La charge 2 (Load 2) suit toujours l'horaire de coucher et lever du soleil. Pour commander la charge 2, vous devez enregistrer les paramètres de votre ville et régler la date.

NOTA 2 : Par défaut, une fois que vous avez enregistré les paramètres de coucher et lever du soleil, la charge 1 suivra l'horaire de coucher et lever du soleil lorsque vous placerez la minuterie en mode automatique. Pour utiliser votre propre horaire, voir la section 7.

6.1 Définir les paramètres

Remplir le tableau suivant :

| Latitude | Longitude | n° jour (Day #) | nor/Ad | Lc |
|----------|-----------|-----------------|--------|----|
| | | | | |

1) LATITUDE & LONGITUDE : inscrire les coordonnées de votre ville ou de la ville la plus proche en utilisant le tableau fourni. Si aucune des villes dans le tableau ne convient, vous pouvez généralement trouver cette information sur Internet.

NOTA : Ajouter un signe négatif pour inscrire une valeur de latitude sud ou une valeur de longitude ouest.

2) n° jour (DAY #) : inscrire le numéro de jour (additionner le code du mois en cours à la date du jour).

Par exemple, pour le 24 juin, le numéro de jour est $151 + 24 = 175$

| | | | | | |
|---------|----|---------|-----|-----------|-----|
| janvier | 0 | mai | 120 | septembre | 243 |
| février | 31 | juin | 151 | octobre | 273 |
| mars | 59 | juillet | 181 | novembre | 304 |
| avril | 90 | août | 212 | décembre | 334 |

3) nor/Ad : si votre pays a l'heure avancée, sélectionner la période actuelle de l'année.

| | |
|-----|-------------------------------|
| nor | heure normale / heure d'hiver |
| Ad | heure avancée / heure d'été |

4) Lc : si le fuseau horaire de votre ville est basé sur des frontières politiques ou économiques plutôt que sur ses coordonnées, vos lumières pourraient s'allumer ou s'éteindre trop tôt ou trop tard par rapport au coucher et lever du soleil. Dans ce cas, inscrire un facteur de correction (+1 ou -1). Sinon, le laisser à 0.

6.2 Enregistrement des paramètres

Une fois la section 6.1 complétée, procéder comme suit :

- Appuyer sur la touche **CODE** jusqu'à ce que le paramètre soit affiché. Les paramètres apparaissent dans l'ordre suivant :

| Paramètre | Valeur par défaut | Valeurs possibles | Touches utilisées |
|----------------------------------|-------------------|-------------------|-------------------|
| Latitude (LAT) | 00 | -65 à 65 | HOUR & MIN |
| Longitude (LONG) | 000 | -180 à 180 | HOUR & MIN |
| Numéro du jour (DAY #) | 000 | 1 à 365 | HOUR & MIN |
| Heure d'hiver / heure d'été | nor | nor / Ad | MIN |
| Facteur de correction local (Lc) | 0 | -1, 0, 1 | MIN |

- Appuyer sur la touche **HOUR** ou la touche **MIN** pour modifier la valeur (voir le tableau ci-dessus pour les touches à utiliser).
- Appuyer sur la touche **MODE** pour retourner au fonctionnement normal.

7 Programmation de l'horaire

NOTA : Ne s'applique qu'à la charge 1. L'horaire programmé n'affecte pas la charge 2. Celle-ci suit uniquement l'horaire de coucher et lever du soleil.

L'interrupteur contient 2 programmes qui peuvent se répéter chaque jour. Lorsque vous placez l'interrupteur en mode automatique, il active la charge au début de chaque programme et désactive la charge à la fin du programme. Vous devez régler les paramètres suivants :

- P1 ON** : Début du programme 1
- P1 OFF** : Fin du programme 1
- P2 ON** : Début du programme 2
- P2 OFF** : Fin du programme 2

- Appuyer sur la touche **PGM** jusqu'à ce que le paramètre désiré soit affiché.

Si vous avez enregistré les paramètres de votre ville (voir la section 6), les paramètres **P1 ON** et **P2 OFF** indiquent les heures du coucher du soleil et du lever du soleil à la période actuelle de l'année. Si la charge 1 est un appareil d'éclairage, lorsque la minuterie est placée en mode **AUTO**, elle allumera les lumières au coucher du soleil et les éteindra au lever du soleil.

Par exemple :

- P1 ON** : **20:38** (coucher du soleil)
- P1 OFF** : **--:--** (vide)
- P2 ON** : **--:--** (vide)
- P2 OFF** : **6:10** (lever du soleil)

- Appuyer sur les touches **HOUR** et **MIN** pour régler l'heure.

Exemple : Si vous désirez que vos lumières s'allument au coucher du soleil et s'éteignent à 22 h, régler **P1 OFF** à **22:00**. Si vous désirez également que vos lumières s'allument à 5 h et s'éteignent au lever du soleil, régler **P2 ON** à **5:00**.

- P1 ON** : **20:38** (coucher du soleil)
- P1 OFF** : **22:00** (heure réglée)
- P2 ON** : **5:00** (heure réglée)
- P2 OFF** : **6:10** (lever du soleil)

NOTA : **P1 OFF** et **P2 OFF** ont priorité sur **P1 ON** et **P2 ON** respectivement. Par exemple, si le lever du soleil est à 4 h 58 et **P2 ON** est placé à 5 h, les lumières ne s'allumeront pas.

Vous pouvez remplacer les heures du lever du soleil et du coucher du soleil par des heures fixes. Sélectionner les programmes **P1 ON** ou **P2 OFF** et enregistrer les heures désirées en utilisant les touches **HOUR** et **MIN**.

- Appuyer sur la touche **MODE** pour retourner au fonctionnement normal.

Effacer un réglage

- Appuyer sur la touche **PGM** jusqu'à ce que le réglage soit affiché.
- Appuyer sur la touche **CODE**. Le réglage sera effacé et **--:--** sera affiché.

REMARQUE : Pour **P1 ON** et **P2 OFF**, si vous avez programmé les paramètres de votre ville, le réglage sera respectivement remplacé par l'heure du coucher du soleil ou l'heure du lever du soleil.

- Appuyer sur la touche **MODE** pour retourner au fonctionnement normale.

8 Fiche technique

Alimentation : 120 Vca, 50/60 Hz

Charge maximale : Voir la section 1

Sorties (pour les deux charges): unipolaire, unidirectionnel (SPST)

Entrée (for une installation à 3 voies) : Nécessite un contact sec

Autonomie : Lors d'une panne de courant, l'écran est éteint mais les programmes sont conservés au moyen d'une pile rechargeable intégrée.

Température de fonctionnement : -40 °C à 50 °C (-40 °F à 122 °F)

Précision du tableau solaire : +/- 11 min. (erreur max. près des pôles)

Type de boîtier : 3R

Certifications : CSA & UL



Garantie

Resideo garantit ce produit, à l'exception des piles, contre tout défaut de pièce ou de main-d'oeuvre, durant une période pour trois (3) ans à partir de la date d'achat par le consommateur d'origine si le produit est utilisé et entretenu convenablement. En cas de défaillance ou de mauvais fonctionnement pendant la période de garantie, Resideo remplacera ou réparera le produit, à sa discrétion.

Si le produit est défectueux

(i) renvoyez-le avec la facture ou une autre preuve d'achat date au lieu d'achat; ou

(ii) appelez le service à la clientèle de Resideo en composant le 1-800-468-1502. Le service à la clientèle déterminera si le produit doit être retourné à l'adresse suivante : Resideo Return Goods, 1985 Douglas Dr. N., Golden Valley, MN 55422, ou si un produit de remplacement peut vous être expédié.

La présente garantie ne couvre pas les frais de retrait ou de réinstallation. La présente garantie ne s'applique pas s'il est démontré par Resideo que la défaillance ou le mauvais fonctionnement sont dus à un endommagement du produit alors que le consommateur l'avait en sa possession.

La responsabilité exclusive de Resideo se limite à réparer ou à remplacer le produit conformément aux modalités susmentionnées. RESIDEO N'EST EN AUCUN CAS RESPONSABLE DES PERTES OU DOMMAGES, Y COMPRIS LES DOMMAGES INDIRECTS OU ACCESSOIRES DÉCOULANT DIRECTEMENT OU INDIRECTEMENT D'UNE VIOLATION QUELCONQUE D'UNE GARANTIE, EXPRESSE OU TACITE, APPLICABLE AU PRÉSENT PRODUIT, OU TOUTE AUTRE DÉFAILLANCE DU PRÉSENT PRODUIT. Certaines provinces ne permettent pas l'exclusion ou la restriction des dommages indirects ou accessoires et, par conséquent, la présente restriction peut ne pas s'appliquer.

CETTE GARANTIE EST LA SEULE GARANTIE EXPRESSE FAITE PAR RESIDEO POUR CE PRODUIT. LA DURÉE DE TOUTE GARANTIE IMPLICITE, INCLUANT LES GARANTIES DE QUALITÉ MARCHANDE OU D'ADAPTATION À UNE UTILISATION PARTICULIÈRE, EST LIMITÉE PAR LES PRÉSENTES À LA PÉRIODE À TROIS ANNÉES DE LA PRÉSENTE GARANTIE. Certaines provinces ne permettent pas de limiter la durée des garanties tacites et, par conséquent, la présente limitation peut ne pas s'appliquer.

La présente garantie donne au consommateur des droits spécifiques et certains autres droits qui peuvent varier d'une province à l'autre.

Pour toute question concernant la présente garantie, prière d'écrire aux Services à la clientèle de Resideo à l'adresse suivante : Resideo Customer Relations, 1985 Douglas Dr, Golden Valley, MN 55422 ou composer le 1-800-468-1502.



Service à la clientèle

Si vous avez des questions sur ce produit, prière de nous joindre à :

Resideo Technologies, Inc.
1985 Douglas Drive North, Golden Valley, MN 55422
1-800-831-2823

Pour de plus amples informations sur nos produits, visiter le www.customer.resideo.com

| CANADA | | | |
|-------------------|-----|------|----|
| VILLE | LAT | LONG | Lc |
| BANFF | 51 | -115 | 1 |
| BURNABY | 49 | -122 | 0 |
| CALGARY | 51 | -114 | 1 |
| CAPE - DORSET | 64 | -76 | 0 |
| CHICOUTIMI | 48 | -71 | 0 |
| DAWSON | 64 | -139 | 1 |
| EASTMAIN | 52 | -78 | 0 |
| EDMONTON | 53 | -113 | 1 |
| FORT SEVERN | 56 | -87 | 1 |
| HALIFAX | 44 | -63 | 0 |
| IGALUIT | 63 | -68 | 0 |
| INUKJUAK | 58 | -78 | 0 |
| KITCHENER | 43 | -80 | 0 |
| LONDON | 42 | -81 | 0 |
| MISTASSINI | 50 | -73 | 0 |
| MONTREAL | 45 | -73 | 0 |
| OSHAWA | 43 | -78 | 0 |
| OTTAWA | 45 | -75 | 0 |
| QUEBEC | 46 | -71 | 0 |
| REGINA | 50 | -104 | 1 |
| RICHMOND | 49 | -123 | 0 |
| SASKATOON | 52 | -106 | 1 |
| SEPT-ILES | 50 | -66 | -1 |
| SHERBROOKE | 45 | -71 | 0 |
| ST. ANTHONY | 51 | -55 | 0 |
| SAINT JOHN (NB) | 45 | -66 | 0 |
| ST. JOHN'S (NFLD) | 47 | -52 | 0 |
| SUDBURY | 46 | -81 | 0 |
| THUNDER BAY | 48 | -89 | 1 |
| TORONTO | 43 | -79 | 0 |
| TROIS-RIVIÈRES | 46 | -72 | 0 |
| URANIUM CITY | 59 | -108 | 0 |
| VANCOUVER | 49 | -123 | 0 |
| WINDSOR | 42 | -83 | 1 |
| WINNIPEG | 49 | -97 | 0 |

| États-Unis | | | |
|------------------|-----|------|----|
| VILLE | LAT | LONG | Lc |
| ABILENE | 32 | -99 | 1 |
| ALBUQUERQUE | 35 | -106 | 0 |
| ALLENTOWN | 40 | -75 | 0 |
| AMARILLO | 35 | -101 | 1 |
| ANCHORAGE | 61 | -149 | 1 |
| ATLANTA | 33 | -84 | 1 |
| AUSTIN | 30 | -97 | 0 |
| BAKERSFIELD | 35 | -119 | 0 |
| BALTIMORE | 39 | -76 | 0 |
| BATON ROUGE | 30 | -91 | 0 |
| BEAUMONT | 30 | -94 | 0 |
| BILLINGS | 45 | -108 | 0 |
| BIRMINGHAM | 33 | -86 | 0 |
| BOISE | 43 | -116 | 1 |
| BOISE CITY | 36 | -102 | 1 |
| BOSTON | 42 | -71 | 0 |
| BROWNSVILLE | 25 | -97 | 0 |
| BUFFALO | 42 | -78 | 0 |
| CEDAR RAPIDS | 41 | -91 | 0 |
| CHARLOTTE | 35 | -80 | 0 |
| CHATTANOOGA | 35 | -85 | 1 |
| CHEYENNE | 41 | -104 | 0 |
| CHICAGO | 41 | -87 | 0 |
| CINCINNATI | 39 | -84 | 1 |
| CLEVELAND | 41 | -81 | 0 |
| COLOMBUS | 39 | -82 | 0 |
| COLORADO SPRINGS | 38 | -104 | 0 |
| CORPUS CHRISTI | 27 | -97 | 0 |
| DALLAS | 32 | -96 | 0 |
| DENVER | 39 | -104 | 0 |
| DES MOINES | 41 | -93 | 0 |
| DETROIT | 42 | -83 | 1 |
| DULUTH | 46 | -92 | 0 |
| EL PASO | 31 | -106 | 0 |
| ERIE | 42 | -80 | 0 |
| EUGENE | 44 | -123 | 0 |
| EVANSVILLE | 37 | -87 | 0 |
| FLINT | 43 | -83 | 1 |
| FORT LAUDERDALE | 26 | -80 | 0 |
| FORT WAYNE | 41 | -85 | 1 |
| FRESNO | 36 | -119 | 0 |
| GRAND RAPIDS | 42 | -85 | 1 |
| GREAT FALLS | 47 | -111 | 0 |
| GREENSBORO | 36 | -79 | 0 |
| HAMPTON | 37 | -76 | 0 |
| HARTFORD | 41 | -72 | 0 |
| HONOLULU | 21 | -157 | 0 |
| HOUSTON | 29 | -95 | 0 |
| HUNTSVILLE | 34 | -86 | 0 |
| INDIANAPOLIS | 39 | -86 | 1 |
| JACKSON | 32 | -90 | 0 |
| JACKSONVILLE | 30 | -81 | 0 |
| KANSAS CITY | 39 | -94 | 0 |
| KNOXVILLE | 35 | -83 | 1 |
| LAKESWOOD | 39 | -105 | 0 |
| LANSING | 42 | -84 | 1 |
| LAREDO | 27 | -99 | 1 |
| LAS VEGAS | 36 | -115 | 0 |
| LEXINGTON | 38 | -84 | 1 |
| LINCOLN | 40 | -96 | 0 |
| LITTLE ROCK | 34 | -92 | 0 |
| LONG BEACH | 33 | -118 | 0 |
| LOS ANGELES | 34 | -118 | 0 |

| États-Unis | | | |
|------------------|-----|------|----|
| VILLE | LAT | LONG | Lc |
| LOUISVILLE | 38 | -85 | 1 |
| LUBBOCK | 33 | -101 | 1 |
| MACON | 32 | -83 | 1 |
| MADISON | 43 | -89 | 0 |
| MEMPHIS | 35 | -90 | 0 |
| MIAMI | 25 | -80 | 0 |
| MILWAUKEE | 43 | -87 | 0 |
| MINNEAPOLIS | 44 | -93 | 0 |
| MOBILE | 30 | -88 | 0 |
| MODESTO | 37 | -120 | 0 |
| MONTGOMERY | 32 | -86 | 0 |
| NASHVILLE | 36 | -86 | 0 |
| NEW ORLEANS | 29 | -90 | 0 |
| NEW YORK | 40 | -74 | 0 |
| NORFOLK | 36 | -76 | 0 |
| OKLAHOMA CITY | 35 | -97 | 0 |
| OMAHA | 41 | -95 | 0 |
| ORLANDO | 28 | -81 | 0 |
| OVERLAND PARK | 38 | -94 | 0 |
| OXNARD | 34 | -119 | 0 |
| PEORIA | 40 | -89 | 0 |
| PHILADELPHIA | 40 | -75 | 0 |
| PHOENIX | 33 | -112 | 0 |
| PITTSBURG | 40 | -79 | 0 |
| PLANO | 33 | -96 | 0 |
| PORTLAND | 45 | -122 | 0 |
| PROVIDENCE | 41 | -71 | 0 |
| RALEIGH | 35 | -78 | 0 |
| RAPID CITY | 44 | -103 | 1 |
| RENO | 39 | -119 | 0 |
| RICHMOND | 37 | -77 | 0 |
| ROANOKE | 37 | -79 | 0 |
| ROCHESTER | 43 | -77 | 0 |
| ROCKFORD | 42 | -89 | 0 |
| SACRAMENTO | 38 | -121 | 0 |
| SALT LAKE CITY | 40 | -111 | 0 |
| SAN ANTONIO | 29 | -98 | 1 |
| SAN DIEGO | 32 | -117 | 0 |
| SAN FRANCISCO | 37 | -122 | 0 |
| SANTA ROSA | 38 | -122 | 0 |
| SAVANNAH | 32 | -81 | 0 |
| SEATTLE | 47 | -122 | 0 |
| SHREVEPORT | 32 | -93 | 0 |
| SOUTH BEND | 41 | -86 | 0 |
| SPOKANE | 47 | -117 | 0 |
| SPRINGFIELD (IL) | 39 | -89 | 0 |
| SPRINGFIELD (MA) | 42 | -72 | 0 |
| SPRINGFIELD (MO) | 37 | -93 | 0 |
| ST. LOUIS | 38 | -90 | 0 |
| SYRACUSE | 43 | -76 | 0 |
| TALLAHASSEE | 30 | -84 | 1 |
| TAMPA | 27 | -82 | 0 |
| TOLEDO | 41 | -83 | 1 |
| TOPEKA | 39 | -95 | 0 |
| TUCSON | 32 | -110 | 0 |
| TULSA | 36 | -95 | 0 |
| VIRGINIA BEACH | 36 | -75 | 0 |
| WACO | 31 | -97 | 0 |
| WASHINGTON DC | 38 | -77 | 0 |
| WICHITA | 37 | -97 | 0 |
| WINSTON-SALEM | 36 | -80 | 0 |
| YONKERS | 40 | -73 | 0 |
| YOUNGSTOWN | 41 | -80 | 0 |

| Mexique | | | |
|---------------|-----|------|----|
| VILLE | LAT | LONG | Lc |
| TIJUANA | 32 | -117 | 0 |
| NOGALES | 31 | -111 | 0 |
| CIUDAD JUAREZ | 31 | -106 | 0 |
| MATAMOROS | 26 | -97 | 0 |
| NUEVO LAREDO | 27 | -99 | 1 |
| MONTERREY | 25 | -100 | 1 |
| CHIHUAHUA | 28 | -106 | 0 |
| MAZATLÁN | 23 | -106 | 0 |
| TAMPICO | 22 | -98 | 1 |
| ZACATECAS | 22 | -102 | 1 |
| LÉON | 21 | -101 | 1 |
| LA PAZ | 24 | -110 | 0 |
| MEXICO CITY | 19 | -99 | 1 |
| PUEBLA | 19 | -98 | 1 |
| GUADALAJARA | 20 | -103 | 1 |
| OAXACA | 17 | -96 | 0 |
| ACAPULCO | 16 | -100 | 1 |
| CANCUN | 21 | -86 | 0 |
| MERIDA | 21 | -89 | 0 |

| Porto Rico | | | |
|------------|-----|------|----|
| VILLE | LAT | LONG | Lc |
| SAN JUAN | 18 | -66 | 0 |

| République Dominicaine | | | |
|------------------------|-----|------|----|
| VILLE | LAT | LONG | Lc |
| SANTO DOMINGO | 18 | -70 | 1 |