

Honeywell Home

TheraPro HR90



ELECTRONIC RADIATOR CONTROLLER

SUBMITTAL SHEET

Job Name	
Engineer	
Mechanical Contractor	
Contractor's P.O. No.	
Representative	
Notes	

Model(s)			
H90	Qty.		Notes
Valve Body	Qty.		Notes
Approval			
Service			
Tag No.			



SPECIFICATIONS

ELECTRICAL DATA	
Power supply	Battery or chargeable batteries
Battery Type	LR6, AA, AM3 2x Alkaline Mignon 1.5V Alternative: 2x Lithium 1.5V 2x NiMH 1.2V chargeable batteries
Backlight display	Text based display 9 characters 1-3/16" x 1-1/32" (BxH)
ENVIRONMENTAL AND STANDARDS	
Environmental temperature	32 to 122 °F (0 to +50 °C)
Storage temperature	-4 to 131 °F (-20 to +55 °C)
Humidity	0-90% RH
TEMPERATURE CONTROL	
Internal Sensor	NTC
MECHANICAL DATA	
Dimensions (HxWxD)	2-23/64" x 2-1/8" x 3-25/32"
Material	PC
IP Class	IP 30
Valve connection	M30 x 1.5
Stroke Range	4 mm
Full Stroke Cycle	1.1mm
OPTION	
Copy cable	ACC90*
CERTIFICATION	
Standards	CE Konformität, RoHS

* The Resideo ACC90 cable must be used to copy programs. Use of any other cable may damage the device.

APPLICATION

The TheraPro HR90 is a 7-day programmable electronic radiator controller used for standalone temperature control of a radiator. For use with hot water and steam systems.

FEATURES

- Adjustable, Backlit display
- Operation/Child Lock
- 7-day "arm-chair" programming
- Auto frost protection
- Party/Holiday Mode
- 3 Factory pre-settings
- Temperature limitation min/max
- Temperature-Offset
- Copy programs between multiple controllers
- Fail-safes open
- 2-3 year average battery life
- Secure locking screw to radiator valve

ENERGY SAVINGS

The TheraPro HR90 helps keep heating costs under control. It automatically regulates the heating valve via electronic time programs and can be programmed according to a daily routine. The device also comes with an ECO saving mode which lowers the ambient temperature by 5 °F to reduce energy consumption.



33-00091-05

MOUNTING COMPATABILITY

The TheraPro HR90 can be mounted on all common thermostatic valves with a M30x1.5 connection without draining system. It is fully compatible with Resideo M30x1.5 and Danfoss RA2000 valve bodies. (See Table 1 for details on Resideo M30x1.5 valves.) Adapters are required for some valve types.

Table 1. Resideo M30x1.5 Valves.

Part Number	Pipe Size	Body Pattern	Connection Type	Dimensions
V2040ASL15	1/2"	Horizontal Angle	Threaded	Fig. 1
V2040ASL20	3/4"	Horizontal Angle	Threaded	Fig. 1
V2040ASL25	1"	Horizontal Angle	Threaded	Fig. 1
V2040DSL15	1/2"	Straight	Threaded	Fig. 2
V2040DSL20	3/4"	Straight	Threaded	Fig. 2
V2040DSL25	1"	Straight	Threaded	Fig. 2
V2040ESL15	1/2"	Angle	Threaded	Fig. 3
V2040ESL20	3/4"	Angle	Threaded	Fig. 3
V2040ESL25	1"	Angle	Threaded	Fig. 3

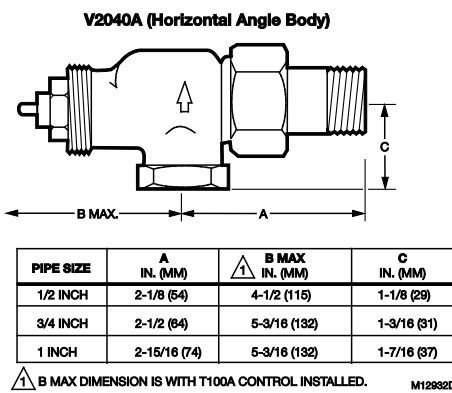


Fig. 1. V2040A Dimensions.

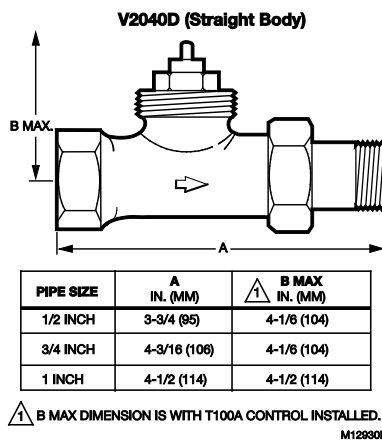


Fig. 2. V2040D Dimensions.

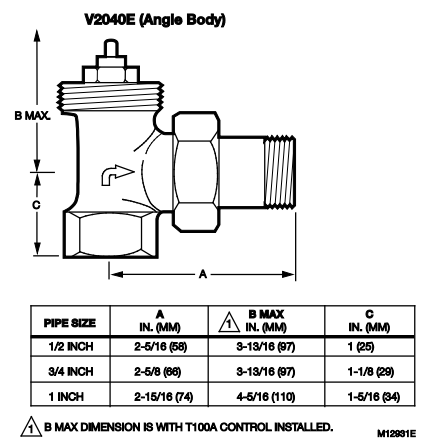


Fig. 3. V2040E Dimensions.

EASY TO INSTALL

The TheraPro HR90 radiator thermostat can be easily installed on all standard radiator valves with an M30 x 1.5 connection, without causing any soiling or water stains. Ready to go in a few steps:

1. Insert battery.
2. Set language, time and date.
3. Remove old thermostat cap.
4. Mount adapter if necessary.
5. Mount valve attachment.

By using this Resideo literature, you agree that Resideo will have no liability for any damages arising out of your use or modification to, the literature. You will defend and indemnify Resideo, its affiliates and subsidiaries, from and against any liability, cost, or damages, including attorneys' fees, arising out of, or resulting from, any modification to the literature by you.



Resideo Technologies, Inc.
1985 Douglas Drive North, Golden Valley, MN 55422
1-800-468-1502
33-00091—05 M.S. Rev. 04-21 | Printed in United States