

# TrueZONE EARD Series Dampers

## SUBMITTAL SHEET

Job Name					
Engineer	EARD6TZ/U	Qty.		Notes	
Mechanical Contractor	EARD8TZ/U	Qty.		Notes	
Contractor's P.O. No.	Approval				
Representative	Service				
Notes	Tag No.				



## SPECIFICATIONS

### IMPORTANT

The specifications given in this publication do not include normal manufacturing tolerances. Therefore, this unit may not exactly match the listed specifications. Also, this product is tested and calibrated under closely controlled conditions, and some minor differences in performance can be expected if those conditions are changed.

## APPLICATION

The EARD is a round damper with a 24 Vac powered-open/spring-closed motor. It is used for fresh air intake for Ventilation or for combustion makeup air.

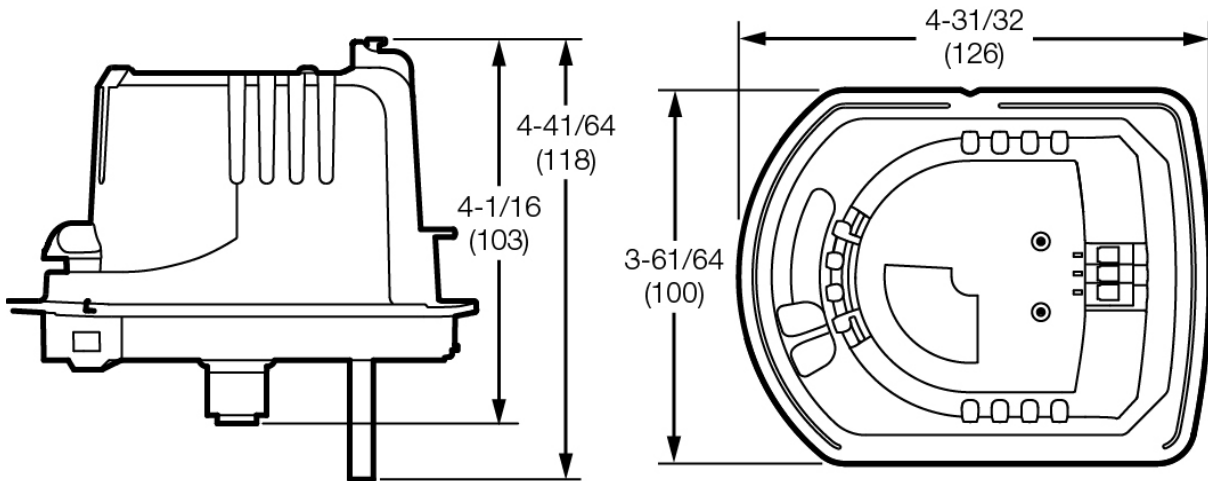
## FEATURES

- Taping flange and non-interfering set screw
- High Temperature outer plastic for hot environments
- Redesigned all Metal Drive Train Gears
- Front facing display with LED indication light for Open and Close
- Adjustable damper open position range stops
- Quiet operation
- Shipped as power open/spring return closed damper
- Blade closes off tightly against gasket for minimal leakage
- Galvanized steel
- Rated to operate up to 1 in. wc
- Simple, easy-to-wire, two-wire installation
- Male (crimped) and female (uncrimped) ends to connect to any rigid or flexible round duct.

MOTOR AND DAMPER DATA	
Motor Electrical Rating	24 Vac, 60 HZ, 8VA
Motor Electrical Connection	Push terminals. Solid (not stranded) wire is recommended
Motor Nominal Angular Rotation	90°
Motor Torque	Minimum 71 in.-Oz (500 millinewton meters) output torque available when motor is energized and device is at the spring return initial start position.
Nominal Motor timing at 77°F (25°C) Ambient	Energized at rated load: 30 seconds De-energized (spring return): 10 seconds
Motor Ambient Temperature Rating	40° to 140°F (5° to 60°F)
Leakage	Less than 1% at 1/2 in. wc.
Pressure Drop	Maximum at full open: 0.0329 in. wc at 800 ft/min.
Maximum Static Pressure	1 in. wc.
Motor Shaft Rotation Direction	Clockwise, when energized and viewed from base or shaft end.
Motor Mounting Means	Direct connection to damper shaft.
Motor Mounting Position	Multi-poise
Motor Dimensions	See Fig. 1.
CONSTRUCTION	
Frame	Galvanized steel spiral duct.
Sizes	6- and 8- inch diameter sizes.



## DIMENSIONS



M35186

Fig. 1. M847D-VENT/U Dimensions.