



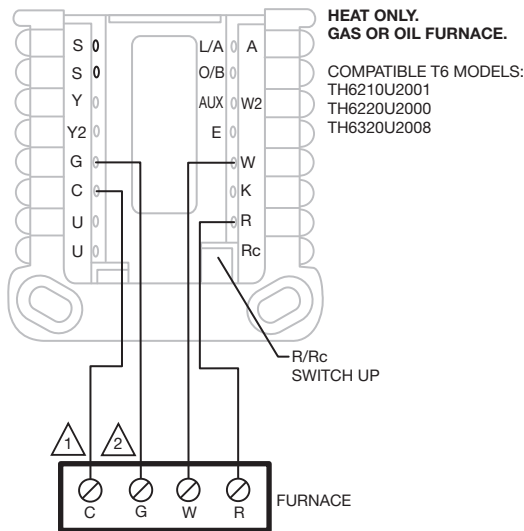
T6 PRO Wiring Diagrams

ADDENDUM

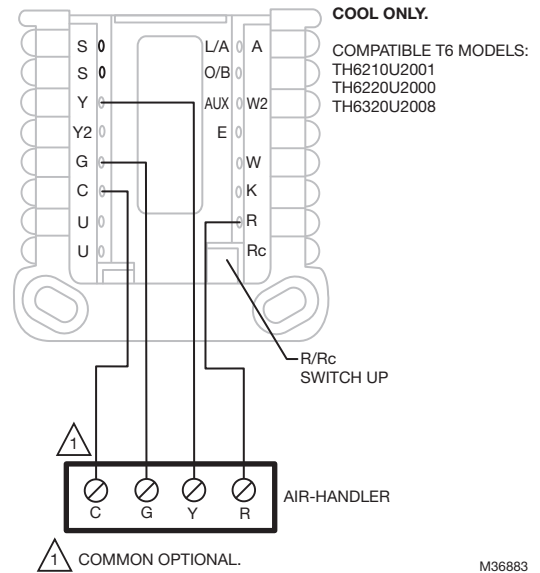
WIRING DIAGRAMS

Cool Only

Heat Only: Gas or Oil Furnace



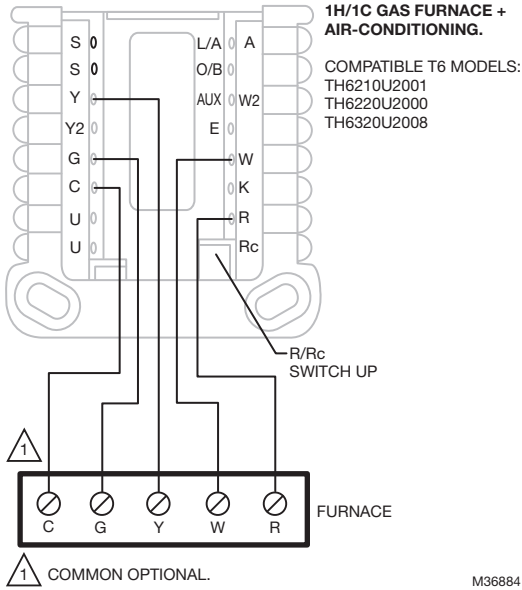
- 1 COMMON OPTIONAL.
 - 2 G USED FOR INDEPENDENT FAN CONTROL ONLY. MOST HEAT ONLY, GAS OR OIL FORCED AIR SYSTEMS DO NOT USE A FAN (G) WIRE.
- M36882



M36883

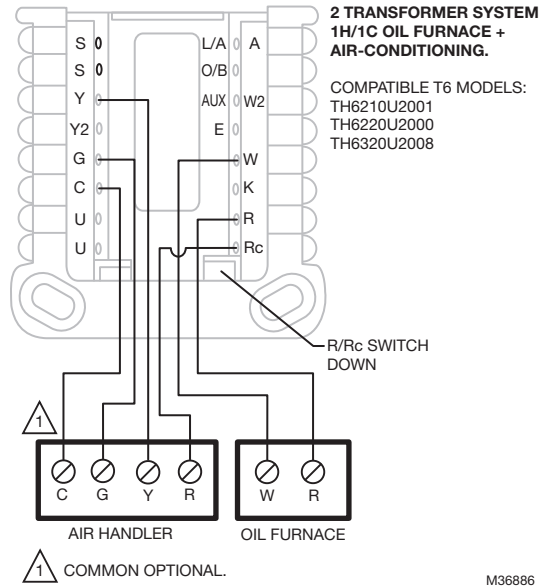


1H/1C: Gas Furnace



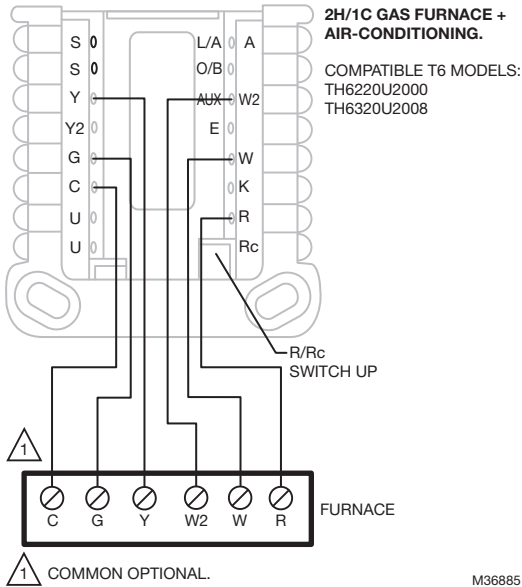
M36884

2 Transformer System, 1H/1C: Oil Furnace



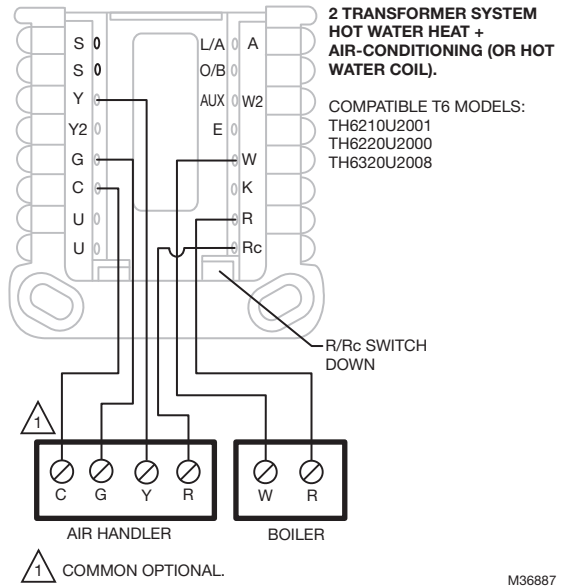
M36886

2H/1C: Gas Furnace



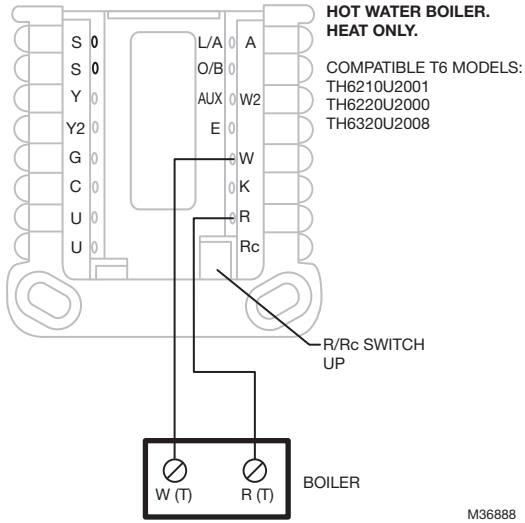
M36885

2 Transformer System, Hot Water Heat with Air-Conditioning (or Hot Water Coil)

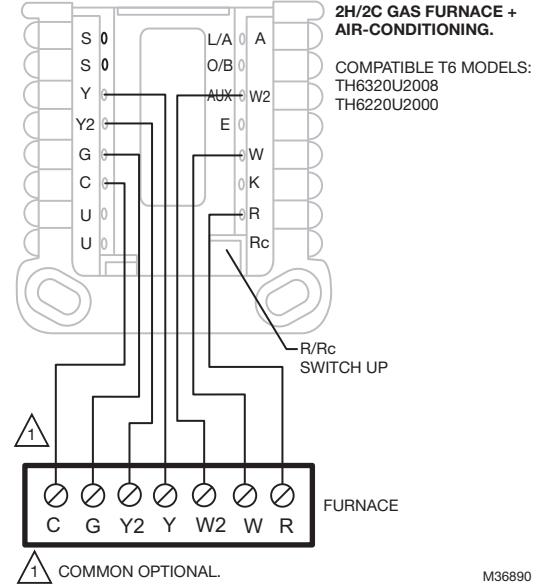


M36887

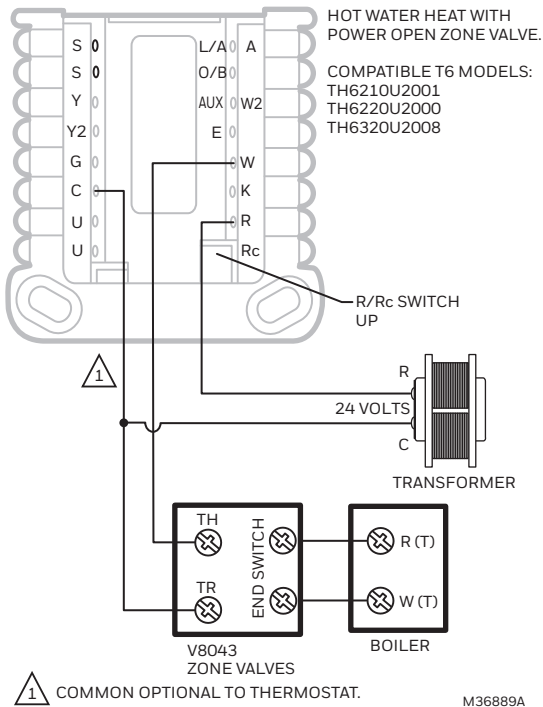
Hot Water Boiler, Heat Only



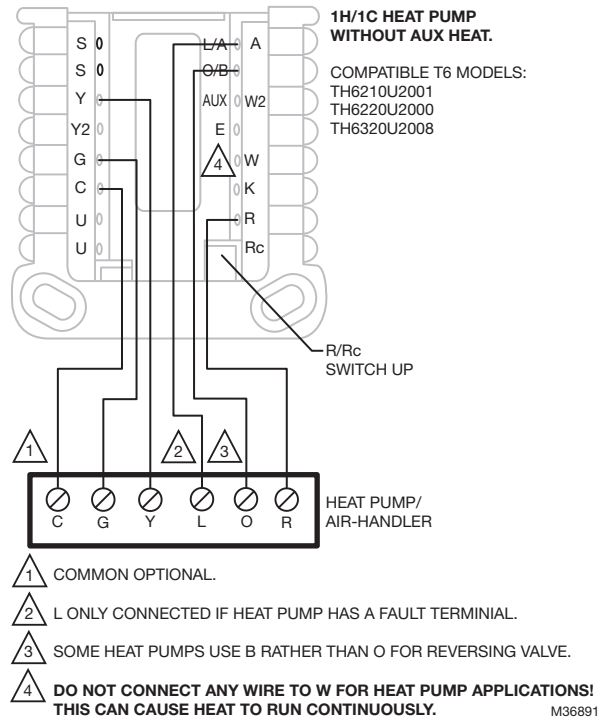
2H/2C: Gas Furnace



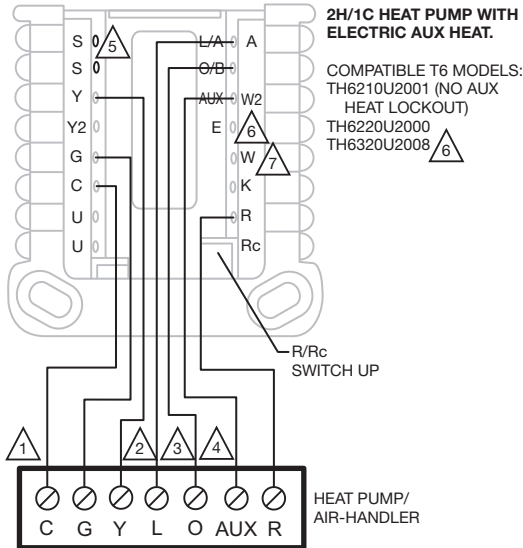
Hot Water Heat with Power Open Zone Valve



1H/1C: Heat Pump without Aux Heat

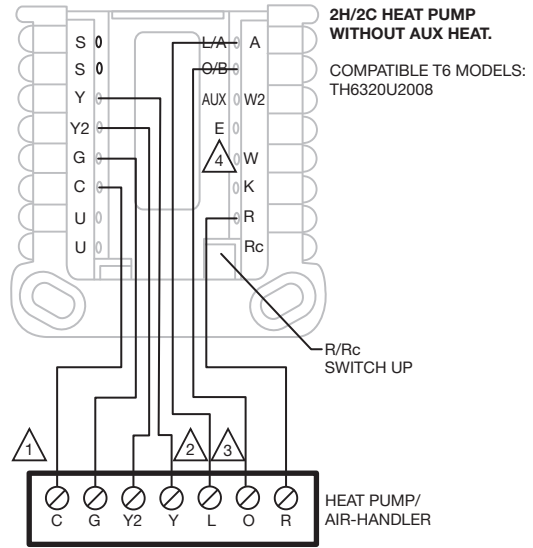


2H/1C: Heat Pump with Electric Aux Heat



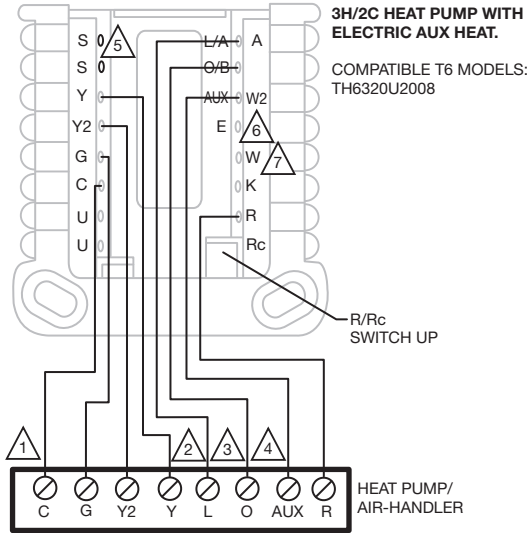
- 1 COMMON OPTIONAL.
 - 2 L ONLY CONNECTED IF HEAT PUMP HAS A FAULT TERMINAL.
 - 3 SOME HEAT PUMPS USE B RATHER THAN O FOR REVERSING VALVE.
 - 4 DIFFERENT HEAT PUMP MODELS LABEL THE AUXILIARY HEAT TERMINAL DIFFERENTLY THAN SHOWN. CONSULT HEAT PUMP WIRING GUIDE.
 - 5 IF LOCKOUT OF AUX HEAT ON HIGH OUTDOOR TEMPERATURE IS REQUIRED, WIRE C7089U1006 TO THE TWO "S" TERMINALS. TH6210U MODEL CANNOT DO AUX HEAT LOCKOUT.
 - 6 MOST HEAT PUMPS SHARE THE SAME SET OF HEAT STRIPS FOR AUX AND EM HEAT. IN THOSE CASES E ISN'T USED. THE TH6320U2008 MODEL CAN BE CONFIGURED FOR SEPARATE AUX AND E. IF THIS IS DONE, WIRE ONE SET OF STRIPS TO E TO BE ENERGIZED IN EM HEAT AND A DIFFERENT SET OF STRIPS TO AUX TO BE ENERGIZED IN AUX HEAT.
 - 7 **DO NOT CONNECT ANY WIRE TO W FOR HEAT PUMP APPLICATIONS! THIS CAN CAUSE HEAT TO RUN CONTINUOUSLY.**
- M36892

2H/2C: Heat Pump without Aux Heat



- 1 COMMON OPTIONAL.
 - 2 L ONLY CONNECTED IF HEAT PUMP HAS A FAULT TERMINAL.
 - 3 SOME HEAT PUMPS USE B RATHER THAN O FOR REVERSING VALVE.
 - 4 **DO NOT CONNECT ANY WIRE TO W FOR HEAT PUMP APPLICATIONS! THIS CAN CAUSE HEAT TO RUN CONTINUOUSLY.**
- M37352

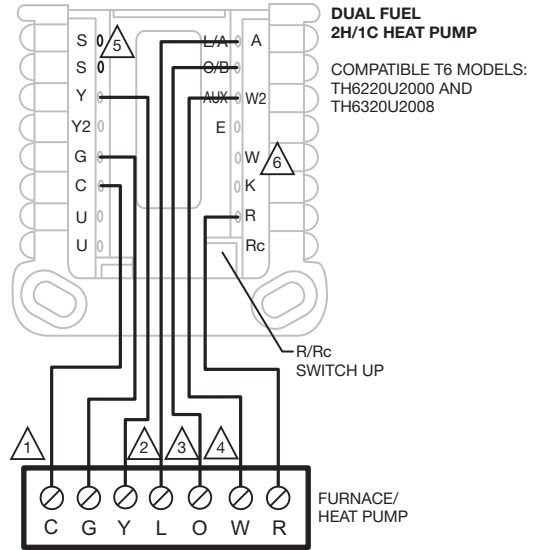
3H/2C Heat Pump with Electric Aux Heat



- 1 COMMON OPTIONAL.
- 2 L ONLY CONNECTED IF HEAT PUMP HAS A FAULT TERMINAL.
- 3 SOME HEAT PUMPS USE B RATHER THAN O FOR REVERSING VALVE.
- 4 DIFFERENT HEAT PUMP MODELS LABEL THE AUXILIARY HEAT TERMINAL DIFFERENTLY THAN SHOWN. CONSULT HEAT PUMP WIRING GUIDE.
- 5 IF LOCKOUT OF AUX HEAT ON HIGH OUTDOOR TEMPERATURE IS REQUIRED, WIRE C7089U1006 TO THE TWO "S" TERMINALS.
- 6 MOST HEAT PUMPS SHARE THE SAME SET OF HEAT STRIPS FOR AUX AND EM HEAT. IN THOSE CASES E ISN'T USED. THE TH6320U2008 MODEL CAN BE CONFIGURED FOR SEPARATE AUX AND E. IF THIS IS DONE, WIRE ONE SET OF STRIPS TO E TO BE ENERGIZED IN EM HEAT AND A DIFFERENT SET OF STRIPS TO AUX TO BE ENERGIZED IN AUX HEAT.
- 7 **DO NOT CONNECT ANY WIRE TO W FOR HEAT PUMP APPLICATIONS! THIS CAN CAUSE HEAT TO RUN CONTINUOUSLY.**

M37353

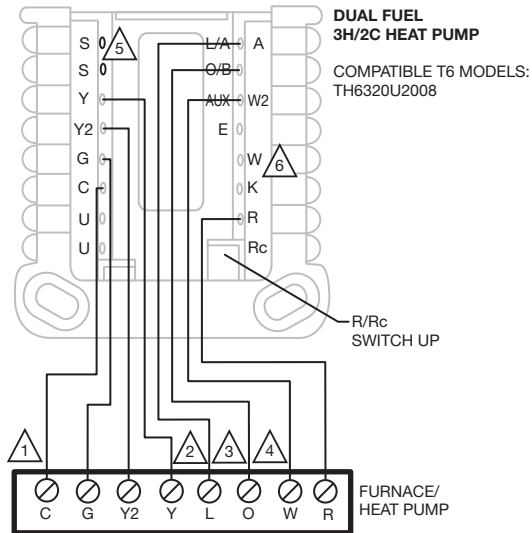
Dual Fuel, 2H/1C: Heat Pump



- 1 COMMON OPTIONAL.
- 2 L ONLY CONNECTED IF HEAT PUMP HAS A FAULT TERMINAL.
- 3 SOME HEAT PUMPS USE B RATHER THAN O FOR REVERSING VALVE.
- 4 THE HEAT PUMP AND FURNACE HAVE SEPARATE BOARDS. WE SHOW THEM TOGETHER TO SIMPLIFY THE DIAGRAM. W IS FROM THE FURNACE BOARD.
- 5 WIRE C7089U1006 TO THE TWO "S" TERMINALS.
- 6 **DO NOT CONNECT ANY WIRE TO W FOR HEAT PUMP APPLICATIONS! THIS CAN CAUSE HEAT TO RUN CONTINUOUSLY.**

M37355A

Dual Fuel, 3H/2C: Heat Pump



- 1 COMMON OPTIONAL.
- 2 L ONLY CONNECTED IF HEAT PUMP HAS A FAULT TERMINAL.
- 3 SOME HEAT PUMPS USE B RATHER THAN O FOR REVERSING VALVE.
- 4 THE HEAT PUMP AND FURNACE HAVE SEPARATE BOARDS. WE SHOW THEM TOGETHER TO SIMPLIFY THE DIAGRAM. W IS FROM THE FURNACE BOARD.
- 5 WIRE C7089U1006 TO THE TWO "S" TERMINALS.
- 6 **DO NOT CONNECT ANY WIRE TO W FOR HEAT PUMP APPLICATIONS! THIS CAN CAUSE HEAT TO RUN CONTINUOUSLY.**

M37356A



resideo

www.resideo.com

Resideo Technologies, Inc.
1985 Douglas Drive North, Golden Valley, MN 55422
1-800-468-1502
33-00323-04 M.S. Rev. 04-21 | Printed in United States