

Honeywell Home

FocusPRO®

P200 & S200 Series Thermostats

Installation Manual

READ BEFORE INSTALLING

Package Includes:

- FocusPRO® P200 or S200 Series Thermostat
- UWP Wall Plate
- Decorative Cover Plate with J-Box Adapter
- Screws and Anchors
- 2 AA Batteries (with P200 models)
- Thermostat Literature

Compatibility (for indoor use only)

TH2110U4004 & TH2110WF4008 models compatible with 24 VAC, single-stage heating and cooling systems including:

- Heat pumps without auxiliary heat.
- Gas/oil/electric forced air
- Single stage cooling
- Radiant Hydronic heat
- Hot water coil
- 750 MV (24 VAC needed at RC & C on S200 models. 750 MV to R and W; see the [Wiring Terminal Designations](#) section)

TH2320U4006 & TH2320WF models compatible with most 24 VAC heating and cooling systems including:

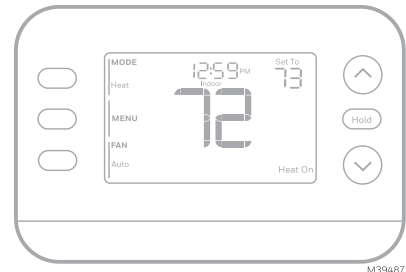
- Heat pumps with 1 or 2 compressor stages and auxiliary heat.
- Dual fuel
- 1 or 2 stage Gas/oil/electric forced air
- 1 or 2 stage cooling
- Radiant Hydronic heat hot water coil
- 750 MV (24 VAC needed at RC & C on S200 models. 750 MV to R and W; see the [Wiring Terminal Designations](#) section)
- S terminals for C7089U1006 wired outdoor sensor (used for Aux Heat lockout or balance point on heat pump systems. Alternatively, smart model can use the app.)

NOTE: Smart models TH2110WF4008 and TH2320WF can use a 2.4 GHZ or 5 GHZ WiFi network.

Introduction

This document discusses the following topics (click to jump to those sections):

- [UWP Wall Plate Installation](#)
- [Power Options](#)
- [Wiring Diagrams](#)
- [Thermostat Mounting](#)
- [Configuration/Settings](#)
- [Adaptive Intelligent Recovery \("Learning" feature\)](#)
- [Compressor Protection](#)
- [Accent Piece Installation/Replacement](#)
- [Troubleshooting](#)
- [Specifications](#)
- [Customer Assistance](#)



TH2110U4004 P200 Programmable
TH2320U4006 P200 Programmable
TH2110WF4008 S200 Smart
TH2320WF4010 S200 Smart
TH2320WF4011 S200 Smart

Contents [\(click to jump to that page\)](#)

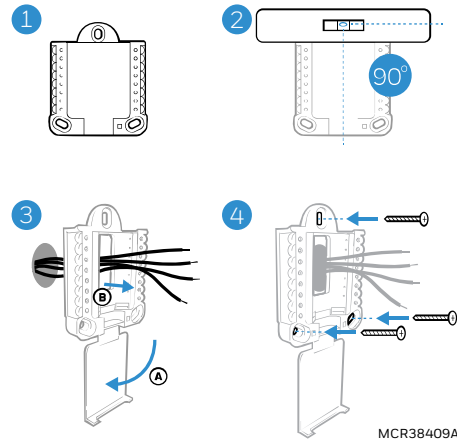
UWP Wall Plate Installation	3
Optional Cover Plate Installation	3
Power options	3
Setting Slider Tabs	4
Wiring terminal designations	4
Wiring Diagrams	5
Heat Only: Gas or Oil Furnace	5
Cool Only	5
Hot Water Boiler, Heat Only	5
1H/1C: Gas Furnace	5
2 Transformer System, 1H/1C: Oil Furnace with Air Conditioning	6
2 Transformer System, Hot Water Heat with Air Conditioning (or Hot Water Coil)	6
2H/1C: Gas Furnace	6
2H/2C: Gas Furnace	6
Hot Water Heat with Power Open Zone Valve	7
Hot Water Heat with Power Open/Power Closed Series 20 Zone Valve	7
1H/1C: Heat Pump without Aux Heat	8
2H/1C: Heat Pump with Electric Aux Heat	8
3H/2C: Heat Pump with Electric Aux Heat	9
Dual Fuel, 2H/1C: Heat Pump	9
Dual Fuel 3H/2C: Heat Pump	10
Thermostat Mounting	11
Configuration and Settings	11
Installer Options	11
Configure the Thermostat	12
Installer Test	16
User Menu Options	16
Set Time and Date	17
System Operation Settings	17
Fan Operation Settings	17
Auto Changeover	18
Alerts	19
Reminders	20
Program Schedule	20
Adjusting program schedules	21
Program schedule override (Temporary)	22
Program schedule override (Permanent)	22
Keypad Lockout	22
Unlocking the Keypad	22
Adaptive Intelligent Recovery	23
Built-in compressor protection	23
Accent Piece Installation/Replacement	24
Battery Replacement (P200 Models Only)	24
Troubleshooting	25
Specifications	26
Electrical Ratings	26
Customer Assistance	27
5-year limited warranty	27

Throughout the document, you will see jumps to different locations in the text. Here is an example:
See [Setting Slider Tabs](#). Click on the text link to go directly to that location.

UWP Wall Plate Installation

If the cover plate is used, the UWP snaps on the cover plate as shown here.

- 1 Before starting, turn the power off at the breaker box or switch. Open the package to find the UWP. See Figure 1.
- 2 Position the UWP on wall. Level and mark hole positions. See Figure 2.
- 3 Using a 3/16" bit, drill holes at marked positions and then lightly tap the supplied wall anchors into the wall using a hammer.
- 4 Pull the door open and insert the wires through wiring hole of the UWP. See Figure 3.
- 5 Place the UWP over the wall anchors. Insert and tighten mounting screws supplied with the UWP. Do not overtighten. Tighten until the UWP no longer moves. Close the door. See Figure 4.



MCR38409A

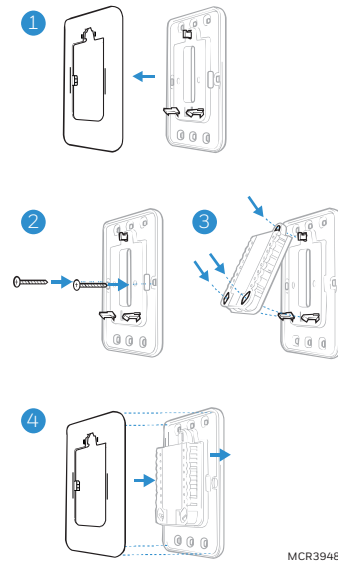
Use 3x supplied #6 1-1/2" screws

Optional Cover Plate Installation

If the Optional Cover Plate is not required, see [UWP Wall Plate Installation](#).

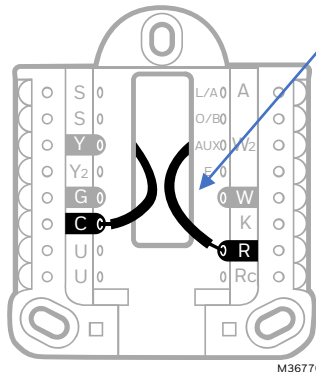
Use the Optional Cover Plate when you need to cover a paint gap from the old thermostat.

- 1 Separate the Cover Plate from Mounting Plate (Figure 1).
- 2 Mount the Mounting Plate on to the wall or J-box using any of the 8 screw holes. Insert and tighten mounting screws supplied with Cover Plate Kit. Do not overtighten. See Figure 2. Make sure the Mounting Plate is level.
- 3 Attach the UWP by hanging it on the top hook of the Mounting Plate and then snapping the bottom of the UWP in place. See Figure 3.
- 4 Snap the Cover Plate onto the Mounting Plate. See Figure 4.



MCR39488

Power options

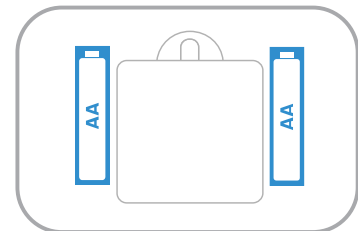


M36776

Insert **R** and **C** wires into designated terminals for AC power. Remove wires by pressing down on the terminal tabs. (C terminal is required for S200 Smart thermostats).

Thermostats using Y and G wires:

If there is no C wire from the previous thermostat or no extra wire in the bundle to the thermostat, you may use the **THP9045A** C-wire adapter (sold separately).



MCR39489

Insert AA batteries for primary or backup power (P200 models only)

For more information on the THP9045A C-wire adapter, go to:

<https://customer.resideo.com/resources/Techlit/TechLitDocuments/33-00000s/33-00618.pdf>

Setting Slider Tabs

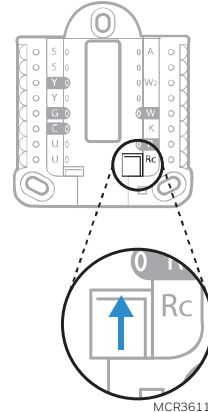
Set R Slider Tab

Use built-in jumper (R Slider Tab) to differentiate between one or two transformer systems.

- If there is only one R wire, and it is connected to the R, Rc, or RH terminal, set the slider to the up position (1 wire).
- If there is one wire connected to the R terminal and one wire connected to the Rc terminal, set the slider to the down position (2 wires).

Slider Tabs for U terminals should be left in place for FocusPRO® P200 and S200 series models.

UWP Wall Plate



R/Rc slider tab

Wiring terminal designations

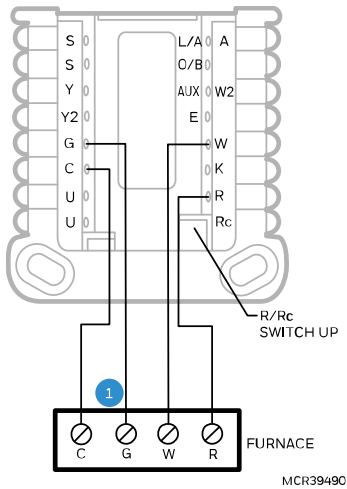
S	C7089U1006 wired outdoor sensor. (TH2320U4006 and TH2320WF models only)	L/A - A	Heat Pump fault input	
S		O/B	Changeover valve	
Y	Compressor contactor (stage 1)	AUX -W2	Auxiliary heat Heat (stage 2) (TH2320U4006 and TH2320WF models only)	<p>MCR39537</p> <p>The most commonly used terminals are shaded in the illustration above.</p>
Y2	Compressor contactor (stage 2) (TH2320U4006 and TH2320WF models only)	E	Emergency Heat (TH2320U4006 and TH2320WF models only)	
G	Fan	W	Heat (stage 1)	
C	24VAC common. For 2-transformer systems, use Common wire from cooling transformer.	K	To THP9045A C-Wire adapter if needed (S200 or P200)	
U	Not used on these models	R	24VAC power from heating transformer*	
U		Rc	24VAC power from cooling transformer*	

* Terminal can be jumped using Slider Tab. See [Setting Slider Tabs](#).

Wiring Diagrams

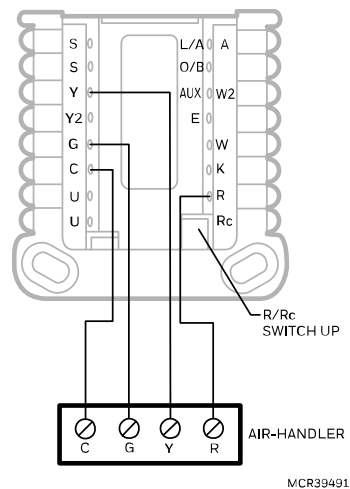
Heat Only: Gas or Oil Furnace

Compatible models: All P200 & S200



Cool Only

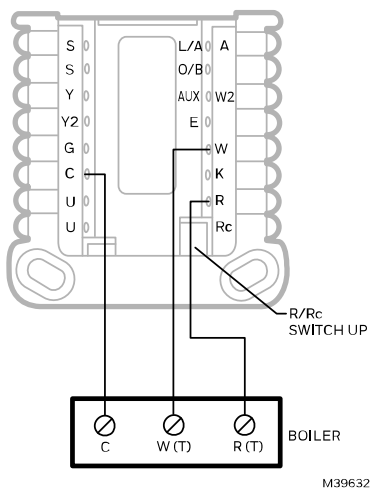
Compatible models: All P200 & S200



1: **G** USED FOR INDEPENDENT FAN CONTROL ONLY. (MOST **HEAT ONLY, GAS OR OIL FORCED AIR SYSTEMS** DO NOT USE A FAN [G] WIRE)

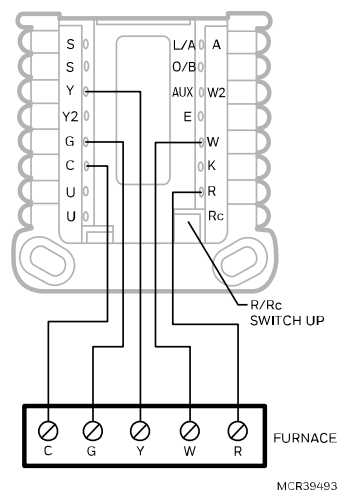
Hot Water Boiler, Heat Only

Compatible models: All P200 & S200

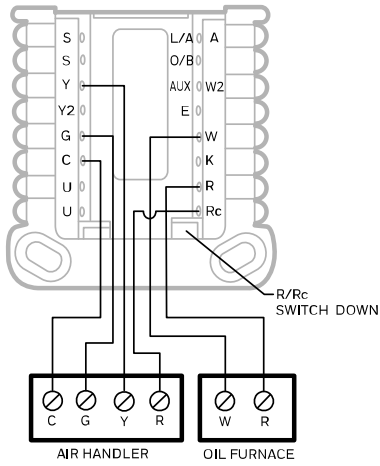


1H/1C: Gas Furnace

Compatible models: All P200 & S200

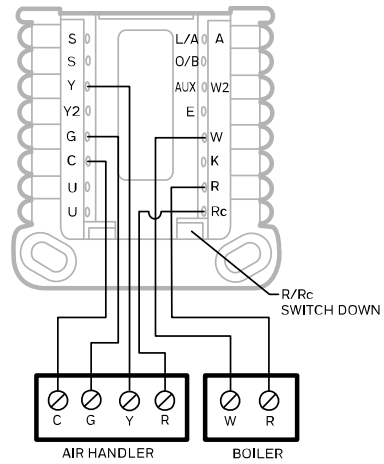


2 Transformer System, 1H/1C: Oil Furnace with Air Conditioning
 Compatible models: All P200 & S200



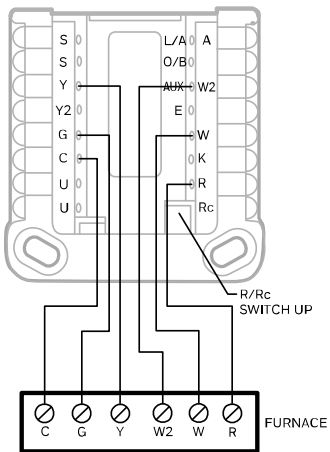
MCR39494

2 Transformer System, Hot Water Heat with Air Conditioning (or Hot Water Coil)
 Compatible models: All P200 & S200



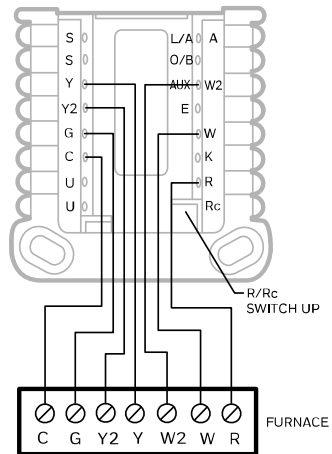
MCR39495

2H/1C: Gas Furnace
 Compatible model: TH2320 models only



MCR39496

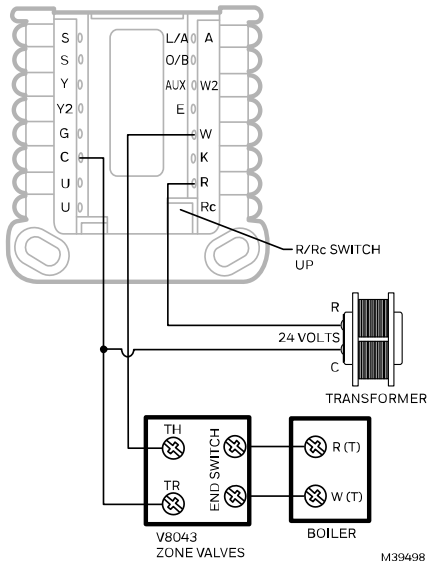
2H/2C: Gas Furnace
 Compatible model: TH2320 models only



MCR39497

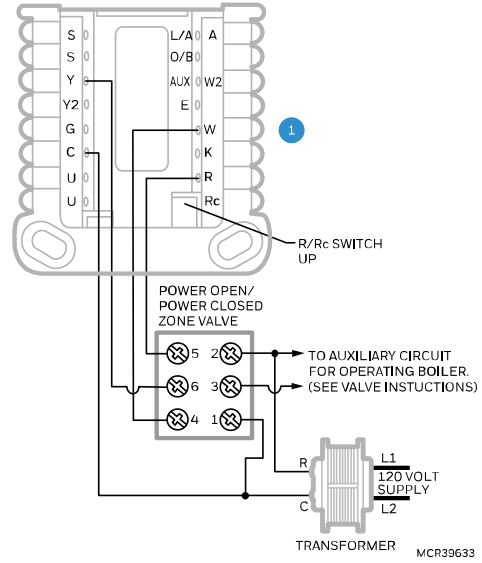
Hot Water Heat with Power Open Zone Valve

Compatible models: All P200 & S200



Hot Water Heat with Power Open/Power Closed Series 20 Zone Valve

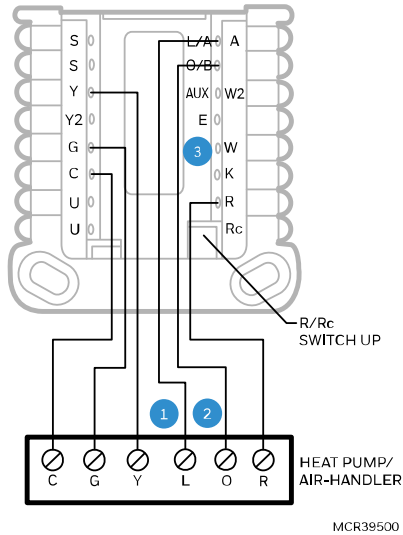
Compatible models: All P200 & S200



1: THERMOSTAT MUST BE CONFIGURED FOR RADIANT HEAT WITH 0 (ZERO) COOL STAGES

1H/1C: Heat Pump without Aux Heat

Compatible models: All P200 & S200

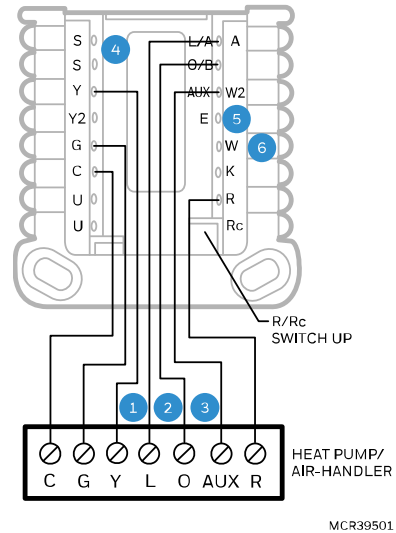


MCR39500

- 1: L ONLY CONNECTED IF HEAT PUMP HAS A FAULT TERMINAL
- 2: SOME HEAT PUMPS USE **B** RATHER THAN **O** FOR REVERSING VALVE
- 3: **IMPORTANT: DO NOT CONNECT ANY WIRE TO W FOR HEAT PUMP APPLICATIONS! THIS CAN CAUSE HEAT TO RUN CONTINUOUSLY**

2H/1C: Heat Pump with Electric Aux Heat

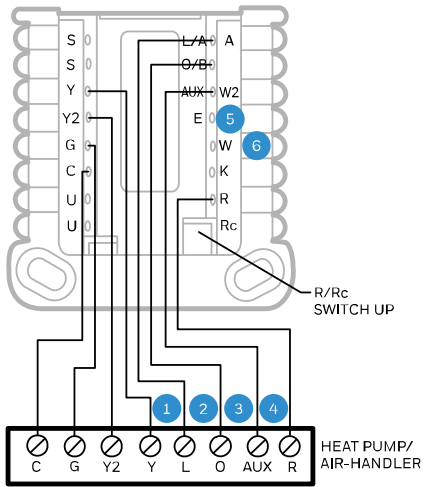
Compatible model: TH2320 models only



MCR39501

- 1: L IS ONLY CONNECTED IF HEAT PUMP HAS A FAULT TERMINAL
- 2: SOME HEAT PUMPS USE **B** RATHER THAN **O** FOR REVERSING VALVE
- 3: DIFFERENT HEAT PUMP MODELS MAY LABEL THE AUXILIARY HEAT TERMINAL DIFFERENTLY THAN SHOWN. CONSULT HEAT PUMP WIRING GUIDE
- 4: C7089U1006 WIRED OUTDOOR SENSOR CAN BE USED FOR BALANCE POINT AND AUX HEAT LOCKOUT IF DESIRED
- 5: MOST HEAT PUMPS SHARE THE SAME SET OF HEAT STRIPS FOR **AUX** AND **EM HEAT**. IN THESE CASES, **E** IS NOT USED. TH2320 MODELS CAN BE CONFIGURED FOR SEPARATE **AUX** AND **E**. IN THIS SITUATION, WIRE ONE SET OF STRIPS TO **E** TO BE ENERGIZED IN **EM HEAT** AND A DIFFERENT SET OF STRIPS TO **AUX** TO BE ENERGIZED IN **AUX HEAT**.
- 6: **IMPORTANT: DO NOT CONNECT ANY WIRE TO W FOR HEAT PUMP APPLICATIONS! THIS CAN CAUSE HEAT TO RUN CONTINUOUSLY.**

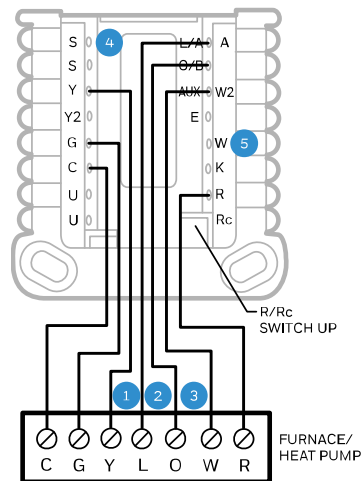
3H/2C: Heat Pump with Electric Aux Heat
Compatible model: TH2320 models only



MCR39502

- 1: **L** ONLY CONNECTED IF HEAT PUMP HAS A FAULT TERMINAL.
- 2: SOME HEAT PUMPS USE **B** RATHER THAN **O** FOR REVERSING VALVE.
- 3: DIFFERENT HEAT PUMP MODELS LABEL THE AUXILIARY HEAT TERMINAL DIFFERENTLY THAN SHOWN. CONSULT HEAT PUMP WIRING GUIDE.
- 4: C7089U1006 WIRED OUTDOOR SENSOR CAN BE USED FOR BALANCE POINT AND AUX HEAT LOCKOUT IF DESIRED.
- 5: MOST HEAT PUMPS SHARE THE SAME SET OF HEAT STRIPS FOR **AUX** AND **EM HEAT**. IN THESE CASES, **E** IS NOT USED. TH2320 MODELS CAN BE CONFIGURED FOR SEPARATE **AUX** AND **E**. IN THIS SITUATION, WIRE ONE SET OF STRIPS TO **E** TO BE ENERGIZED IN **EM HEAT** AND A DIFFERENT SET OF STRIPS TO **AUX** TO BE ENERGIZED IN **AUX HEAT**.
- 6: **IMPORTANT: DO NOT CONNECT ANY WIRE TO W FOR HEAT PUMP APPLICATIONS! THIS CAN CAUSE HEAT TO RUN CONTINUOUSLY.**

Dual Fuel, 2H/1C: Heat Pump
Compatible model: TH2320 models only

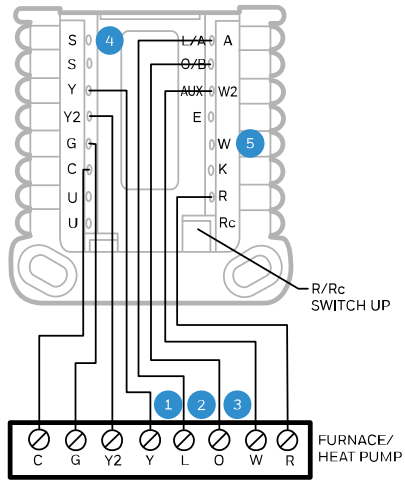


MCR39503

- 1: **L** ONLY CONNECTED IF HEAT PUMP HAS A FAULT TERMINAL.
- 2: SOME HEAT PUMPS USE **B** RATHER THAN **O** FOR REVERSING VALVE.
- 3: THE HEAT PUMP AND FURNACE HAVE SEPARATE BOARDS. THEY ARE SHOWN TOGETHER HERE TO SIMPLIFY THIS DIAGRAM. **W** IS FROM THE FURNACE BOARD.
- 4: C7089U1006 WIRED OUTDOOR SENSOR CAN BE USED FOR BALANCE POINT IF DESIRED.
- 5: **IMPORTANT: DO NOT CONNECT ANY WIRE TO W FOR HEAT PUMP APPLICATIONS! THIS CAN CAUSE HEAT TO RUN CONTINUOUSLY.**

Dual Fuel 3H/2C: Heat Pump

Compatible model: TH2320 models only

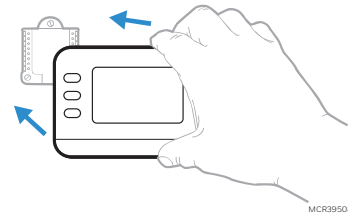


MCR39504

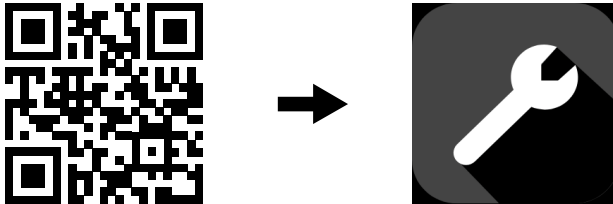
- 1: L ONLY CONNECTED IF HEAT PUMP HAS A FAULT TERMINAL.
- 2: SOME HEAT PUMPS USE **B** RATHER THAN **O** FOR REVERSING VALVE.
- 3: THE HEAT PUMP AND FURNACE HAVE SEPARATE BOARDS. THEY ARE SHOWN TOGETHER HERE TO SIMPLIFY THIS DIAGRAM. **W** IS FROM THE FURNACE BOARD.
- 4: C7089U1006 WIRED OUTDOOR SENSOR CAN BE USED FOR BALANCE POINT IF DESIRED.
- 5: **IMPORTANT: DO NOT CONNECT ANY WIRE TO W FOR HEAT PUMP APPLICATIONS! THIS CAN CAUSE HEAT TO RUN CONTINUOUSLY.**

Thermostat Mounting

1. Push excess wire back into the wall opening.
2. Close the UWP door. It should remain closed without bulging.
3. Align the UWP with the thermostat and push gently until the thermostat snaps into place.
4. Turn the power on at the breaker box or switch.



S200 Series: Scan to download **Resideo Pro** app



S200 Smart thermostats can be set up using the Resideo Pro app.

Configuration and Settings

Installer Options

For S200 Smart models: After initial setup is complete, the thermostat will ask if you wish to perform setup on the device or by using the app.

If you select **Using App** open the Resideo Pro app and follow the instructions.

If you choose **On Device** follow the steps outlined below in the next section "Configure the Thermostat".

If entering the installer menu after initial setup, follow the steps below:

1. Press and **hold** the bottom left button and Up arrow button for 5 seconds to access **INSTALLER MENU**
2. Press **↑** or **↓** to cycle through **INSTALLER MENU** options. When the menu option you want to adjust is displayed, press **SELECT**.

Installer Menu Options

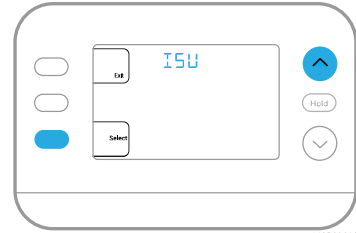
- **ISU**- Installer Setup options
- **TEST**- Installer Test options.
- **INFO**- Displays a code used by the Resideo technical support team when needed.
- **RSET**- Reset options. **Reset Schedule**, **WiFi** (S200) or **Perform a Factory Reset**
- **REV**- STAT: Displays thermostat's Firmware version. WiFi: Displays WiFi version.

To return to the Home screen, press the **EXIT** button (upper left) or wait for the thermostat to time out.

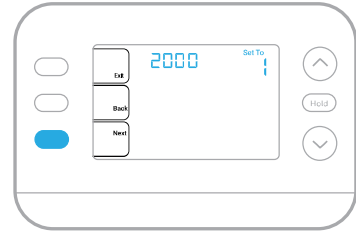
Configure the Thermostat

On initial setup, the thermostat will go to the ISU menu. **S200** models will ask if you wish to perform setup on the device or by using the app. If entering the ISU menu on the device after initial setup, follow the steps below:

1. Press and **hold** the bottom left button and Up arrow **↑** button for 5 seconds to access the **INSTALLER MENU**
2. Press **↑** or **↓** to cycle through **INSTALLER MENU** options. When **ISU** is displayed, press **SELECT**.
3. The display shows the **ISU number** on the left and the **ISU setting** on the right.
When an **ISU number** is displayed, press **↑** or **↓** to change the setting for that ISU.
4. After choosing the correct setting for an ISU, press **NEXT** to advance to the next ISU setting.
5. To finish setup, press the **SAVE & EXIT** button; this will save your settings and return to the Home screen.



MCR39612



MCR39505

Installer Setup Options (ISU)

Depending on system settings, not all options may be available		
#ISU	ISU Name	ISU Options (factory defaults are in bold)
1040	Scheduling options (Schedule can be turned on or off by the user under Menu > Schedule)	1 = 1 week (all days the same) 2 = 5-2 Programmable (separate weekdays and weekend) 3 = 5-1-1 Programmable (separate Saturday and Sunday) 4 = 7-Day Programmable (each day separate)
1050	Temperature Indication Scale	F = Fahrenheit C = Celsius
1060	Outdoor Sensor (TH2320 models only)	0 = None 1 = Wired Outdoor Sensor 2 = Internet Weather (TH2320WF)
2000	Heating System Type	1 = Conventional Forced Air Heat 2 = Heat Pump 3 = Radiant Heat 5 = None (Cool Only)
2010	Heating Equipment Type	<i>Conventional Forced Air Heat:</i> 1 = Standard Efficiency Gas Forced Air 2 = High Efficiency Gas Forced Air 3 = Oil Forced Air 4 = Electric Forced Air 5 = Hot Water Fan Coil <i>Heat Pump:</i> 7 = Air to Air Heat Pump 8 = Geothermal Heat Pump <i>Radiant Heat:</i> 9 = Hot Water Radiant Heat 12 = Steam
2060	Reversing Valve O/B	0 = O (O/B on Cool. O wire is connected to the O/B terminal and controls cooling.) 1=B (O/B on Heat. B wire is connected to the O/B terminal and controls heat.) The literature that came with your pump equipment should indicate whether the reversing valve is energized in Heat or Cool mode.

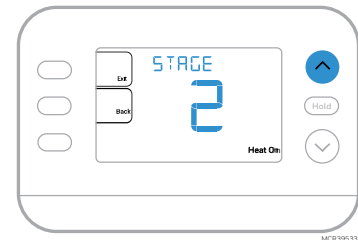
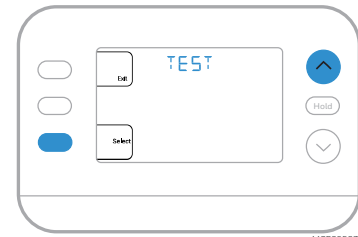
#ISU	ISU Name	ISU Options (factory defaults are in bold)
2070	Compressor Stages	0, 1 , 2 Only 1 compressor stage available on TH2110 models
2071	Heat Stages/Backup Heat Stages	Heat Stages: 1 , 2 Backup Heat Stages: 0, 1 (TH2320 models only)
2110	Fan Control in Heat (Only shown if 2010 = 4 or 5)	1 = Equipment Controls Fan 2 = Thermostat Controls Fan
2175	Aux/E terminal control (TH2320 models only)	0 = Drive both Aux & E together 1 = Aux and E independent
2180	Backup Heat Source (Heat Pump Only) (TH2320 models only)	31 = Electric Forced Air 32 = Standard Efficiency Gas Forced Air 33 = High Efficiency Gas Forced Air
2185	Emergency Heat Source (TH2320 models only)	34 = Oil Forced Air, Hot Water Fan Coil 35 = Hot Water Radiant Heat 36 = Other
3000	System Changeover	0 = Hidden (Manual only) 1 = Enabled (Automatic available. In auto mode, the thermostat automatically switches between heating and cooling to maintain the desired indoor temperature. This option is not recommended if the outdoor temperature often stays below 50°F [10°C] during winter months.)
3015	Auto Changeover Differential	0 °F to 5 °F 0.0 °C to 2.5 °C <i>The Differential setting is the minimum number of degrees from set-point needed to switch from the last mode running (Heat or Cool) to the opposite mode when the thermostat is in auto-changeover.</i>
3020	Finish With High Heat Stage	0 = No 1 = Yes (TH2320 models only)
3021	Finish With High Cool Stage	0 = No 1 = Yes (TH2320 models only)
3090	Backup Heat Droop	[0] = Comfort 2 °F to 15 °F (in 1 °F increments) 1.0 °C to 7.5 °C (in 0.5 °C increment) 0 (comfort) setting only available if Backup Heat (ISU 2180) is set to Electric. (TH2320 only)
3110	Upstage Timer for Backup Heat (If 3090 = 0 and 2180 = 31, 3110 only has settings 0-3)	0 = Off 1 = 30 minutes 2 = 45 minutes 3 = 60 minutes 4 = 75 minutes 5 = 90 minutes 6 = 2 hours 7 = 3 hours 8 = 4 hours 9 = 5 hours 10 = 6 hours 11 = 8 hours 12 = 10 hours 13 = 12 hours 14 = 14 hours 15 = 16 hours
3120	Compressor Lockout / Balance Point (TH2320 models only) (1060 needs to be set to 1 or 2)	Off -15°F to 60°F (in 5°F increments) -26.0°C to 15.5°C (in 2.5°C and 3.0°C increments)
3121	Outdoor Lockout Backup Heat (TH2320 models only)	Off 5 °F to 65 °F (in 5 °F increments) -15.0 °C to 18.5 °C (in 2.5 °C and 3.0 °C increments)

#ISU	ISU Name	ISU Options (factory defaults are in bold)
3125	Lockout Fan after a Cool call	[0] = Off 1 = 5 min 9 = 45 min 17 = 85 min 2 = 10 min 10 = 50 min 18 = 90 min 3 = 15 min 11 = 55 min 19 = 95 min 4 = 20 min 12 = 60 min 20 = 100 min 5 = 25 min 13 = 65 min 21 = 105 min 6 = 30 min 14 = 70 min 22 = 110 min 7 = 35 min 15 = 75 min 23 = 115 min 8 = 40 min 16 = 80 min 24 = 120 min
3140	Compressor Cycle Rate (Stage 1)	1 – 6
3141	Compressor Cycle Rate (Stage 2)	1 – 6 (TH2320 models only)
3150	Heating Cycle Rate (Stage 1)	1 – 12
3151	Heating Cycle Rate (Stage 2)	1 – 12 (TH2320 models only)
3160	Heating Cycle Rate Auxiliary Heat	1 – 12 (TH2320 models only)
3165	Heating Cycle Rate Emergency Heat	1 – 12 (TH2320 models only)
3240	Compressor Protection	0 = Off 1 - 5 minutes
4090	Adaptive Intelligent Recovery	0 = No 1 = Yes <i>Adaptive Intelligent Recovery (AIR) is a comfort setting. Heating or cooling equipment will turn on earlier, ensuring the indoor temperature will match the setpoint at the scheduled time.</i>
4100	Maximum Cool Setpoint	50 °F to 99 °F (99 °F) 10.0 °C to 37.0 °C (37.0 °C)
4101	Minimum Cool Setpoint	50 °F to 99 °F (50 °F) 10.0 °C to 37.0 °C (10.0 °C)
4102	Maximum Heat Setpoint	32 °F to 90 °F (90 °F) 0.0 °C to 32.0 °C (32.0 °C)
4103	Minimum Heat Setpoint	32 °F to 90 °F (40 °F) 0 °C to 32.0 °C (4.5 °C)
4110	Keypad Lockout	0 = Disabled 1 = Enabled

#ISU	ISU Name	ISU Options (factory defaults are in bold)	
7020	Number of Air Filters	0 - 2	
7110	Air Filter 1 Replacement Reminder	0 = Off	10 =45 Calendar Days
7111	Air Filter 2 Replacement Reminder	1 = 10 Run Time Days 2 = 20 Run Time Days 3 = 30 Run Time Days 4 = 45 Run Time Days 5 = 60 Run Time Days 6 = 90 Run Time Days 7 = 120 Run Time Days 8 = 150 Run Time Days 9 = 30 Calendar Days	11 =60 Calendar Days 12 =75 Calendar Days 13 =3 Calendar Months 14 =4 Calendar Months 15 =5 Calendar Months 16 =6 Calendar Months 17 =9 Calendar Months 18 =12 Calendar Months 19 =15 Calendar Months
14003	Backlighting	0 = On Demand 1 = Continuous <i>Common wire needed for Continuous.</i>	
14004	Backlight brightness	1 - 5 <i>Only displayed if Continuous Backlight selected.</i>	
14005	Idle screen selection	0 - Minimum Information shown 1 - Setpoint shown on idle screen 2 - Maximum display information shown	
14006	Idle screen message center (WiFi Models only) Note: When ISU 1060 = 1, the outdoor temperature can be viewed on device under MENU, then TEMP	1 - Time 2 - Outdoor Temp (ISU 1060 = Internet, Wired) 3 - Outdoor Humidity (ISU 1060 = Internet) 4 - Indoor Humidity	
14007	Home screen message center (WiFi Models only) Note: When ISU 1060 = 1, the outdoor temperature can be viewed on device under MENU, then TEMP	1 - Time 2 - Outdoor Temp (ISU 1060 = Internet, Wired) 3 - Outdoor Humidity (ISU 1060 = Internet) 4 - Indoor Humidity	
14010	Clock format	12/24	
14015	Daylight Saving Time	0 = Off 1 = On	
14020	Temperature Display Offset	-3 to 3 °F (0) -1.5 to 1.5 °C (0)	

Installer Test

1. Press and **hold** the bottom left button and Up arrow button for 5 seconds to access the **INSTALLER MENU**
2. Press **↑** or **↓** to cycle through **INSTALLER MENU** options until you see **TEST**, then press **SELECT**
3. The display will show the current test mode. To test the mode displayed, press **↑**. If testing Heat or Cooling on multi-stage equipment, a second press of the **↑** button will indicate a call for Stage 2.
4. Press **NEXT** to advance to the next mode in the test menu. Possible settings in the test menu are **Heat, Cool, Em Heat, Fan**
5. Press **EXIT** after testing is done.



System Test	System Status
Shaded areas below apply <u>only</u> to TH2320 models	
Heat	0 All Off
	1 Heat Stage 1 On
	2 Heat Stage 2 also On
	3 Heat Stage 3 also On
Cool	0 All Off
	1 Cool Stage 1 On
	2 Cool Stage 2 also On
Em Heat	0 All Off
	1 Em Heat On
Fan	0 Fan Off
	1 Fan On

User Menu Options

After initial setup is complete, you can enter the User menu.

1. Press **Menu button**
2. Press **↑** or **↓** to cycle through **User Menu** options. When the menu option you want to use is displayed, press **SELECT**.

User menu options

Note: When any Alert or Reminder is active it is the first item displayed under Menu

- **SCHEDULE**: Turn schedule on or off or set/edit schedule settings
 - **APP**: Use the app (S200)
 - **WIFI**: On or Off (S200)
 - **TEMP**: Display outdoor or indoor temperature *
 - **DATE**: Set Date
 - **TIME**: Set Time
 - **LOCK****: Change lockout status (**OFF**, **FULL** or **PART**). Partial lockout allows temporary setpoint change only.
3. To **EXIT** and return to the Home screen, press the **EXIT** button (upper left) or wait for the thermostat to time out.

*Outdoor option only shown if ISU 1060 is set to use a wired outdoor sensor or Internet

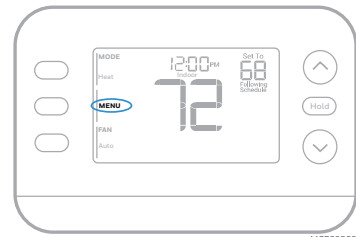
** Lockout option only shown if ISU 4110 is set to Lockout Enabled

Set Time and Date

Time and date are set automatically when the customer registers the thermostat to a First Alert Account.

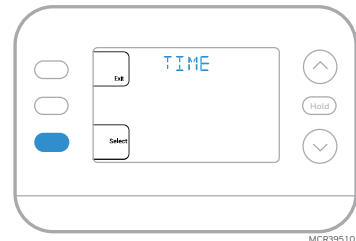
Time

1. Press **MENU** on the thermostat
2. Press **↑** or **↓** to go to **TIME** and press **SELECT**
3. Press **↑** or **↓** to choose 12- or 24-hour clock format and press **NEXT**
4. Press **↑** or **↓** to adjust the **hour** and press **NEXT**.
5. Press **↑** or **↓** to adjust the **minute** and press **SAVE & EXIT**



Date

1. Press **MENU** on the thermostat.
2. Press **↑** or **↓** to go to **DATE** and press **SELECT**.
3. Press **↑** or **↓** to choose **YEAR** and press **NEXT**.
4. Press **↑** or **↓** to choose **MONTH** and press **NEXT**.
5. Press **↑** or **↓** to choose **DATE** and press **SAVE & EXIT**



System Operation Settings

1. Press the **MODE** button to cycle to the next available System mode
 2. Cycle through the modes until the desired System mode is displayed
- Available System modes vary by model and system settings.

System modes:

- **AUTO**
- **HEAT**
- **COOL**
- **EM HEAT**
- **OFF**

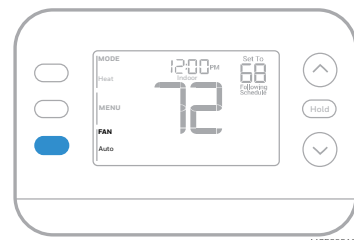
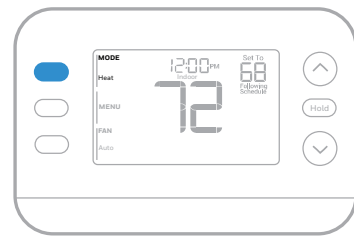
Fan Operation Settings

1. Press the **FAN** button to cycle to the next available Fan mode.
2. Cycle through the modes until the desired Fan mode is displayed

Available Fan modes vary with system settings.

Fan modes:

- **AUTO**: Fan runs only when the heating or cooling system is on
- **ON**: Fan is always on
- **CIRC**: Fan runs about 33% of the time to circulate the air



Auto Changeover

When a thermostat is set to Auto Changeover, the thermostat has a Heat setpoint and a Cool setpoint and can run either Heat or Cool as needed.

1. Verify the thermostat is set to Auto Changeover mode. Press the **MODE** button in the upper left until **AUTO** is selected. Press the **SAVE** button (Center left).
2. Press the **↑** or **↓** button. Upper right shows **HEAT TO** or **COOL TO** in flashing text, and the setpoint. Use the **↑** or **↓** button to adjust the setpoint. If the display shows **HEAT TO** flashing when you want to adjust the Cool setpoint, or vice versa, press the System button. While **HEAT TO** or **COOL TO** is flashing, the mode indication at upper left shows either **HEAT** or **COOL** flashing. Pressing the **MODE** button at this time changes the setpoint being adjusted from **HEAT** to **COOL** or vice-versa.


Heat and cool set to the same temperature.



Most customers are comfortable in a 2–3-degree temperature range. Therefore, the heat is usually set a few degrees below the Cool setpoint. When the indoor temperature is between the Heat and Cool setpoints, the system is off.

The Heat and Cool setpoints can be the same. To ensure that the system does not cycle back and forth between Heating and Cooling, the thermostat observes a **differential** setting (set by the installer). If the thermostat last ran in Heat mode, it cycles heat on and off to maintain the setpoint. The indoor temperature must rise to the differential setting before it switches to Cool.

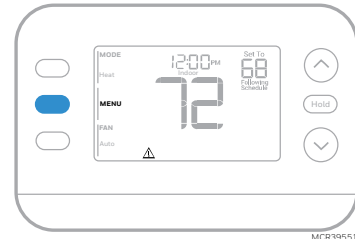
Then cooling will run down to the Cool setpoint and cycle cooling on and off to maintain as needed. The thermostat would then need to drop to the differential setting before switching back to Heat. Typically, a thermostat using Auto Changeover would only need to switch over twice per day as outdoor temperature rises during the day and drops in the evening.

Alerts

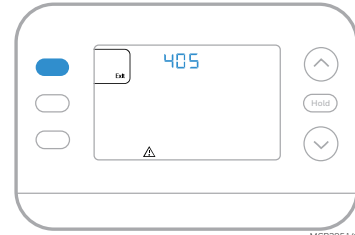
When an alert is active, an  icon will appear in the lower part of the display.

1. Press **MENU** and use  or  until the alert is shown. Active alerts will be the first menu items shown.
2. Press **SELECT** to display the alert number.
3. An alert cannot be dismissed. If there is more than one active alert, pressing the **NEXT** button allows you to view any additional alert numbers. Press **EXIT** to return to the home screen.

Some alerts can be resolved by the homeowner, for example **Replace Batteries**. Other alerts may require a service call to the professional installer.



MCR39551



MCR39514

Alert Number	Alert Meaning
405	Thermostat batteries are low. Replace batteries.
407	Thermostat batteries are critically low. Replace batteries.
164	Heat Pump Fault. Heat pump is energizing the L terminal to indicate a fault.
170	Thermostat Memory Failure. Internal problem with the thermostat memory.
171	Set Time and Date. To clear this alert, enter the Menu, and follow steps listed earlier in this manual to set the time and date.
173	Internal Sensor Error. Issue with the built-in temperature sensor.
178	Wired Outdoor Sensor Error. Check wires and connections to outdoor sensor
388	Register online
399	WiFi, internet connection lost *
400	WiFi, no signal *
602	Internal humidity sensor error
607	WiFi network error *

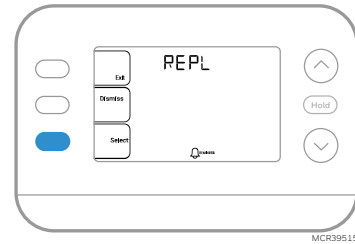
* WiFi alerts will not be shown when WiFi is set to Off under the WiFi menu

Reminders

When a reminder is active, a  icon will appear in the lower part of the display.

1. Press **MENU** and use **↑** or **↓** until the active reminder is shown. Active alerts and reminders will be the first menu items shown.
2. Press **SELECT** to display the reminder.
3. Once selected you will see the reminder message in scrolling text. Press **DISMISS** to reset the reminder or press **EXIT** to return to the home screen without resetting the reminder.

If there is more than one active reminder, press the **NEXT** button to view all reminders which have not been reset.



Program Schedule

When the customer registers an S200 thermostat to the Resideo App, they can choose to use Geofencing services rather than a time-based schedule.

You can program four time periods each day, with different settings for weekdays and weekends. We recommend using the presets shown in the table at right; these presets are designed to reduce your heating/cooling expenses.

WAKE: Set to the time you wake up and your desired temperature during the morning until you leave for the day.

AWAY: Set to the time you leave home and your desired temperature while you are away (usually an energy-saving temperature).

HOME: Set to the time you return home and your desired evening temperature until bedtime.

SLEEP: Set to your bedtime and your desired overnight temperature (usually an energy-saving temperature).

	Heat	Cool
Wake (6:00 am)	70°	78°
Away (8:00 am)	62°	85°
Home (6:00 pm)	70°	78°
Sleep (10:00 pm)	62°	82°

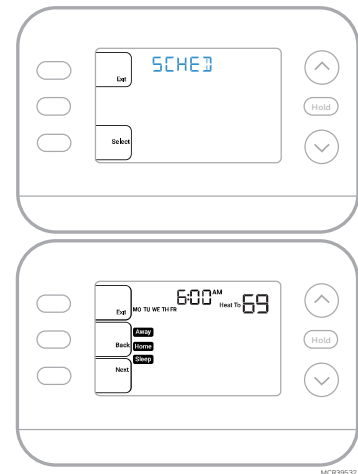
Fahrenheit Deg. M36013

Adjusting program schedules

1. Press **MENU**, then press **↑** or **↓** until **SCHED** is displayed.
2. A square appears around **ON** or **OFF** in the display. If you want to use a schedule, press **↑** or **↓** to select **ON**. Press **Select** to edit the schedule or press **EXIT** to exit the menu.
3. If editing the schedule, press **SELECT** to edit the day or days flashing in the display.
4. The word **Wake** should be flashing. Press **NEXT**. Press **↑** or **↓** to turn this schedule period on or off. Press **NEXT**.
5. If the schedule period was set to **ON**, the time will be flashing. Press **↑** or **↓** to adjust the time for this period. Press **NEXT**.
6. The Heat setpoint will be flashing. Press **↑** or **↓** to adjust the Heat setpoint for this period. Press **NEXT**.
7. The Cool setpoint will be flashing. Press **↑** or **↓** to adjust the Cool setpoint for this period. Press **NEXT**.
8. The display will show the next schedule period flashing. Repeat steps 4 – 7 for the Away, Home and Sleep schedule settings. After completing all schedule settings for the day(s) selected, repeat these steps for the other days.
9. Press the **SAVE & EXIT** button at upper left.

When editing an existing schedule, you can advance to the setting you wish to change, edit that setting and press the **SAVE & EXIT** button to save changes.

Depending on what type of schedule the thermostat was set up for, days may be grouped or set individually.



Program schedule override (Temporary)

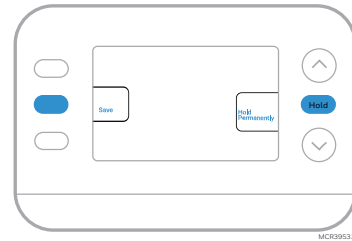
1. Press **↑** or **↓** to adjust the temperature.
2. Once at the desired setpoint temperature, no further action is needed. The new setpoint temperature will be held until the next scheduled period begins.
3. Press the **SAVE** button or wait for the display to time out and return to the Home screen.

To cancel the Temporary Hold, press and release the **HOLD** button to cycle through the settings until **CANCEL HOLD** is selected.

Program schedule override (Permanent)

1. Press **↑** or **↓** to adjust the temperature.
2. Once at the desired setpoint temperature, press and release the **HOLD** button to cycle through the settings until **HOLD PERMANENTLY** is selected.
3. Press the **SAVE** button or wait for the display to time out and return to the Home screen.

To cancel the Permanent Hold, press and release the **HOLD** button to cycle through the settings until **CANCEL HOLD** is selected.



Keypad Lockout

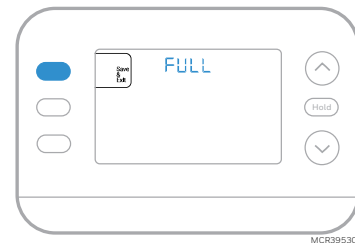
1. Press Menu on the thermostat.
2. Press **↑** or **↓** to go to **LOCK**. Press **SELECT**.
3. Press **↑** or **↓** to go to **OFF, PART** or **ON** and then press **SELECT**.

OFF: Unlocked, and full access allowed.

PART: Partial lockout, allowing only the temperature to be changed.

ON: No access allowed.

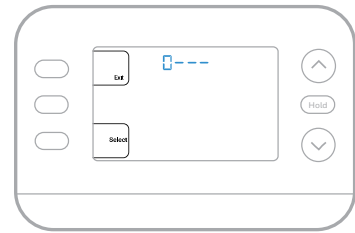
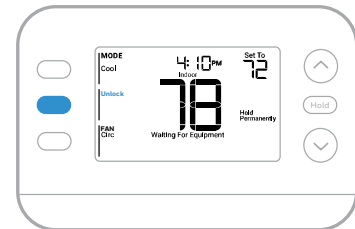
4. Press the **SAVE & EXIT** button.



Unlocking the Keypad

1. If the keypad is locked (partially or fully) the display will show **UNLOCK** next to the left center button.
2. To unlock the keypad, press the left center button until the display shows a **0 and three dashes** in the upper part of the display.
3. Enter the password "1234". To enter the password, press **↑** or **↓** to change the first digit of the Number.
4. Press **SELECT**.
5. Repeat this process to enter the second through fourth digits of the number. Once all four numbers have been entered, press **SELECT** again. This will unlock the keypad.
6. If entered incorrectly, press **BACK** to go back a step to enter the correct number and press **SELECT**.

The Keypad Lockout option is available in the user menu ONLY IF the installer has specifically configured the thermostat to allow this option.



Adaptive Intelligent Recovery

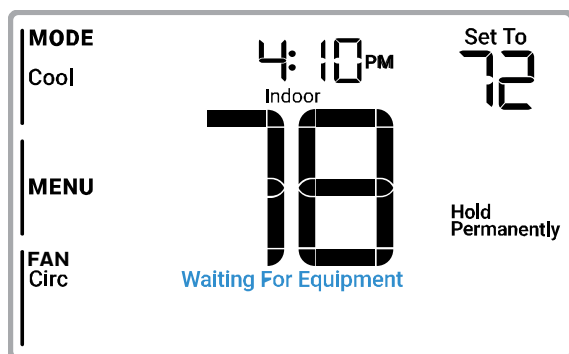
Active Recovery appears on the display under the room temperature when the thermostat is changing from a Setback temperature to a Comfort temperature.

Over time, the FocusPRO® P200 or S200 thermostat “learns” how long it takes your system to reach your desired temperatures. The thermostat will activate the heating or cooling system as needed to make sure you’re comfortable at the times you expect.

Built-in compressor protection

Damage can occur if your system’s compressor is restarted too soon after shutdown. This feature forces the compressor to wait for a few minutes before restarting. During the wait time, the display will show the message **Waiting For Equipment** under the room temperature reading.

When the safe wait time has elapsed, the message disappears, and the thermostat will show “Heat on” or “Cool on”.



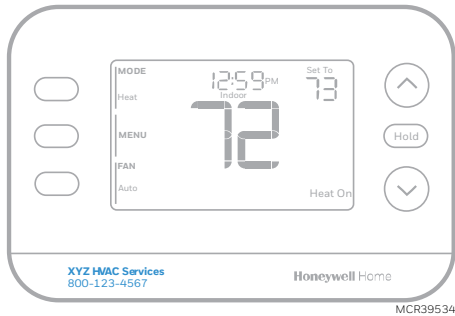
MCR39528

Accent Piece Installation/Replacement

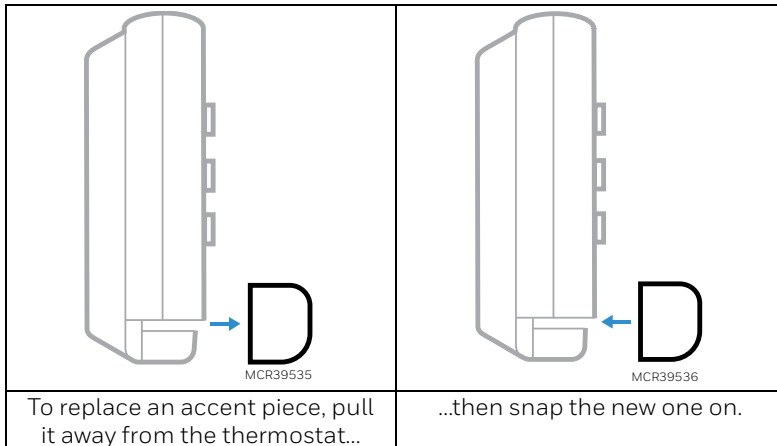
Private label accent piece for FocusPRO® N100, P200, and S200 models

Private label replacement accent pieces for N100, P200 and S200 thermostats can be ordered. Information about the private label program can be found at:

resideo.com/us/en/pro/private-label-program



Example of the private label accent pieces that can be ordered for the thermostats listed above.



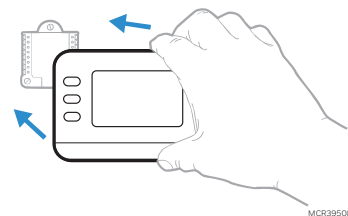
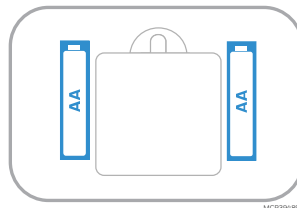
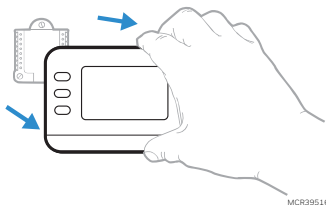
See the video at:



Battery Replacement (P200 Models Only)

The thermostat's display will let you know when the batteries are low and need to be replaced.

- 1 Remove the thermostat by pulling it away from its mount as seen below.
- 2 Be sure to use **fresh** AA batteries and insert them as shown.
- 3 After inserting the new batteries, align the thermostat with the UWP wall plate and push gently until the thermostat snaps back into place.



Troubleshooting

<p>Display is blank</p>	<ul style="list-style-type: none"> • Check circuit breaker and reset if necessary. • Make sure power switch for heating & cooling system is on • Make sure furnace door is closed securely. • Make sure fresh AA alkaline batteries are correctly installed See Battery Replacement
<p>Heating or cooling does not run</p>	<ul style="list-style-type: none"> • When running heat, display will show HEAT ON in lower right of display. • When running cool, display will show COOL ON in lower right of display. • If display shows WAITING FOR EQUIPMENT under temperature reading, it is in compressor delay mode to protect the system. Wait 5 minutes to determine if the thermostat makes a Heat or Cool call. • If display does not indicate a call for Heat or Cool or WAITING FOR EQUIPMENT, verify the mode setting, temperature setpoint and room temperature. <p>If you press the Up or Down arrow</p> <ul style="list-style-type: none"> • Upper left of display shows mode setting. • Upper right shows setpoint • Center of display shows room temperature. <p>If issue persists</p> <ul style="list-style-type: none"> • Check circuit breaker and reset if necessary. • Make sure power switch at heating & cooling system is on • Make sure furnace door is closed securely
<p>Heat or Aux Heat runs with Cooling</p>	<ul style="list-style-type: none"> • Verify there is not a wire attached to W for heat pump systems. See Wiring Diagrams. • For heat pump applications the reversing valve is energized in Heat on some heat pumps and Cool for other heat pumps. Verify ISU 2060 is set correctly. • Verify that no wires are shorted. Look for exposed sections of wire at the UWP wall plate
<p>Heat or Aux heat runs with no call for heat or cooling</p>	<ul style="list-style-type: none"> • Verify display does not indicate HEAT ON, COOL ON or AUX HEAT ON • Verify there is not a wire attached to W for heat pump systems. See Wiring Diagrams. • Verify that no wires are shorted. Look for exposed sections of wire at the UWP wall plate
<p>Cannot change setpoint to desired setting</p>	<ul style="list-style-type: none"> • If display indicates UNLOCK next to the left center button, see Keypad Lockout • If not, verify the mode setting (Heat, Cool, Auto, or Em Heat in upper left of display) <p>The setting ranges for these modes are:</p> <ul style="list-style-type: none"> ○ Heat or Em Heat: 32 °F to 90 °F (0 °C to 32.0 °C) ○ Cool: 50 °F to 99 °F (10.0 °C to 37.0 °C) <p>If the setpoint can be adjusted, but not to the full range shown above, the thermostat may be configured for a maximum heat or minimum cool setpoint to restrict settings that are energy inefficient.</p>
<p>WAITING FOR EQUIPMENT shown in display under room temperature</p>	<p>The compressor protection feature is engaged. Wait a few minutes for the system to safely restart to avoid damaging the compressor. See Built-in compressor protection.</p>

Specifications

Temperature Ranges

Heat: 32 °F to 90 °F (0 °C to 32.0 °C)

Cool: 50 °F to 99 °F (10.0 °C to 37.0 °C)

Working Ambient Temperature

32 °F to 120 °F (0 °C to 48.9 °C)

Operating Ambient Temperature

32 °F to 102 °F (0 °C to 38.9 °C)

Shipping Temperature

-20 °F to 120 °F (-28.9 °C to 48.9 °C)

Operating Relative Humidity

5% to 90% (non-condensing)

Physical Dimensions in inches (mm) (H x W x D)

Thermostat:

5-1/8" W x 3-7/16" H x 1-3/16" D

130 mm W x 87 mm H x 29.5 mm D

Cover Plate:

6-1/16" W x 4-3/5" H

154mm W x 117 mm H

Electrical Ratings

a) Device Input Power – AC 1.1 VA, 24 VAC nominal (20-30 VAC), 60 Hz

b) Load Ratings – see below

c) Batteries – Two 1.5V AA batteries (P200 Models only)

Terminal	Voltage (60Hz)	Running Current
W Heating	24 VAC	0.02-1.0 A
W Heating	750 mV DC	100 mA DC
W2 (Aux) Heating	24 VAC	0.02-1.0 A
E Emergency Heat	24 VAC	0.02-0.5 A
Y Compressor Stage 1	24 VAC	0.02-1.0 A
Y2 Compressor Stage 2	24 VAC	0.02-1.0 A
G Fan	24 VAC	0.02-0.5 A
O/B Changeover	24 VAC	0.02-0.5 A
L/A Input	24 VAC	0.02-0.5 A

* Smart thermostats can have 750 MV heat wired to R and W but require 24 VAC at Rc and C

Safety and environmental notices



CAUTION: ELECTRICAL HAZARD

Can cause electrical shock or equipment damage. Disconnect power before beginning installation.



CAUTION: EQUIPMENT DAMAGE HAZARD

Compressor protection is bypassed during testing. To prevent equipment damage, avoid cycling the compressor quickly.



CAUTION: MERCURY NOTICE

If this product is replacing a control that contains mercury in a sealed tube, do not place the old control in the trash. Contact your local waste management authority for instructions regarding recycling and proper disposal.



CAUTION: ELECTRONIC WASTE NOTICE

The product and batteries should not be disposed of with other household waste. Check for the nearest authorized collection centers or authorized recyclers. The correct disposal of end-of-life equipment will help prevent negative consequences for the environment and human health.

FCC statement available at: <https://customer.resideo.com/en-US/support/residential/codes-and-standards/FCC15105/Pages/default.aspx>

Customer Assistance

For assistance with this product, please visit customer.resideo.com

Or call Resideo Customer Care toll-free at **1-800-633-3991**

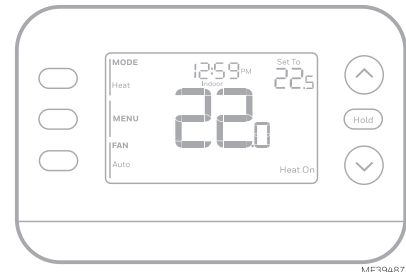
5-year limited warranty

For Warranty information go to honeywellhome.com/support

Honeywell Home

FocusPRO®

Thermostats des séries P200 et S200



Manuel d'installation

À LIRE AVANT L'INSTALLATION

L'emballage comprend:

- Thermostat FocusPRO® série P200 ou S200
- Plaque murale UWP
- Plaque de recouvrement décorative avec adaptateur J-Box
- Vis et ancrages
- 2 piles AA (avec les modèles P200)
- Documentation sur le thermostat

TH2110U4004 P200 Programmable
TH2320U4006 P200 Programmable
TH2110WF4008 S200 Intelligent
TH2320WF4010 S200 Intelligent
TH2320WF4011 S200 Intelligent

Compatibilité (Uniquement pour une utilisation à l'intérieur)

Les modèles TH2110U4004 et TH2110WF4008 sont compatibles avec les systèmes de chauffage et de refroidissement à une étape 24 VCA, y compris :

- Les thermo pompes sans chauffage d'appoint
- Air pulsé au gaz/huile/électrique
- Refroidissement à une étape
- Chauffage hydronique radiant
- Serpentin à eau chaude
- 750 MV (24 VCA nécessaires au RC & C sur les modèles S200. 750 MV à R et W ; voir [la section désignation des terminaux de câblage](#))

Les modèles TH2320U4006 et TH2320WF sont compatibles avec la plupart des systèmes de chauffage et de refroidissement 24 VCA, y compris :

- Thermo pompes avec des compresseurs en 1 ou 2 étapes et du chauffage d'appoint
- Bi combustible
- Air pulsé à gaz/huile/électrique à 1 ou 2 étapes
- Refroidissement à 1 ou 2 étapes
- Chauffage hydronique radiant avec serpentin à eau chaude
- 750 MV (24 VCA nécessaire au RC & C sur les modèles S200. 750 MV à R et W ; voir [la section désignation des terminaux de câblage](#))
- Les terminaux S pour le capteur extérieur câblé C7089U1006 (utilisé pour le verrouillage du chauffage d'appoint ou le point d'équilibre sur les systèmes de thermo pompes). Alternativement, le modèle Smart peut utiliser l'application.)

REMARQUE : Les modèles Smart TH2110WF4008 et TH2320WF peuvent utiliser un réseau WiFi 2.4 GHZ ou 5 GHZ.

Introduction

Ce document traite des sujets suivants (cliquez pour accéder à ces sections):

- [Installation de la plaque murale UWP](#)
- [Options d'alimentation](#)
- [Diagrammes de câblage](#)
- [Montage du thermostat](#)
- [Configuration/Réglages](#)
- [Récupération intelligente et adaptative \(fonction "apprentissage"\)](#)
- [Protection du compresseur](#)
- [Installation/remplacement d'une pièce décorative](#)
- [Dépannage](#)
- [Spécifications](#)
- [Assistance à la clientèle](#)

Contenu (cliquez pour accéder à cette page)

Installation de la plaque murale UWP.....	3
Installation de la plaque de couverture optionnelle.....	3
Options d'alimentation	3
Configuration des onglets coulissants.....	4
Désignation des terminaux de câblage.....	4
Diagrammes de câblage	5
Chauffage uniquement : fournaise au gaz ou à l'huile.....	5
Seulement pour le froid	5
Chaudière à eau chaude, chauffage uniquement.....	5
1H/1C : chaudière à gaz	5
Système à 2 transformateurs, 1H/1C : chaudière à l'huile avec climatisation	6
Système avec 2 transformateurs, chauffage à eau chaude avec climatisation (ou à serpentin à eau chaude).....	6
2H/1C : chaudière à gaz	6
2H/2C : fournaise à gaz	6
Chauffage à eau chaude avec une vanne de zone à ouverture motorisée	7
Chauffage à eau chaude avec vanne de zone à ouverture/fermeture motorisée de la série 20	7
1H/1C : Thermo Pompe à chaleur sans chauffage auxiliaire.....	8
2H/1C : Thermo pompe avec chauffage d'appoint électrique.....	8
3H/2C: Thermo pompe avec chauffage auxiliaire électrique.....	9
Bicombustible, 2H/1C: thermo pompe.....	9
Bi-combustible 3H/2C : Thermo pompe.....	10
Montage du thermostat	11
Configuration et réglages.....	11
Options de l'installateur.....	11
Configurez le thermostat	12
Test de l'installateur.....	16
Options du menu utilisateur	17
Régler l'heure et la date.....	17
Réglages du fonctionnement du système.....	18
Réglages du fonctionnement du ventilateur.....	18
Changement automatique.....	19
Alertes.....	20
Rappels	21
Programmer l'horaire	21
Ajustement des programmes d'horaire.....	22
Annulation (temporaire) de la programmation	23
Remplacement de l'horaire du programme (permanent).....	23
Verrouillage du clavier	23
Déverrouillage du clavier	23
Récupération intelligente et adaptative.....	24
Protection intégrée du compresseur	24
Installation/remplacement d'une pièce décorative	25
Remplacement de la batterie (modèles P200 uniquement).....	25
.....	25
Dépannage.....	26
Spécifications	27
Caractéristiques électriques.....	27
Assistance à la clientèle.....	28
garantie limitée de 5 ans.....	28

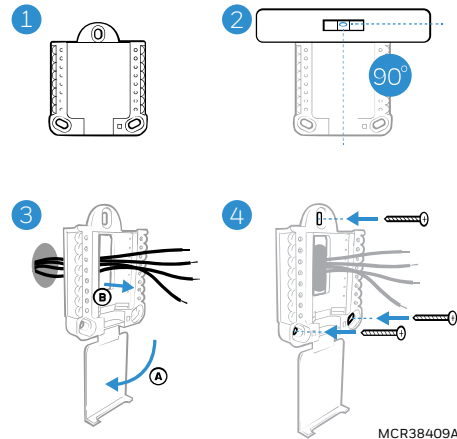
Tout au long du document, vous verrez des sauts vers différents endroits du texte. En voici un exemple :

Voir [Configuration des onglets coulissants](#). Cliquez sur le lien du texte pour accéder directement à cet endroit.

Installation de la plaque murale UWP

Si la plaque de recouvrement est utilisée, l'UWP s'enclenche sur la plaque de recouvrement comme indiqué ici.

- 1 Avant de commencer, coupez l'alimentation au niveau du disjoncteur ou de l'interrupteur. Ouvrez l'emballage pour trouver l'UWP. Voir la figure 1.
- 2 Positionner l'UWP sur le mur. Nivelez et marquez les positions des trous. Voir la figure 2.
- 3 À l'aide d'une mèche de 3/16", percez les trous aux positions marquées, puis enfoncez légèrement les chevilles fournies dans le mur à l'aide d'un marteau.
- 4 Ouvrez la porte et insérez les fils dans le trou de câblage de l'UWP. Voir la figure 3.
- 5 Placez l'UWP sur les ancrages muraux. Insérez et serrez les vis de montage fournies avec l'UWP. Ne pas trop serrer. Serrez jusqu'à ce que l'UWP ne bouge plus. Fermez la porte. Voir la figure 4.



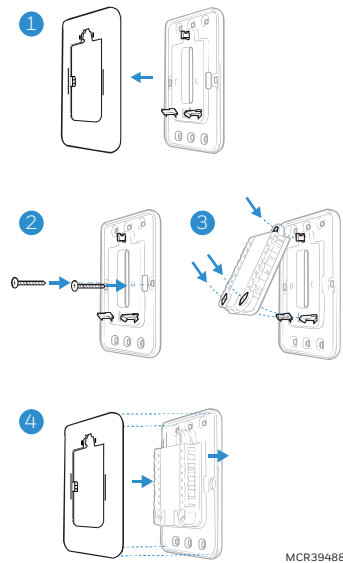
Utilisez 3 vis #6 1-1/2" fournies

Installation de la plaque de couverture optionnelle

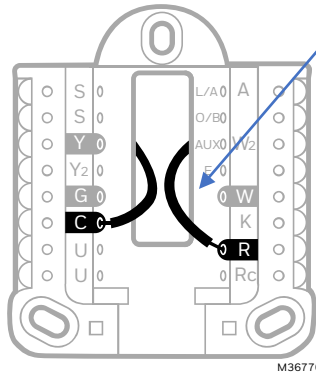
Si la plaque de recouvrement optionnelle n'est pas nécessaire, voir [Installation de la plaque murale UWP](#).

Utilisez la plaque de recouvrement optionnelle lorsque vous devez couvrir un espace de peinture provenant de l'ancien thermostat.

- 1 Séparez la plaque de recouvrement de la plaque de montage (figure 1).
- 2 Montez la plaque de montage sur le mur ou le boîtier J en utilisant l'un des 8 trous de vis. Insérez et serrez les vis de montage fournies avec le kit de plaque de recouvrement. Ne pas trop serrer. Voir la figure 2. Assurez-vous que la plaque de montage est de niveau.
- 3 Fixez l'UWP en l'accrochant au crochet supérieur de la plaque de montage, puis en enclenchant la partie inférieure de l'UWP. Voir la figure 3.
- 4 Enclenchez la plaque de recouvrement sur la plaque de montage. Voir la figure 4.



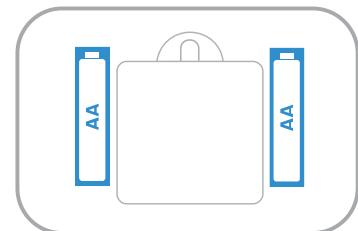
Options d'alimentation



Insérez les fils **R** et **C** dans les bornes désignées pour l'alimentation secteur. Retirez les fils en appuyant sur les languettes des bornes. (La borne **C** est requise pour les thermostats intelligents S200).

Thermostats utilisant les fils Y et G :

S'il n'y a pas de fil **C** du thermostat précédent ou s'il n'y a pas de fil supplémentaire dans le faisceau vers le thermostat, vous pouvez utiliser l'adaptateur de fil **C** **THP9045A** (vendu séparément).



Insérez des piles AA pour l'alimentation principale ou d'appoint (modèles P200 uniquement)

Pour obtenir de plus amples renseignements sur l'adaptateur du fil C THP9045A, consultez le site Web : <https://customer.resideo.com/resources/Techlit/TechLitDocuments/33-00000s/33-00618.pdf>

Configuration des onglets coulissants

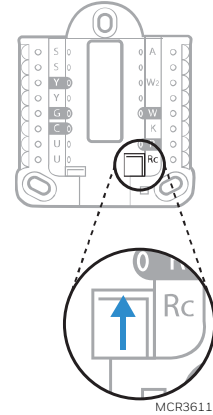
Réglage de l'onglet coulissant R

Utiliser le cavalier intégré (onglet R) pour différencier les systèmes à un ou deux transformateurs.

- S'il n'y a qu'un seul fil R et qu'il est connecté au terminal R, Rc ou RH, placez l'onglet coulissant en position haute (1 fil).
- S'il y a un fil connecté au terminal R et un fil connecté au terminal Rc, placez l'onglet coulissant en position basse (2 fils).

Les onglets coulissants pour les terminaux U doivent être laissés en place pour les modèles des séries FocusPRO® P200 et S200.

Plaque murale UWP



Onglet coulissant R/Rc

Désignation des terminaux de câblage

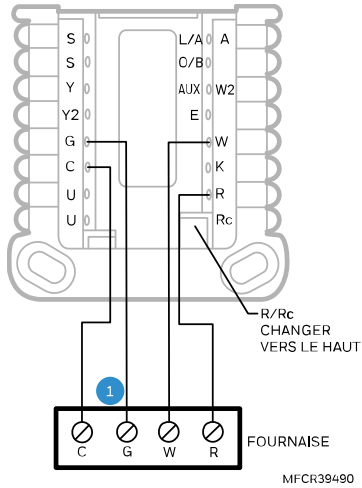
S	C7089U1006 câblé Capteur extérieur (TH2320U4006 et modèles TH2320WF uniquement)	L/A - A	Entrée de défaut pour la thermo pompe	
S		O/B	Vanne d'inversion	
Y	Contacteur de compresseur (étape 1)	AUX -W2	Chauffage auxiliaire Chauffage (étape 2) (TH2320U4006 et modèles TH2320WF uniquement)	
Y2	Contacteur de compresseur (étape 2) (TH2320U4006 et TH2320WF uniquement)	E	Chauffage d'appoint (TH2320U4006 et modèles TH2320WF uniquement)	
G	Fan (Ventilateur) 24VCAcommun.	W	Chauffage (étape 1)	
C	Pour les systèmes à 2 transformateurs, utiliser le fil commun du transformateur de refroidissement.	K	Vers l'adaptateur THP9045A du fils C si nécessaire (S200 ou P200)	
U	Non utilisé sur ces modèles	R	Alimentation 24 VCA provenant du transformateur de chauffage*	
U		Rc	Alimentation 24 VCA provenant du transformateur de refroidissement*	

* Les terminaux peuvent être sautés à l'aide d'un onglet coulissant. Voir [Configuration des onglets coulissants](#).

Diagrammes de câblage

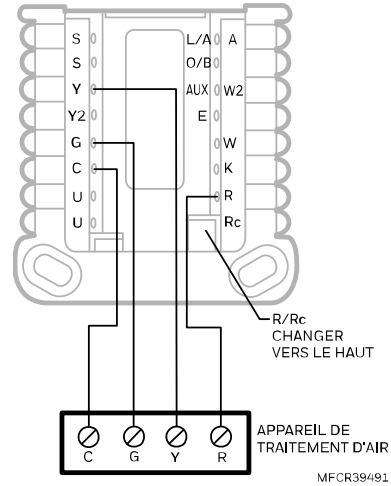
Chauffage uniquement : fournaise au gaz ou à l'huile

Modèles compatibles : tous les P200 et S200



Seulement pour le froid

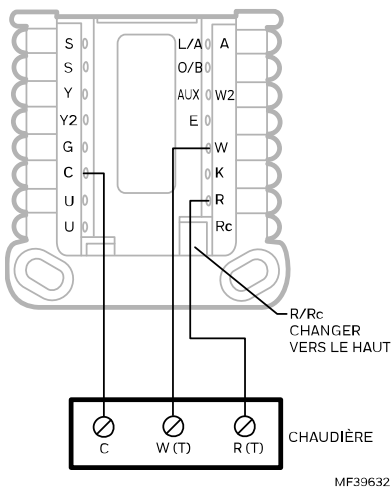
Modèles compatibles : tous les P200 et S200



1 : G UTILISÉ UNIQUEMENT POUR LE CONTRÔLE INDÉPENDANT DU VENTILATEUR. (LA PLUPART DES SYSTÈMES À AIR PULSÉ, À CHALEUR UNIQUEMENT, AU GAZ OU À L'HUILE N'UTILISENT PAS DE FIL DE VENTILATEUR [G])

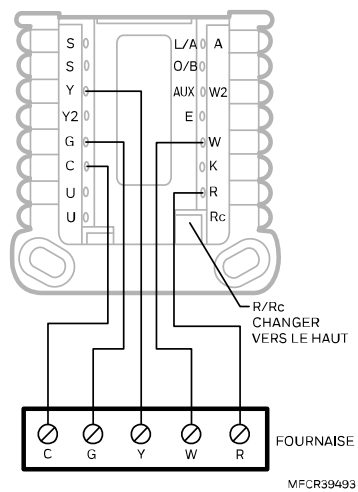
Chaudière à eau chaude, chauffage uniquement

Modèles compatibles : tous les P200 et S200



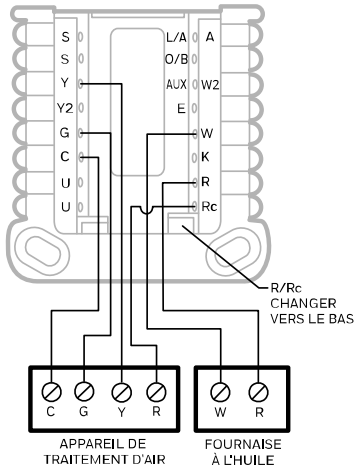
1H/1C : chaudière à gaz

Modèles compatibles : tous les P200 et S200



**Système à 2 transformateurs, 1H/1C :
chaudière à l'huile avec climatisation**

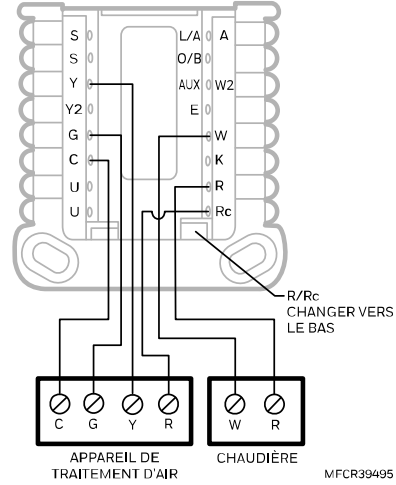
Modèles compatibles : tous les P200 et S200



MFCR39494

**Système avec 2 transformateurs, chauffage à
eau chaude avec climatisation (ou à serpentin à
eau chaude)**

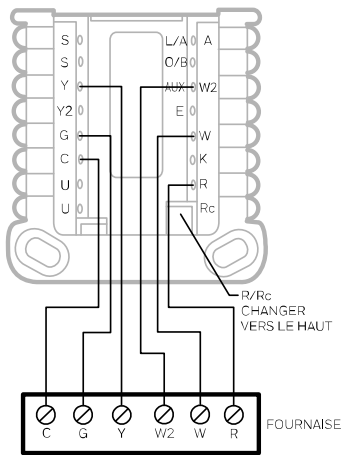
Modèles compatibles : tous les P200 et S200



MFCR39495

2H/1C : chaudière à gaz

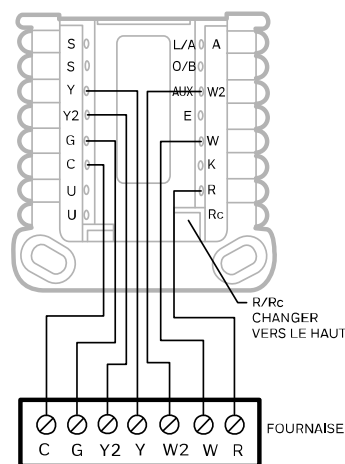
Modèle compatible : modèles TH2320
uniquement



MFCR39496

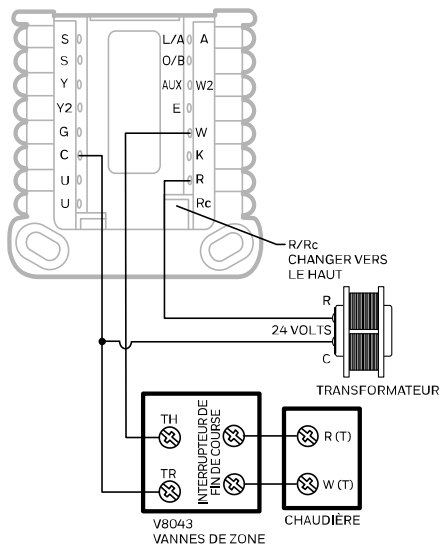
2H/2C : fournaise à gaz

Modèle compatible : modèles TH2320
uniquement



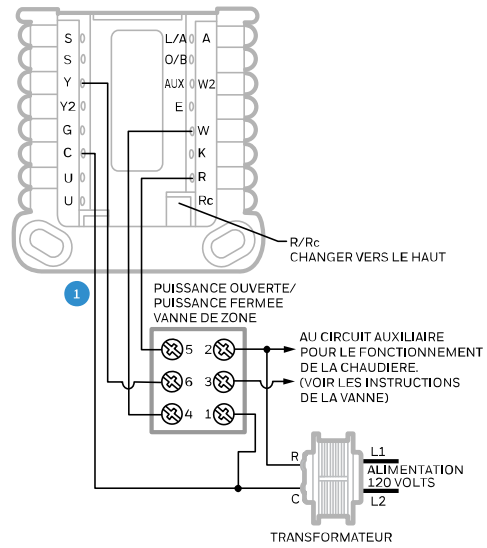
MFCR39497

**Chauffage à eau chaude avec
une vanne de zone à ouverture motorisée**
Modèles compatibles : tous les P200 et S200



MF39498

**Chauffage à eau chaude avec vanne de zone à
ouverture/fermeture motorisée de la série 20**
Modèles compatibles : tous les P200 et S200

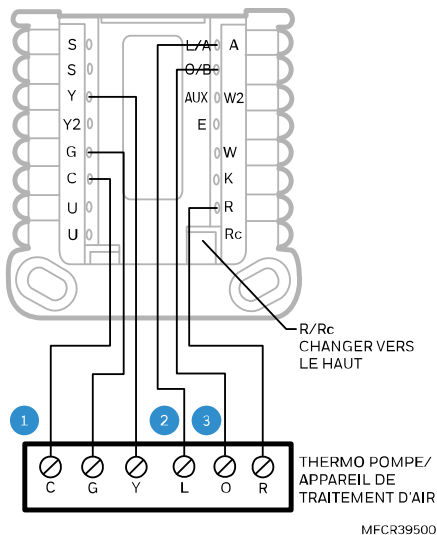


MFCR39633

1 : LE THERMOSTAT DOIT ÊTRE CONFIGURÉ POUR LE
CHAUFFAGE PAR RAYONNEMENT AVEC 0 (ZÉRO) ÉTAPE
DE REFROIDISSEMENT

1H/1C : Thermo Pompe à chaleur sans chauffage auxiliaire

Modèles compatibles : tous les P200 et S200

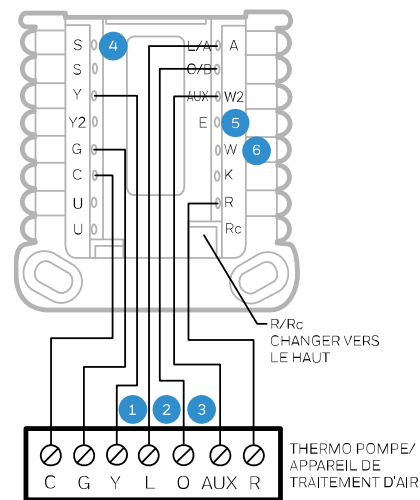


MFCR39500

- 1 : L N'EST CONNECTÉ QUE SI LA THERMO POMPE EST ÉQUIPÉE D'UN TERMINAL DE DÉFAUT
- 2 : CERTAINES THERMO POMPES UTILISENT **B** AU LIEU DE **O** POUR LA VANNE D'INVERSION
- 3 : **IMPORTANT : NE PAS CONNECTER DE FIL À W POUR LES APPLICATIONS DE THERMO POMPES ! CELA PEUT PROVOQUER UNE CHALEUR CONTINUE**

2H/1C : Thermo pompe avec chauffage d'appoint électrique

Modèle compatible: modèle TH2320 uniquement

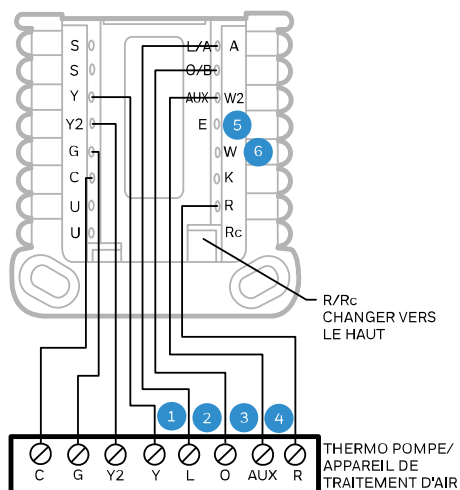


MFCR39501

- 1 : L N'EST CONNECTÉ QUE SI LA THERMO POMPE EST ÉQUIPÉE D'UN TERMINAL DE DÉFAUT
- 2 : CERTAINES THERMO POMPES UTILISENT **B** AU LIEU DE **O** POUR LA VANNE D'INVERSION
- 3 : SELON LES MODÈLES DE THERMO POMPES, LE TERMINAL DE CHAUFFAGE AUXILIAIRE PEUT ÊTRE ÉTIQUETÉ DIFFÉREMMENT DE CE QUI EST ILLUSTRÉ. CONSULTER LE GUIDE DE CÂBLAGE DE LA THERMO POMPE
- 4 : SI VOUS LE SOUHAITEZ, LE CAPTEUR EXTÉRIEUR CÂBLÉ C7089U1006 PEUT ÊTRE UTILISÉ POUR LE POINT D'ÉQUILIBRE ET LE VERROUILLAGE DU CHAUFFAGE AUXILIAIRE
- 6 : LA PLUPART DES THERMO POMPES PARTAGENT LE MÊME JEU DE BANDES CHAUFFANTES POUR LE **CHAUFFAGE AUXILIAIRE** ET LE **CHAUFFAGE D'APPOINT**. DANS CES CAS, **E** N'EST PAS UTILISÉ. LES MODÈLES TH2320 PEUVENT ÊTRE CONFIGURÉS POUR **DES AUX** ET **E** SÉPARÉS. DANS CE CAS, CÂBLER UN JEU DE BANDES À **E** POUR QU'IL SOIT ALIMENTÉ EN **CHAUFFAGE D'APPOINT** ET UN AUTRE JEU DE BANDES À **AUX** POUR QU'IL SOIT ALIMENTÉ EN **CHAUFFAGE AUXILIAIRE**.
- 4 : **IMPORTANT : NE PAS CONNECTER DE FIL À W POUR LES APPLICATIONS DE THERMO POMPES ! CELA PEUT PROVOQUER UNE CHALEUR CONTINUE.**

3H/2C : Thermo pompe avec chauffage auxiliaire électrique

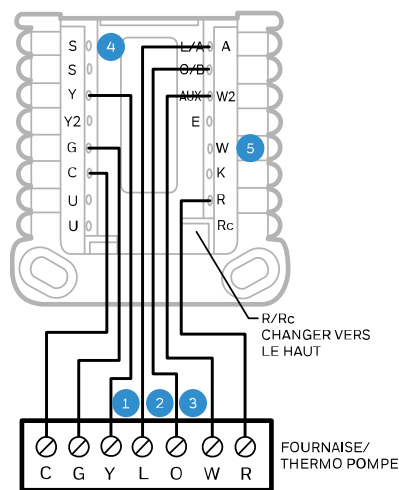
Modèle compatible: modèles TH2320 uniquement



MFCR39502

Bicombustible, 2H/1C : thermo pompe

Modèle compatible : modèles TH2320 uniquement



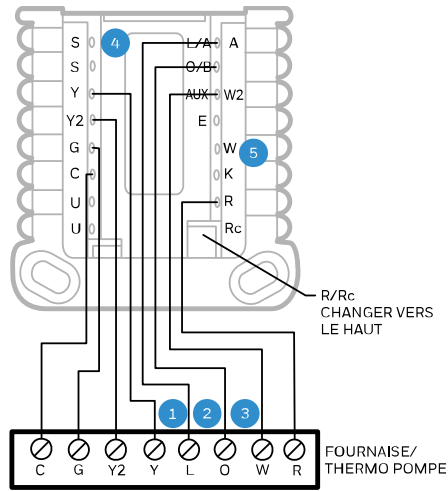
MFCR39503

- 1 : L CONNECTÉ UNIQUEMENT SI LA THERMO POMPE DISPOSE D'UN TERMINAL DE DÉFAUT.
- 2 : CERTAINES THERMO POMPES UTILISENT B AU LIEU DE O POUR LA VANNE D'INVERSION.
- 3 : SELON LES MODÈLES DE THERMO POMPES, LE TERMINAL DE CHAUFFAGE AUXILIAIRE PEUT ÊTRE ÉTIQUETÉ DIFFÉREMMENT DE CE QUI EST ILLUSTRÉ. CONSULTER LE GUIDE DE CÂBLAGE DE LA THERMO POMPE.
- 4 : LE CAPTEUR EXTÉRIEUR CÂBLÉ C7089U1006 PEUT ÊTRE UTILISÉ POUR LE POINT D'ÉQUILIBRE ET LE VERROUILLAGE DU CHAUFFAGE AUXILIAIRE SI VOUS LE SOUHAITEZ.
- 5 : LA PLUPART DES THERMO POMPES PARTAGENT LE MÊME JEU DE BANDES CHAUFFANTES POUR LE CHAUFFAGE AUXILIAIRE ET LE CHAUFFAGE D'APPOINT. DANS CES CAS, E N'EST PAS UTILISÉ. LES MODÈLES TH2320 PEUVENT ÊTRE CONFIGURÉS POUR DES AUX ET E SÉPARÉS. DANS CE CAS, CÂBLER UN JEU DE BANDES À E POUR QU'IL SOIT ALIMENTÉ EN CHAUFFAGE D'APPOINT ET UN AUTRE JEU DE BANDES À AUX POUR QU'IL SOIT ALIMENTÉ EN CHAUFFAGE AUXILIAIRE.
- 6 : **IMPORTANT : NE PAS CONNECTER DE FIL À W POUR LES APPLICATIONS DE THERMO POMPES ! CELA PEUT PROVOQUER UNE CHALEUR CONTINUE.**

- 1 : L CONNECTÉ UNIQUEMENT SI LA THERMO POMPE DISPOSE D'UN TERMINAL DE DÉFAUT.
- 2 : CERTAINES THERMO POMPES UTILISENT B AU LIEU DE O POUR LA VANNE D'INVERSION.
- 3 : LA THERMO POMPE ET LA FOURNAISE ONT DES CARTES SÉPARÉES. ILS SONT MONTRÉS ENSEMBLE ICI POUR SIMPLIFIER CE DIAGRAMME. W PROVIENT DE LA CARTE DE L'APPAREIL DE CHAUFFAGE.
- 4 : LE CAPTEUR EXTÉRIEUR CÂBLÉ C7089U1006 PEUT ÊTRE UTILISÉ POUR LE POINT D'ÉQUILIBRE SI VOUS LE SOUHAITEZ.
- 5 : **IMPORTANT : NE PAS CONNECTER DE FIL À W POUR LES APPLICATIONS DE THERMO POMPES ! CELA PEUT PROVOQUER UNE CHALEUR CONTINUE.**

Bi-combustible 3H/2C : Thermo pompe

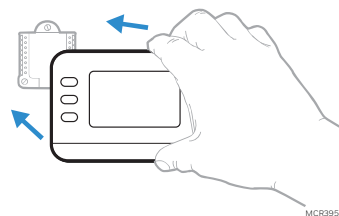
Modèle compatible: modèles TH2320
uniquement



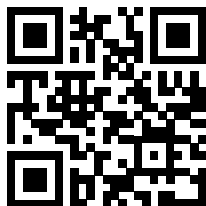
- 1 : **L** CONNECTÉ UNIQUEMENT SI LA THERMO POMPE DISPOSE D'UN TERMINAL DE DÉFAUT.
- 2 : CERTAINES THERMO POMPES UTILISENT **B** AU LIEU DE **O** POUR LA VANNE D'INVERSION.
- 3 : LA THERMO POMPE ET LA FOURNAISE ONT DES CARTES SÉPARÉES. ILS SONT MONTRÉS ENSEMBLE ICI POUR SIMPLIFIER CE DIAGRAMME. **W** PROVIENT DE LA CARTE DE L'APPAREIL DE CHAUFFAGE.
- 4 : LE CAPTEUR EXTÉRIEUR CÂBLÉ C7089U1006 PEUT ÊTRE UTILISÉ POUR LE POINT D'ÉQUILIBRE SI VOUS LE SOUHAITEZ.
- 5 : **IMPORTANT** : NE PAS CONNECTER DE FIL À **W** POUR LES APPLICATIONS DE THERMO POMPES ! CELA PEUT PROVOQUER UNE CHALEUR CONTINUE.

Montage du thermostat

1. Repousser l'excédent de fil dans l'ouverture murale.
2. Fermez la porte de l'UWP. Elle doit rester fermée sans gonfler.
3. Alignez l'UWP avec le thermostat et poussez doucement jusqu'à ce que le thermostat s'enclenche.
4. Allumez l'alimentation au niveau du disjoncteur ou de l'interrupteur.



Série S200: Scannez pour télécharger l'application **Resideo Pro**



Les thermostats Smart S200 peuvent être configurés à l'aide de l'application Resideo Pro.

Configuration et réglages

Options de l'installateur

Pour les modèles Smart S200 : une fois que la configuration initiale est terminée, le thermostat vous demandera si vous souhaitez effectuer la configuration sur l'appareil ou utiliser l'application.

Si vous sélectionnez **Utiliser l'application**, ouvrez l'application Resideo Pro et suivez les instructions.

Si vous choisissez **Sur l'appareil**, suivez les étapes décrites ci-dessous dans la section suivante « Configurer le thermostat ».

Si vous accédez au menu d'installation après la configuration initiale, suivez les étapes ci-dessous :

1. Appuyez et **prise** le bouton en bas à gauche et le bouton flèche vers le haut pendant 5 secondes pour accéder **MENU INSTALLATEUR**
2. Appuyez sur **↑** ou **↓** pour parcourir les options **du MENU INSTALLATEUR** Lorsque l'option du menu que vous souhaitez régler, s'affiche, appuyez sur **SÉLECTIONNER**.

Options du menu d'installation

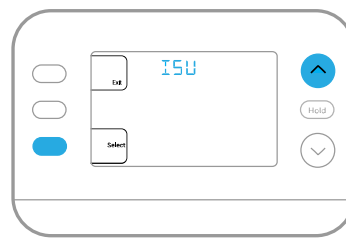
- **(ISU)**Options de configuration du programme d'installation
- **TEST**- Options de test de l'installateur
- **INFO**- Affiche un code utilisé par l'équipe de support technique de Resideo en cas de besoin
- **Réinitialiser**- Options de réinitialisation. **Réinitialiser l'horaire, le Wi-Fi S200**) ou **effectuer une réinitialisation d'usine**
- **REV**- STAT : Affiche la version du micrologiciel du thermostat. WiFi: Affiche la version WiFi.

Pour revenir à l'écran d'accueil, appuyez sur **EXIT** bouton (en haut à gauche) ou attendez que le thermostat s'arrête.

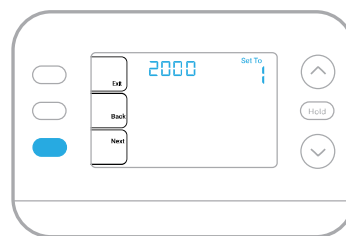
Configurez le thermostat

Lors de la configuration initiale, le thermostat accédera au menu ISU. Les modèles S200 vous demanderont si vous souhaitez effectuer la configuration sur l'appareil ou utiliser l'application. Si vous accédez au menu ISU sur l'appareil après la configuration initiale, suivez les étapes ci-dessous :

1. Appuyez et **maintenez enfoncés** le bouton en bas à gauche et maintenez la flèche vers le haut **↑** bouton pendant 5 secondes pour accéder au **MENU INSTALLATEUR**
2. Appuyez sur **↑** ou **↓** pour parcourir les options du **MENU INSTALLATEUR** Quand **ISU** s'affiche, appuyez sur **SÉLECTIONNER**
3. L'écran affiche le **numéro ISU** à gauche et le **réglage ISU** sur la droite. Lorsqu'un **numéro ISU** s'affiche, appuyez sur **↑** ou **↓** pour modifier le paramètre de cet ISU.
4. Après avoir choisi le réglage correct pour un ISU, appuyez sur **NEXT** pour passer au réglage suivant de l'ISU.
5. Pour terminer la configuration, appuyez sur la touche **SAVE & EXIT (enregistrer et sortir)** ; vos réglages sont alors enregistrés et vous revenez à l'écran d'accueil.



MCR39612



MCR39505

Options de configuration de l'installateur (ISU)

Selon les paramètres du système, il se peut que toutes les options ne soient pas disponibles		
#ISU	Nom de l'ISU	Options du ISU (les valeurs d'usine par défaut sont en en gras)
1040	Options de planification (l'horaire peut être activé ou éteint par l'utilisateur, avec le Menu > Horaire)	1 = 1 semaine (tous les jours sont identiques) 2 = 5-2 Programmable (séparer les jours de la semaine et de la fin de semaine) 3 = 5-1-1 Programmable (samedi et dimanche séparés) 4 = Programmable sur 7 jours (chaque jour séparément)
1050	Échelle d'indication de température	F = Fahrenheit C = Celsius
1060	Capteur extérieur (Modèles TH2320 uniquement)	0 = Aucun Capteur extérieur câblé 2 = Météo Internet (TH2320WF)
2000	Type de système de chauffage	1 = Chauffage conventionnel à air pulsé 2 = Thermo pompe 3 = Chauffage radiant : 5 = Aucun (refroidissement seulement)
2010	Type d'équipement de chauffage	<i>Chauffage conventionnel à air pulsé :</i> 1 = Air pulsé au gaz à efficacité standard 2 = Air pulsé au gaz à haute efficacité 3 = Air pulsé à l'huile 4 = Air pulsé électrique 5 = Ventilateur-convecteur à eau chaude 2 = Thermo pompe 7 = Thermo pompe air-air 8 = Thermo pompe géothermique <i>Chauffage radiant :</i> 9 = Chaleur radiante à eau chaude 12 = Vapeur
2060	Inversion de la polarité de la vanne	0= 0 (O/B sur Refroidissement. Le fil 0 est connecté au terminal O/B et contrôle le refroidissement) 1 = B (O/B sur chauffage. Le fil B est connecté au terminal O/B et contrôle le chauffage.) La documentation fournie avec votre équipement de thermo pompe devrait indiquer si la vanne d'inversion est alimentée en mode chauffage ou refroidissement
2070	Étapes du compresseur	0, 1, 2 Une seule étape de compresseur disponible sur les modèles TH2110

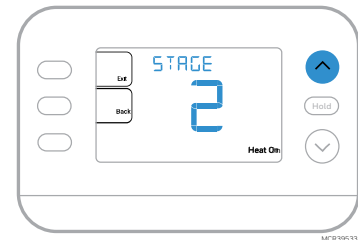
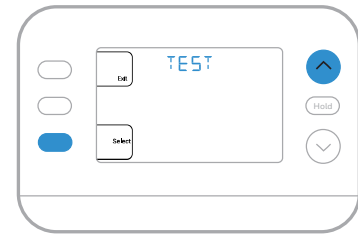
#ISU	Nom de l'ISU	Options du ISU (les valeurs d'usine par défaut sont en gras)	
2071	Phase de chauffage / phase de chauffage d'appoint	Phases de chauffage : 1, 2 Phases de chauffage d'appoint : 0, 1 (modèles TH2320 uniquement)	
2110	Commande du ventilateur en mode de chauffage (Affiché si 2010 = 4 ou 5)	1 = L'équipement contrôle du ventilateur 2 = Le thermostat contrôle du ventilateur	
2175	Contrôle du terminal Aux/E (Modèles TH2320 uniquement)	0 = Piloter les terminaux Aux et E ensemble 1 = Aux et E indépendants	
2180	Source de chaleur d'appoint (pour le thermo pompe seulement) (modèles TH2320 uniquement)	31 = Air pulsé électrique 32 = Air pulsé au gaz à rendement normal 33 = Air pulsé au gaz à haut rendement	
2185	Source de chaleur d'appoint (Modèles TH2320 uniquement)	34 = Air pulsé à l'huile, ventilo-convecteur à eau chaude 35 = Chauffage radiant à eau chaude 36 = Autre	
3000	Changement de système	0 = caché (manuel uniquement) 1 = Activé (Automatique disponible. En mode automatique, le thermostat passe automatiquement entre le chauffage et le refroidissement pour maintenir la température ambiante souhaitée. Cette option n'est pas recommandée si la température extérieure est souvent inférieure à 50F (10°C) pendant les mois d'hiver.)	
3015	Différentiel de changement automatique	0 °F à 5 °F 0,0 °C à 2,5 °C <i>Le réglage du différentiel est le chiffre minimum de degrés par rapport au point de consigne nécessaire pour passer du dernier mode en cours (chauffage ou refroidissement) au mode opposé lorsque le thermostat est en changement automatique.</i>	
3020	Finir avec une phase de chauffage élevé	0 = Non 1 = Oui (Modèles TH2320 uniquement)	
3021	Finir avec la phase de refroidissement élevé	0 = Non 1 = Oui (Modèles TH2320 uniquement)	
3090	Chute du chauffage d'appoint	[0] = Confort 2 °F à 15 °F (par incréments de 1 °F) 1,0 °C à 7,5 °C (par incréments de 0,5 °C). Le réglage 0 (confort) est disponible uniquement si le chauffage d'appoint (ISU 2180) est réglé sur Électrique. (TH2320 uniquement)	
3110	Minuterie en haut du chauffage d'appoint. (Si 3090 = 0 et 2180 = 31, 3110 n'a que les réglages 0-3)	0 = Arrêt 1 = 30 minutes 2 = 45 minutes 3 = 60 minutes 4 = 75 minutes 5 = 90 minutes 6 = 2 heures 7 = 3 heures	8 = 4 heures 9 = 5 heures 10 = 6 heures 11 = 8 heures 12 = 10 heures 13 = 12 heures 14 = 14 heures 15 = 16 heures
3120	Verrouillage du compresseur / point d'équilibre. 1060 doit être réglé sur 1 ou 2 (Modèles TH2320 uniquement)	Arrêt -15°F à 60°F (par incréments de 5°F) -26,0°C à 15,5°C (par incréments de 2,5°C ou 3,0°C)	
3121	Verrouillage extérieur du chauffage d'appoint (Modèles TH2320 uniquement)	Arrêt 5 °F à 65 °F (par incréments de 5 °F) -15,0 °C à 18,5 °C (par incréments de 2,5 °C ou 3,0 °C)	

#ISU	Nom de l'ISU	Options du ISU (les valeurs d'usine par défaut sont en gras)
3125	Verrouillage du ventilateur après un appel de refroidissement	[0] = éteint 1 = 5 min 9 = 45 min 17 = 85 min 2 = 10 min 10 = 50 min 18 = 90 min 3 = 15 min 11 = 55 min 19 = 95 min 4 = 20 min 12 = 60 min 20 = 100 min 5 = 25 min 13 = 65 min 21 = 105 min 6 = 30 min 14 = 70 min 22 = 110 min 7 = 35 min 15 = 75 min 23 = 115 min 8 = 40 min 16 = 80 min 24 = 120 min
3140	Vitesse du cycle du compresseur (phase 1)	1 – 6
3141	Vitesse du cycle du compresseur (phase 2)	1 – 6 (modèles TH2320 uniquement)
3150	Vitesse du cycle de chauffage (phase 1)	1 – 12
3151	Vitesse du cycle de chauffage (phase 2)	1 – 12 (modèles TH2320 uniquement)
3160	Vitesse du cycle de chauffage pour le chauffage auxiliaire	1 – 12 (modèles TH2320 uniquement)
3165	Vitesse du cycle de chauffage pour le chauffage d'appoint	1 – 12 (modèles TH2320 uniquement)
3240	Protection du compresseur	0 = éteint 1 - 5 minutes
4090	Récupération intelligente et adaptative	0 = Non 1 = Oui <i>La récupération intelligente et adaptative (AIR) est un réglage de confort. Les appareils de chauffage ou de refroidissement se mettront en marche plus tôt, ce qui garantit que la température intérieure correspondra au point de consigne à l'heure prévue.</i>
4100	Point de consigne de refroidissement maximum	50 °F à 99 °F (99 °F) 10 °C à 37 °C (37 °C)
4101	Point de consigne de refroidissement minimum	50 °F à 99 °F (50 °F) 10,0 °C à 37,0 °C (10,0 °C)
4102	Point de consigne de chauffage maximum	32 °F à 90 °F (90 °F) 0,0 °C à 32,0 °C (32,0 °C)
4103	Point de consigne de chaleur minimum	32 °F à 90 °F (40 °F) 0 °C à 32,0 °C (4,5 °C)
4110	Verrouillage du clavier	0 = Désactivé 1 = Activé

#ISU	Nom de l'ISU	Options du ISU (les valeurs par défaut sont en gras)	
7020	Nombre de filtres à air	0 - 2	
7110	Filtre à air 1 Rappel de remplacement	0 = éteint 1 = 10 jours de fonctionnement 2 = 20 jours de fonctionnement 3 = 30 jours de fonctionnement 4 = 45 jours de fonctionnement 5 = 60 jours de fonctionnement 6 = 90 jours de fonctionnement 7 = 120 Durée de fonctionnement Jours 8 = 150 jours de fonctionnement 9 = 30 jours de calendrier	10 =45 jours de calendrier 11 =60 jours de calendrier 12 =75 jours de calendrier 13 =3 mois de calendrier 14 =4 mois de calendrier 15 =5 Mois de calendrier 16 =6 Mois de calendrier 17 =9 Mois de calendrier 18 =12 mois de calendrier 19 =15 mois de calendrier
7111	Filtre à air 2 Rappel de remplacement		
14003	Écran noir	0 = Sur demande 1 = Continu <i>Un fil commun est nécessaire pour le mode continu.</i>	
14004	Luminosité de l'Écran noir	1 - 5 <i>Affiché uniquement si l'Écran noir continu est sélectionné.</i>	
14005	Sélection de l'écran de veille	0 - Informations minimales affichées 1 - Point de consigne affiché sur l'écran de veille 2 - Informations maximales affichées sur l'écran de veille	
14006	Centre de messages de l'écran de veille (Modèles WiFi uniquement) Remarque : lorsque ISU 1060 = 1, la température extérieure peut être visualisée sur l'appareil sous « MENU », puis « TEMP »	1 - Heure 2 - Température extérieure (ISU 1060 = Internet, câblé) 3 - Humidité extérieure (ISU 1060 = Internet) 4 - Humidité intérieure	
14007	Centre de messages de l'écran d'accueil (Modèles WiFi uniquement) Remarque : lorsque ISU 1060 = 1, la température extérieure peut être visualisée sur l'appareil sous « MENU », puis « TEMP »	1 - Heure 2 - Température extérieure (ISU 1060 = Internet, câblé) 3 - Humidité extérieure (ISU 1060 = Internet) 4 - Humidité intérieure	
14010	Format de l'horloge	12/24	
14015	Heure d'été	0 = éteint 1 = Activé	
14020	Écart de la température affichée	-3 à 3 F (0) -1,5 à 1,5 C (0)	

Test de l'installateur

1. Appuyez et maintenez le bouton enfoncé en bas à gauche et maintenez la flèche vers le haut pendant 5 secondes pour accéder à l'INSTALLER MENU (MENU DE L'INSTALLATEUR)
2. Pressez **↑** ou **↓** pour faire défiler **les options du INSTALLER MENU (MENU DE L'INSTALLATEUR)** jusqu'à ce que vous voyiez **TEST**, puis appuyez sur **SELECT (SELECTIONNER)**
3. L'écran affiche le mode de test en cours. Pour tester le mode affiché, appuyez sur **↑**. Si vous testez le chauffage ou le refroidissement d'un produit à plusieurs étapes, appuyez une seconde fois sur le bouton **↑** et il indiquera un appel pour l'étape 2.
4. Appuyez sur **NEXT (Suivant)** pour passer au mode suivant du menu de test. Les paramètres possibles dans le menu de test sont **Heat (Chauffage)**, **Cool (Refroidissement)**, **Em Heat (Chauffage d'appoint)**, **Fan (Ventilateur)**
5. Appuyez sur **EXIT** une fois le test terminé.



Test du système	État du système	
Les zones ombrées ci-dessous s'appliquent <u>uniquement</u> aux modèles TH2320		
HEAT (chauffage)	0	Tout est éteint
	1	Phase de chauffage 1 activée (On)
	2	Phase de chauffage 2 également activée (On)
	3	Phase de chauffage 3 également activée (On)
Refroidissement (Cool)	0	Tout est éteint
	1	Phase de refroidissement 1 activée (On)
	2	Phase de refroidissement 2 également activée (On)
EM HEAT (chauffage d'appoint)	0	Tout est éteint
	1	EM HEAT (chauffage d'appoint)
Fan (Ventilateur)	0	Fan Off (Ventilateur éteint)
	1	Fan On (Ventilateur en marche)

Options du menu utilisateur

Une fois la configuration initiale terminée, vous pouvez accéder au menu utilisateur.

1. Pressez **le bouton de menu**
2. Appuyez sur **↑** ou **↓** pour parcourir les options **du menu utilisateur**. Lorsque l'option du menu que vous souhaitez utiliser s'affiche, appuyez sur **SELECT (SÉLECTIONNER)**

Options du menu utilisateur

Remarque : lorsqu'une alerte ou un rappel est actif, il sera le premier élément affiché sous le Menu

- **SCHEDULE (HORAIRE)**: Activer ou désactiver la programmation, ou définir/modifier les paramètres de la programmation
 - **APP (APPLICATION)** : Utilisez l'application (S200)
 - **Wi-Fi**: Activé ou désactivé
 - **TEMP (température)** : Affichage de la température extérieure ou intérieure *
 - **DATE**: Définir la date
 - **TIME (heure)**: Régler l'heure
 - **LOCK (verrouillage)****: modifier l'état de verrouillage [**OFF (désactivé)**, **FULL (complet)** ou **PART (partiel)**]. Le verrouillage partiel permet uniquement un changement temporaire du point de consigne.
3. Pour quitter et revenir à l'écran d'accueil, appuyez sur le bouton **EXIT (sortir)** (en haut à gauche) ou attendez que le thermostat s'arrête.

*L'option extérieure n'est affichée que si l'ISU 1060 est réglé pour utiliser un capteur extérieur câblé ou Internet

** L'option de verrouillage s'affiche uniquement si l'ISU 4110 est réglé sur Verrouillage activé

Régler l'heure et la date

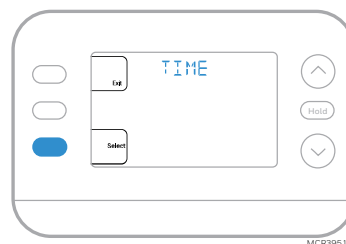
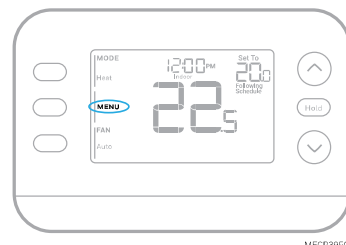
L'heure et la date sont réglées automatiquement lorsque le client enregistre le thermostat sur un compte First Alert.

Heure

1. Appuyez sur **MENU** sur le thermostat
2. Pressez **↑** ou **↓** allez à **TIME (TEMPS)** et appuyez sur **SELECT (SÉLECTIONNER)**
3. Pressez **↑** ou **↓** pour choisir le format d'horloge, 12 ou 24 heures, et appuyez sur **NEXT (SUIVANT)**
4. Appuyez sur **↑** ou **↓** pour régler l'heure et appuyez sur **NEXT (SUIVANT)**.
5. Pressez **↑** ou **↓** pour ajuster les **minutes** et appuyez sur **SAVE & EXIT (enregistrer et sortir)**

Date

1. Appuyez sur **MENU** sur le thermostat
2. Pressez **↑** ou **↓** allez à **DATE** et appuyez sur **SELECT (SÉLECTIONNER)**
3. Pressez **↑** ou **↓** choisir **ANNÉE** et appuyez sur **NEXT (SUIVANT)**
4. Pressez **↑** ou **↓** choisir **MONTH (MOIS)** et appuyez sur **NEXT (SUIVANT)**
5. Appuyez sur **↑** ou sur **↓** pour choisir **DATE** et appuyez sur **SAVE & EXIT (enregistrer et sortir)**



Réglages du fonctionnement du système

1. Appuyez sur la touche **MODE** pour passer au mode suivant du système
 2. Faites défiler les modes jusqu'à ce que le mode souhaité s'affiche
- Les modes système disponibles varient selon le modèle et les paramètres système

Modes du système:

- **AUTO (automatique)**
- **HEAT (chauffage)**
- **COOL (refroidissement)**
- **EM HEAT (chauffage d'appoint)**
- **OFF (Éteint)**

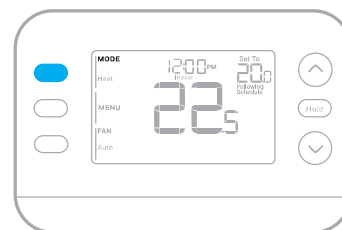
Réglages du fonctionnement du ventilateur

1. Appuyez sur le bouton FAN (ventilateur) pour passer au prochain mode de ventilation disponible.
2. Faites défiler les modes jusqu'à ce que le mode de ventilation souhaité s'affiche

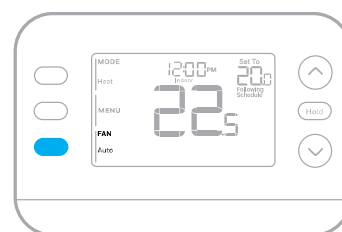
Les modes de ventilation disponibles varient en fonction des réglages du système.

Modes de ventilation:

- **AUTO (automatique)** : le ventilateur fonctionne uniquement lorsque le système de chauffage ou de refroidissement est en marche
- **ON (allumé) s'affiche** : le ventilateur fonctionne en permanence
- **CIRC (Circulation)** : Le ventilateur fonctionne de manière environ 33% du temps pour faire circuler l'air



MFCR39511



MFCR39512

Changement automatique

Lorsqu'un thermostat est réglé sur changement automatique, le thermostat dispose d'un point de consigne de chauffage et d'un point de consigne de refroidissement et peut fonctionner en mode chauffage ou refroidissement selon les besoins.

1. Vérifiez que le thermostat est réglé sur le mode de changement automatique. Appuyez sur la touche **MODE** en haut à gauche jusqu'à ce qu'**AUTO (automatique)** soit sélectionné. Appuyez sur le bouton **SAVE (enregistrer)** (centre gauche).
2. Appuyez sur le **↑** ou **↓** bouton. En haut à droite, affiche **HEAT TO (chauffage à)** ou **COOL TO (refroidissement à)** dans texte clignotant et le point de consigne. Utilisez les touches **↑** ou **↓** pour régler le point de consigne. Si l'écran affiche **HEAT TO (chauffage à)** clignotant, alors que vous souhaitez régler le point de consigne Cool (refroidissement), ou inversement, appuyez sur le bouton System. Lorsque **HEAT TO (chauffage à)** ou **COOL TO (refroidissement à)** clignote, l'indication en haut à gauche montre **HEAT (chauffage)** ou **COOL (refroidissement)** clignotant. En appuyant sur la touche **MODE** à ce moment-là, le point de consigne réglé passe de **HEAT (chauffage)** à **COOL (refroidissement)** ou vice-versa.

Chauffage et refroidissement réglés à la même température

La plupart des clients se sentent à l'aise dans une fourchette de température de 2 à 3 degrés. Par conséquent, le chauffage est généralement réglé quelques degrés en dessous du point de consigne de refroidissement. Lorsque la température intérieure se situe entre les points de consigne de chauffage et de refroidissement, le système est éteint.

Les points de consigne de chauffage et de refroidissement peuvent être identiques. Pour s'assurer que le système ne passe pas du chauffage au refroidissement, le thermostat observe un réglage **différentiel** (défini par l'installateur). Si le thermostat a fonctionné la dernière fois en mode Chauffage, il allume et éteint le chauffage pour maintenir le point de consigne. La température intérieure doit s'élever jusqu'au réglage différentiel avant que l'appareil passe en mode refroidissement.

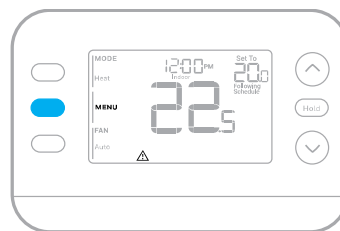
Ensuite, le refroidissement s'effectue jusqu'au point de consigne de refroidissement et le cycle de refroidissement s'active et se désactive pour maintenir la température en fonction des besoins. Le thermostat devra alors descendre jusqu'au réglage différentiel avant de repasser en mode chauffage. En règle générale, un thermostat utilisant le changement automatique n'a besoin de commuter que deux fois par jour lorsque la température extérieure augmente pendant la journée et baisse le soir.

Alertes

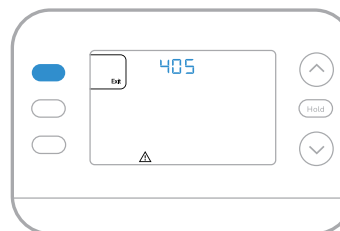
Lorsqu'une alerte est active, un L'icône  apparaîtra dans la partie inférieure de l'écran.

1. Appuyez sur **MENU** et utilisez **↑** ou **↓** jusqu'à ce que l'alerte soit affichée. Les alertes actives seront les premiers éléments de menu affichés.
2. Appuyez sur **SELECT (sélectionner)** pour afficher le numéro de l'alerte.
3. Une alerte ne peut pas être supprimée. S'il y a plus d'une alerte active, appuyez sur le bouton **NEXT (SUIVANT)** vous permettant d'afficher les numéros d'alerte supplémentaires. Appuyez sur **EXIT (quitter)** pour revenir à l'écran d'accueil.

Certaines alertes peuvent être résolues par le propriétaire, par exemple **Remplacer les piles**. D'autres alertes peuvent nécessiter un appel de service à l'installateur professionnel.



MFCR39551



MFCR39514

Numéro d'alerte	Signification de l'alerte
405	Les piles du thermostat sont faibles. Remplacez les piles.
407	Les piles du thermostat sont extrêmement faibles. Remplacez les piles.
164	Entrée défaut thermo pompe. La thermo pompe alimente le terminal L pour indiquer un défaut.
170	Panne de mémoire du thermostat. Problème interne avec la mémoire du thermostat.
171	Régler l'heure et la date. Pour effacer cette alerte, accédez au menu et suivez les étapes répertoriées précédemment dans ce manuel pour régler l'heure et la date.
173	Erreur de capteur interne. Problème avec le capteur de température intégré.
178	Erreur de capteur extérieur câblé. Vérifiez les fils et les connexions au capteur extérieur
388	Inscrivez-vous en ligne
399	WiFi, connexion Internet perdue *
400	WiFi, pas de signal *
602	Erreur du capteur d'humidité interne
607	Erreur de réseau WiFi *

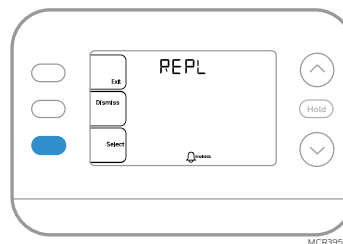
* Les alertes WiFi ne s'afficheront pas lorsque le WiFi est réglé sur OFF (Désactivé) dans le menu WiFi *

Rappels

Lorsqu'un rappel est actif, une icône 🔔 apparaîtra dans la partie inférieure de l'écran.

1. Appuyez sur **MENU** et utilisez ↑ ou ↓ jusqu'à ce que le rappel actif soit affiché. Les alertes et les rappels actifs seront les premiers éléments affichés au menu.
2. Appuyez sur **SELECT (sélectionner)** pour afficher le rappel.
3. Une fois sélectionné, vous verrez le message de rappel sous forme de texte défilant. Appuyez sur **DISMISS (IGNORER)** pour réinitialiser le rappel ou appuyez sur **EXIT (QUITTER)** pour revenir à l'écran d'accueil sans réinitialiser le rappel.

S'il y a plus d'un rappel actif, appuyez sur le bouton **NEXT (SUIVANT)** pour afficher tous les rappels qui n'ont pas été réinitialisés.



Programmer l'horaire

Lorsque le client enregistre un thermostat S200 sur l'application Resideo, il peut choisir d'utiliser les services de géorepérage plutôt qu'un programme basé sur un horaire.

Vous pouvez programmer quatre périodes par jour, avec des réglages différents pour les jours de semaine et les fins de semaine. Nous vous recommandons d'utiliser les pré-réglages indiqués dans le tableau ci-contre ; ces pré-réglages sont conçus pour réduire vos dépenses de chauffage/refroidissement.

WAKE (réveil) : réglez l'heure de votre réveil et la température souhaitée pendant la matinée jusqu'à ce que vous partiez pour la journée.

AWAY (absent) : réglez l'heure à laquelle vous quittez votre domicile et la température souhaitée pendant votre absence (généralement une température permettant d'économiser de l'énergie).

HOME (maison) : réglez à l'heure à laquelle vous rentrez chez vous et la température souhaitée pour le soir jusqu'à l'heure du coucher.

SLEEP (nuit) : réglez l'heure du coucher et la température souhaitée pour la nuit (généralement une température d'économie d'énergie).

	Chauffage	Refroidissement
Wake (réveil) (6:00 am)	21.0°	25.5°
Away (absent) (8:00 am)	16.5°	29.5°
Home (maison) (6:00 pm)	21.0°	25.5°
Sleep (nuit) (10:00 pm)	16.5°	28.0°

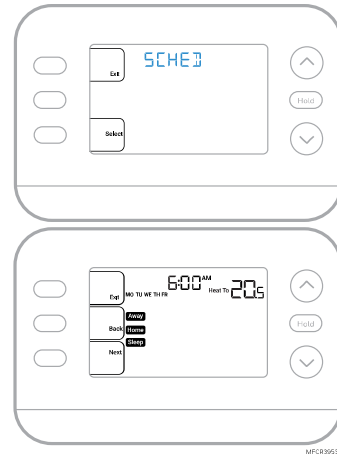
Degrés Celsius MF36013

Ajustement des programmes d'horaire

1. Appuyez sur **MENU**, puis appuyez sur **↑** ou **↓** jusqu'à ce que **SCHE (horaire)** s'affiche.
2. Un carré apparaît autour de **ON (allumé)** ou **OFF (éteint)** sur l'écran. Si vous souhaitez utiliser un horaire, appuyez sur **↑** ou **↓** sélectionner **ON (allumé)**. Appuyez sur Sélectionnez pour modifier la programmation ou appuyez sur EXIT pour quitter le menu.
3. Si vous modifiez l'horaire, appuyez sur **SELECT (sélectionner)** pour modifier le jour ou les jours qui clignotent à l'écran.
4. Le mot "**WAKE (réveil)**" devrait clignoter. Appuyez sur **NEXT (suivant)**. Appuyez sur **↑** ou **↓** pour activer ou désactiver cet horaire. Appuyez sur **NEXT (suivant)**.
5. Si l'horaire a été réglé sur **ON (allumé)**, l'heure clignotera. Appuyez sur **↑** ou **↓** pour ajuster l'heure de cette période. Appuyez sur **NEXT (suivant)**.
6. Le point de consigne de la chaleur clignote. Appuyez sur **↑** ou **↓** pour régler le point de consigne de chauffage pour cette période. Appuyez sur **NEXT (suivant)**.
7. Le point de consigne de refroidissement clignotera. Appuyez sur **↑** ou **↓** pour régler le point de consigne de refroidissement pour cette période. Appuyez sur **NEXT (suivant)**.
8. L'écran affiche la prochaine période de programmation en clignotant. Répétez les étapes 4 à 7 pour les réglages des programmes Absent, Domicile et Sommeil. Après avoir effectué tous les réglages de l'horaire pour le(s) jour(s) sélectionné(s), répétez ces étapes pour les autres jours.
9. Appuyez sur le bouton **SAVE & EXIT** en haut à gauche.

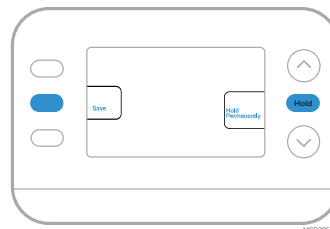
Lorsque vous modifiez un programme existant, vous pouvez accéder au paramètre que vous souhaitez modifier. Modifiez ce paramètre et appuyez sur **SAVE (enregistrer) & EXIT (sortir)** pour enregistrer les modifications.

Selon le type d'horaire pour lequel le thermostat a été configuré, les jours peuvent être groupés ou réglés individuellement.



Annulation (temporaire) de la programmation

1. Appuyez sur **↑** ou **↓** pour régler la température.
2. Une fois que la température de consigne souhaitée est atteinte, aucune autre action n'est nécessaire. La nouvelle température de consigne est maintenue jusqu'au début de la prochaine période programmée.
3. Appuyez sur la touche **SAVE** ou attendez que l'affichage se termine et revenez à l'écran d'accueil.
Pour annuler la mise en attente temporaire, appuyez et relâchez la touche **HOLD (tenir)** pour faire défiler les paramètres jusqu'à ce que **CANCEL HOLD (annuler tenir)** soit sélectionné.



Remplacement de l'horaire du programme (permanent)

1. Appuyez sur **↑** ou **↓** pour régler la température.
2. Une fois la température de consigne souhaitée atteinte, appuyez et relâchez le bouton **HOLD (tenir)** pour parcourir les paramètres jusqu'à ce que **HOLD PERMANENTLY (tenir en permanence)** soit sélectionné.
3. Appuyez sur le bouton **ENREGISTRER** ou attendez que l'affichage s'éteigne et revienne à l'écran d'accueil.

Pour annuler la mise en attente permanente, appuyez et relâchez la touche **HOLD (tenir)** pour parcourir les paramètres jusqu'à ce que **CANCEL HOLD (annuler tenir)** soit sélectionné.

Verrouillage du clavier

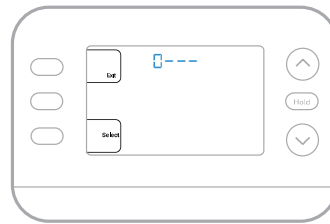
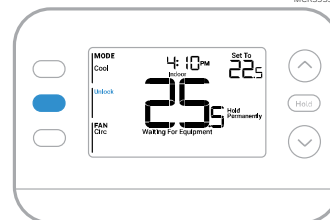
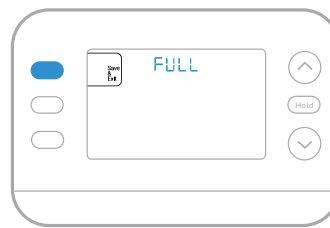
1. Appuyez sur MENU sur le thermostat.
2. Appuyez sur **↑** ou **↓** aller à **LOCK (verrouillage)**. Appuyez sur **SELECT (sélectionnez)**.
3. Pressez **↑** ou **↓** allez à **OFF (désactivé)**, **PART (partie)** ou **ON (activé)** puis appuyez sur **SELECT (sélectionnez)**.

OFF (désactivé) : Déverrouillé et accès total autorisé.

PART (partie) : Verrouillage partiel, permettant uniquement de modifier la température.

ON (activé) : Aucun accès n'est autorisé.

4. Appuyez sur le bouton **SAVE & EXIT (enregistrer et sortir)**.



Déverrouillage du clavier

1. Si le clavier est verrouillé (partiellement ou totalement), l'écran affichera **UNLOCK (DÉVERROUILLER)** à côté du bouton central gauche.
2. Pour déverrouiller le clavier, appuyez sur la touche centrale gauche jusqu'à ce que l'écran affiche un **0 et trois tirets** dans la partie supérieure de l'écran.
3. Entrez le mot de passe "1234". Pour entrer le mot de passe, appuyez sur **↑** ou **↓** pour changer le premier chiffre du numéro.
4. Appuyez sur **SELECT (sélectionnez)**.
5. Répétez ce processus pour saisir le deuxième à quatrième chiffres du numéro. Une fois les quatre numéros sont saisis, appuyez à nouveau sur **SELECT (sélectionnez)**. Cela déverrouillera le clavier.
6. Si la saisie est incorrecte, appuyez sur **BACK (retour)** pour revenir en arrière d'une étape afin de saisir le numéro correct et appuyez sur **SELECT (sélectionnez)**.

L'option de verrouillage du clavier est disponible dans le menu utilisateur **UNIQUEMENT SI** l'installateur a spécifiquement configuré le thermostat pour autoriser cette option.

Récupération intelligente et adaptative

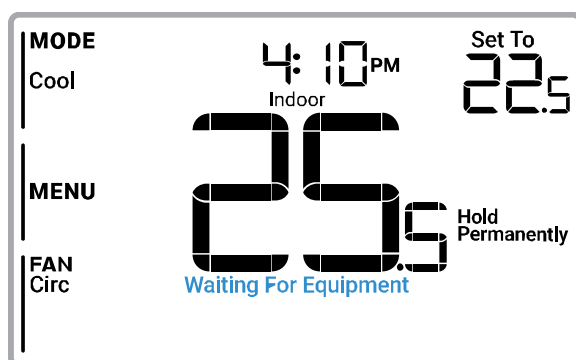
Active Recovery (Récupération Active) apparaît sur l'écran sous la température ambiante lorsque le thermostat passe d'une température de réduction à une température de confort.

Au fil du temps, le thermostat FocusPRO® P200 ou S200 « apprend » combien de temps il faut à votre système pour atteindre les températures souhaitées. Le thermostat active le système de chauffage ou de refroidissement en fonction des besoins pour assurer votre confort aux heures prévues.

Protection intégrée du compresseur

Des dommages peuvent survenir si le compresseur de votre système est redémarré trop tôt après l'arrêt. Cette fonction oblige le compresseur à attendre quelques minutes avant de redémarrer. Pendant le temps d'attente, l'écran affichera le message **Waiting for Equipment (en attente de l'équipement)** sous la température ambiante.

Une fois le temps d'attente écoulé, le message disparaît et le thermostat affiche "Heat on" (chauffage activé) ou "refroidissement activé".



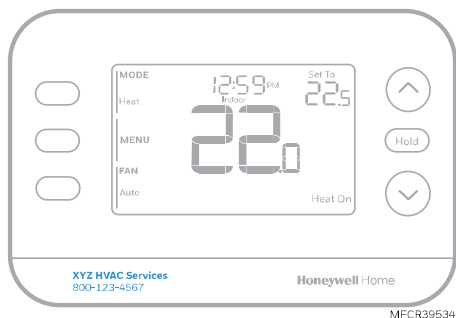
MFCR39528

Installation/remplacement d'une pièce décorative

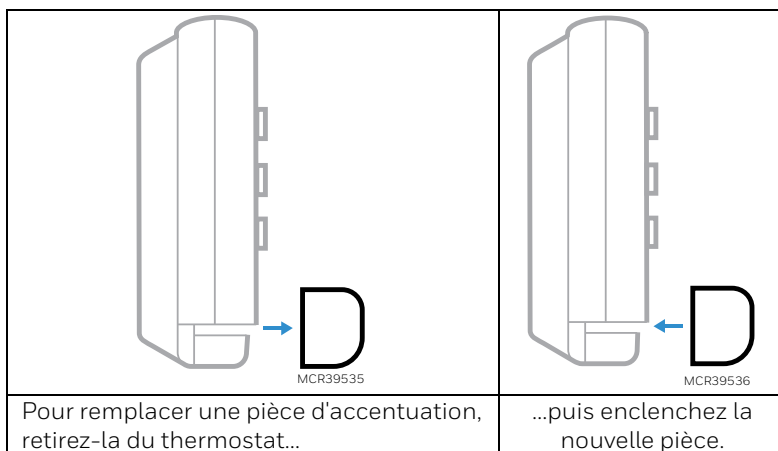
Pièce décorative de marque privée pour les modèles FocusPRO® N100, P200 et S200

Des pièces de rechange de marque privée pour les thermostats N100, P200 et S200 peuvent être commandées. Des informations sur le programme de marque privée sont disponibles à l'adresse suivante :

resideo.com/us/en/pro/private-label-program



Des exemples de pièces décoratives de marque privée qui peuvent être commandées pour les thermostats énumérés ci-dessus.



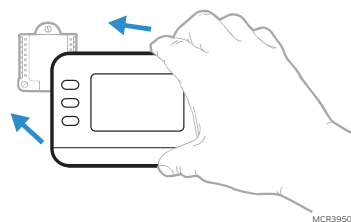
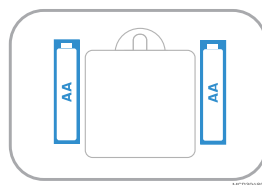
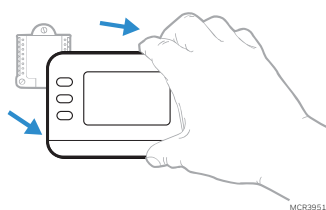
Voir la vidéo sur:



Remplacement de la batterie (modèles P200 uniquement)

L'écran du thermostat vous indiquera lorsque les piles sont faibles et doivent être remplacées.

- 1 Retirez le thermostat en le retirant de son support comme indiqué ci-dessous.
- 2 Veillez à utiliser des piles AA **neuves** et à les insérer comme indiqué.
- 3 Après avoir inséré les nouvelles batteries, alignez le thermostat avec la plaque murale UWP et poussez doucement jusqu'à ce que le thermostat se remette en place.



Dépannage

<p>L'écran est vide</p>	<ul style="list-style-type: none"> • Vérifiez le disjoncteur et le réinitialisez si nécessaire • Assurez-vous que l'interrupteur d'alimentation du système de chauffage et de refroidissement est allumé • Assurez-vous que la porte de la fournaise est bien fermée • Assurez-vous que les piles alcalines AA neuves sont correctement installées Voir Remplacement de la batterie (modèles P200 uniquement)
<p>Le chauffage ou le refroidissement ne fonctionne pas</p>	<ul style="list-style-type: none"> • Lorsque le chauffage fonctionne, l'écran affiche HEAT ON (chauffage allumé) dans le coin inférieur droit de l'écran • Lors du fonctionnement du refroidissement, l'écran affiche COOL ON (refroidissement allumé) dans le coin inférieur droit de l'écran • Si l'écran affiche WAITING FOR EQUIPMENT (en attente de l'équipement) sous la lecture de la température, le système est en mode de retardement du compresseur pour se protéger. Attendez 5 minutes pour déterminer si le thermostat émet un appel de chaleur ou de froid • Si l'écran n'indique pas un appel de chauffage ou de refroidissement ou WAITING FOR EQUIPMENT (en attente de l'équipement), vérifiez le réglage, le point de consigne de température et la température ambiante Si vous appuyez sur la flèche vers le haut ou vers le bas • La partie supérieure gauche de l'écran affiche le réglage • La partie supérieure droite de l'écran affiche le point de consigne • Le centre de l'écran affiche la température ambiante <p>Si le problème persiste</p> <ul style="list-style-type: none"> • Vérifiez le disjoncteur et le réinitialisez si nécessaire • S'assurer que l'interrupteur du système de chauffage et de refroidissement est en marche • Assurez-vous que la porte de la fournaise est bien fermée
<p>Le chauffage ou le chauffage auxiliaire fonctionne avec le refroidissement</p>	<ul style="list-style-type: none"> • Vérifiez qu'il n'y a pas de fil connecté à W pour les systèmes de thermo pompe. Voir Diagrammes de câblage • Pour les applications de thermo pompe, la vanne d'inversion est activée en mode chauffage sur certaines thermo pompes et en mode refroidissement pour d'autres thermo pompes. Vérifier que l'unité ISU 2060 est réglée correctement • Vérifiez qu'aucun fil n'est court-circuité. Vérifier qu'il n'y a pas de section de fil exposée au niveau de la plaque murale UWP
<p>Le chauffage ou le chauffage d'appoint fonctionne sans demande de chauffage ou de refroidissement</p>	<ul style="list-style-type: none"> • Vérifier que l'écran n'indique pas HEAT ON, COOL ON ou AUX HEAT ON • Vérifiez qu'il n'y a pas de fil connecté à W pour les systèmes de thermo pompe. Voir Diagrammes de câblage • Vérifiez qu'aucun fil n'est court-circuité. Vérifier qu'il n'y a pas de section de fil exposée au niveau de la plaque murale UWP
<p>Si c'est impossible de modifier le point de consigne pour obtenir le réglage souhaité</p>	<ul style="list-style-type: none"> • Si l'écran indique UNLOCK (DÉVERROUILLER) à côté du bouton central gauche, voir Verrouillage du clavier • Sinon, vérifiez le réglage du (chauffage, refroidissement, automatique ou chauffage d'appoint en haut à gauche de l'écran) <p>Les plages de réglage pour ces modes sont les suivantes</p> <ul style="list-style-type: none"> ○ Chauffage ou chauffage d'appoint : 0 °C à 32,0 °C (32 °F à 90 °F) ○ Refroidissement : 10,0 °C à 37,0 °C (50 °F à 99 °F) <p>Si le point de consigne peut être ajusté, mais pas sur toutes les plages indiquées ci-dessus, le thermostat peut être configuré pour un point de consigne de chauffage maximum ou de refroidissement minimum afin de limiter les réglages qui sont inefficaces sur le plan énergétique.</p>
<p>WAITING FOR EQUIPMENT (En attente de l'équipement) Affiché à l'écran à température ambiante</p>	<p>La fonction de protection du compresseur est activée. Attendez quelques minutes pour que le système redémarre en toute sécurité afin d'éviter d'endommager le compresseur. Voir la protection du compresseur intégrée.</p>

Spécifications

Plages de température

Chaleur : 0 °C à 32,0 °C (32 °F à 90 °F)

Refroidissement : 10,0 °C à 37,0 °C (50 °F à 99 °F)

Température ambiante de travail

0 °C à 48,9 °C (32 °F à 120 °F)

Température ambiante de fonctionnement

0 °C à 38,9 °C (32 °F à 102 °F)

Température d'expédition

-28,9 °C à 48,9 °C (-20 °F à 120 °F)

Humidité relative de fonctionnement

5 % à 90 % (sans condensation)

Dimensions physiques en pouces ou en mm (H x L x P)

Thermostat :

5-1/8" L x 3-7/16" H x 1-3/16" P

130 mm L x 87 mm H x 29,5 mm P

Plaque de recouvrement :

6-1/16" L x 4-3/5" H

154 mm de largeur x 117 mm de hauteur

Caractéristiques électriques

a) Puissance d'entrée de l'appareil – CA 1,1 VA, 24 Volts Courant alternatif nominale (20-30 VCA), 60 Hz

b) Capacités de charge – voir ci-dessous

c) Piles – deux piles AA de 1,5 V (modèles P200 uniquement)

Terminal	Tension (60 Hz)	Courant de fonctionnement
W Chauffage	24 VCA	0.02-1.0 A
W Chauffage	750 mV CC	100 mA CC
W2 (Aux) Chauffage	24 VCA	0.02-1.0 A
E Chauffage d'appoint	24 VCA	0.02-0.5 A
Y Etape 1 du compresseur	24 VCA	0.02-1.0 A
Y2 Etape 2 du compresseur	24 VCA	0.02-1.0 A
G Ventilateur	24 VCA	0.02-0.5 A
O/B Passage	24 VCA	0.02-0.5 A
L/A Entrée	24 VCA	0.02-0.5 A

* Les thermostats intelligents peuvent avoir 750 MV de chauffage câblé à R et W mais nécessitent 24 VAC à Rc et C

Avis de sécurité et d'environnement



ATTENTION : RISQUE ÉLECTRIQUE

Peut provoquer un choc électrique ou des dommages matériels. COUPEZ L'ALIMENTATION AVANT DE COMMENCER L'INSTALLATION.



ATTENTION : RISQUE DE DOMMAGES À L'ÉQUIPEMENT

La protection du compresseur est contournée pendant les tests. Pour éviter d'endommager l'équipement, évitez de faire tourner le compresseur rapidement.



ATTENTION : AVIS CONCERNANT LE MERCURE

Si ce produit remplace un contrôle contenant du mercure dans un tube scellé, ne jetez pas l'ancien contrôle à la poubelle. Contactez les autorités locales chargées de la gestion des déchets pour obtenir des instructions concernant le recyclage et l'élimination correcte des lampes usagées.



ATTENTION : AVIS SUR LES DÉCHETS ÉLECTRONIQUES

Le produit et les piles ne doivent pas être jetés avec les autres déchets ménagers. Vérifiez les centres de collecte agréés les plus proches ou les recycleurs agréés. L'élimination correcte des équipements en fin de vie contribuera à prévenir les conséquences négatives pour l'environnement et la santé humaine.

Déclaration FCC disponible à l'adresse suivante : <https://customer.resideo.com/en-US/support/residential/codes-and-standards/FCC15105/Pages/default.aspx>

Assistance à la clientèle

Pour obtenir de l'aide sur ce produit, veuillez consulter le site customer.resideo.com

Ou appelez le service clientèle de Resideo au numéro gratuit **1-800-633-3991**

Garantie limitée de 5 ans

Pour obtenir des informations sur la garantie, rendez-vous sur honeywellhome.com/support

Honeywell Home

FocusPRO®

Termostatos Series P200 y S200

Manual de instalación

LEA ANTES DE INSTALAR

El empaque incluye:

- Termostato FocusPRO® serie P200 o S200
- Cubierta de pared UWP
- Cubierta decorativa con adaptador J-Box
- Tornillos y taquetes
- 2 baterías AA (modelos P200)
- Material de Lectura para el termostato

Compatibilidad (sólo para uso en interiores)

Los Modelos **TH2110U4004** y **TH2110WF4008** son compatibles con sistemas de calefacción y refrigeración de una sola etapa de 24V c.a., incluidos:

- Bombas de calor sin calefacción auxiliar
- Sistemas de aire forzado a gas/gasóleo/eléctrico
- Sistemas de refrigeración de una etapa
- Sistemas de calor radiante hidrónico
- Serpentin de agua caliente
- 750MV (Se necesitan 24V c.a. en RC y C en los modelos S200. 750 MV a R y W; consulte la **sección [Designación de las terminales de cableado.](#)**

Los modelos **TH2320U4006** y **TH2320WF** son compatibles con la mayoría de los sistemas de calefacción y refrigeración de 24 V c.a., incluidos:

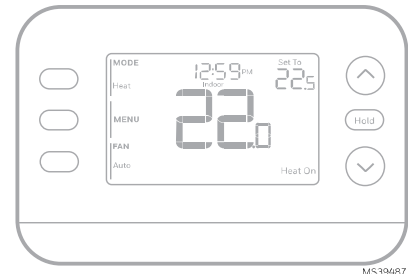
- Bombas de calor con 1 ó 2 etapas de compresor y calefacción auxiliar
- Sistemas de combustible dual
- Sistemas de aire forzado a gas/gasóleo/eléctrico de 1 o 2 etapas
- Sistemas de refrigeración de 1 ó 2 etapas
- Serpentin de agua caliente con calefacción hidrónica radiante
- 750 MV (se necesitan 24 V CA en RC y C en los modelos S200). 750 MV a R y W; consulte la **sección [Designación de las terminales de cableado.](#)**
- Terminales S para sensor exterior cableado C7089U1006 (utilizado para bloqueo de calefacción auxiliar o punto de equilibrio en sistemas de bomba de calor. Alternativamente, con el modelo inteligente S200 se puede utilizar la aplicación).

NOTA: Los modelos inteligentes TH2110WF4008 y TH2320WF pueden utilizar una red WiFi de 2,4 GHZ o 5 GHZ.

Introducción

En este documento se tratan los siguientes temas (haga clic para consultar estas secciones):

- [Instalación de la cubierta de pared UWP](#)
- [Opciones de alimentación](#)
- [Diagramas de cableado](#)
- [Montaje del termostato](#)
- [Configuración](#)
- [Recuperación inteligente adaptativa \(función de "aprendizaje"\)](#)
- [Protección del compresor](#)
- [Instalación/reemplazo de la pieza decorativa](#)
- [Solución de problemas](#)
- [Especificaciones](#)
- [Asistencia al cliente](#)



TH2110U4004 P200 Programable
TH2320U4006 P200 Programable
TH2110WF4008 S200 Inteligente
TH2320WF4010 S200 Inteligente
TH2320WF4011 S200 Inteligente

Contenido (haga clic para saltar a esa página)

Instalación de la cubierta de pared UWP	3
Instalación de Cubierta opcional.....	3
Opciones de alimentación	3
Ajuste de las pestañas deslizantes	4
Designación de las terminales de cableado	4
Diagramas de cableado.....	5
Solo calefacción: horno a gas o gasóleo	5
Sólo refrigeración	5
Calentador de agua, sólo calefacción.....	5
1H/1C: Horno de gas.....	5
sistema de 2 transformadores, 1H/1C: Horno de gasóleo con aire acondicionado.....	6
Sistema de 2 transformadores, calefacción por agua caliente con aire acondicionado (o serpentín de agua caliente).....	6
2H/1C: Horno de gas.....	6
2H/2C: Horno a Gas.....	6
Hot Water Heat with Power Open Zone Valve	7
Válvula de zona serie 20 con sistema de apertura y cierre automáticos para agua caliente.....	7
1H/1C: Bomba de calor sin calefacción auxiliar	8
2H/1C: Bomba de calor con calefacción auxiliar eléctrica	8
3H/2C: Bomba de calor con calefacción auxiliar eléctrica	9
Combustible dual, 2H/1C: Bomba de calor	9
Combustible dual 3H/2C: Bomba de calor	10
Montaje del termostato	11
Configuración y ajustes	11
Opciones del instalador.....	11
Configuración del termostato	12
Prueba del instalador.....	17
Opciones del menú de usuario	18
Configuración de hora y fecha	18
Ajustes de funcionamiento del sistema	19
Ajustes de funcionamiento del ventilador.....	19
Cambio automático	20
Alertas.....	21
Recordatorios.....	22
Programar horario	22
Ajuste de los horarios de programación.....	23
Anulación de la programación de horario (Temporal).....	24
Anulación de la programación de horario (Permanente).....	24
Bloqueo del teclado	24
Desbloqueo del teclado.....	24
Recuperación Inteligente Adaptativa	25
Protección integrada del compresor	25
Instalación/reemplazo de la pieza decorativa	26
Reemplazo de las baterías (solo modelos P200).....	26
Solución de problemas	27
Especificaciones	28
Valores eléctricos	28
Asistencia al cliente	29
5 años de garantía limitada.....	29

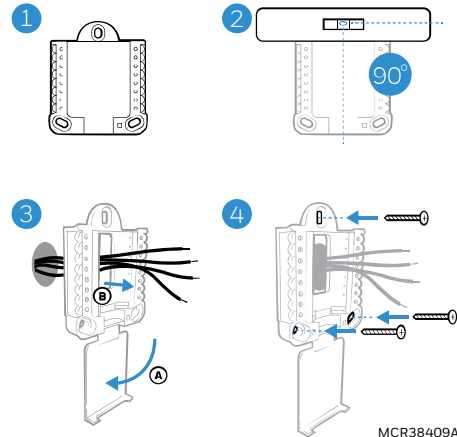
A lo largo del documento, verá referencias a diferentes partes del contenido. Por ejemplo:

Consulte [Ajuste de las pestañas deslizantes](#). Haga clic en el enlace del texto para ir directamente a esa ubicación.

Instalación de la cubierta de pared UWP

Si se utiliza la Cubierta, el UWP se coloca cómo se muestra a continuación.

- 1 Antes de comenzar, desconecte la alimentación en la caja de interruptores, o interruptor. Abra el paquete para encontrar el UWP. Consulte la figura 1.
- 2 Coloque el UWP en la pared. Nivele y marque las posiciones de los orificios. Consulte la figura 2.
- 3 Utilizando una broca de 3/16", taladre los agujeros en las posiciones marcadas y luego golpee ligeramente los taquetes (incluidos) en la pared utilizando un martillo.
- 4 Tire de la compuerta para abrirla e inserte los cables a través del orificio de cableado del UWP. Consulte la figura 3.
- 5 Coloque el UWP sobre los taquetes. Inserte y apriete los tornillos de montaje incluidos. No apriete demasiado. Apriete hasta que el UWP ya no se mueva. Cierre la puerta. Consulte la figura 4.



MCR38409A

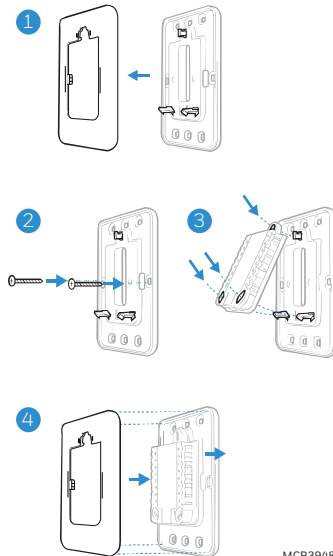
Utilice 3 tornillos #6 de 1-1/2" (incluidos)

Instalación de Cubierta opcional

Si no necesita la Cubierta opcional, consulte la sección [Instalación de la cubierta de pared UWP](#).

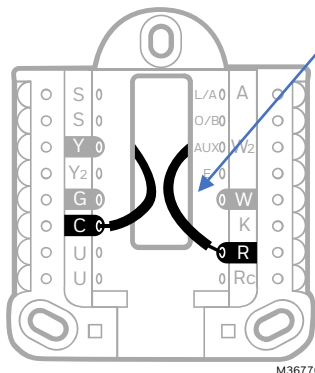
Utilice la Cubierta Opcional cuando necesite cubrir un hueco de pintura del termostato antiguo.

- 1 Separe la Cubierta de la placa de montaje (Figura 1).
- 2 Coloque la placa de montaje en la pared o en la caja en J, utilizando cualquiera de los 8 orificios para tornillos. Inserte y apriete los tornillos incluidos en el kit. No apriete demasiado. Consulte la figura 2. Asegúrese de que la placa de montaje está nivelada.
- 3 Fije el UWP colgándolo en el gancho superior de la placa de montaje y luego encajando la parte inferior en su lugar. Consulte la figura 3.
- 4 Encaje la Cubierta en la placa de montaje. Consulte la figura 4.



MCR39488

Opciones de alimentación

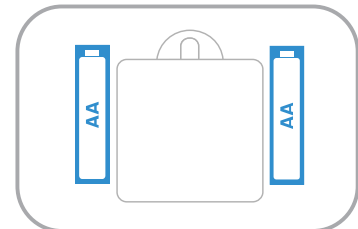


M36776

Inserte los cables **R** y **C** en las terminales designadas para la alimentación de c. a. Retire los cables presionando las pestañas de las terminales. (La terminal C es necesaria para los termostatos Inteligentes S200).

Termostatos que utilizan cables Y y G:

Si no hay cable C del termostato anterior o no hay cable adicional en el paquete que va al termostato, puede utilizar el adaptador de cable C **THP9045A** (se vende por separado).



MCR39488

Inserte baterías AA para alimentación principal o de respaldo (sólo modelos P200)

Para obtener más información sobre el adaptador de cable C THP9045A, vaya a: <https://customer.resideo.com/resources/Techlit/TechLitDocuments/33-00000s/33-00618.pdf>

Ajuste de las pestañas deslizantes

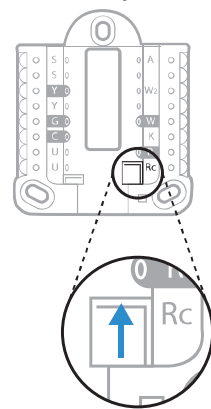
Ajuste de la pestaña deslizante R

Utilice el puente incorporado (pestaña deslizante R) para diferenciar entre uno o dos sistemas de transformadores.

- Si sólo hay un cable R y está conectado a la terminal R, Rc o RH, coloque la pestaña deslizante en la posición hacia arriba (1 cable).
- Si hay un cable conectado al terminal R y un cable conectado al terminal Rc, coloque la pestaña deslizante en la posición hacia abajo (2 cables).

Las pestañas deslizantes para terminales U deben dejarse en su lugar para los modelos de las series FocusPRO® P200 y S200.

Cubierta de pared UWP



MCR36115

Pestaña deslizante R/Rc

Designación de las terminales de cableado

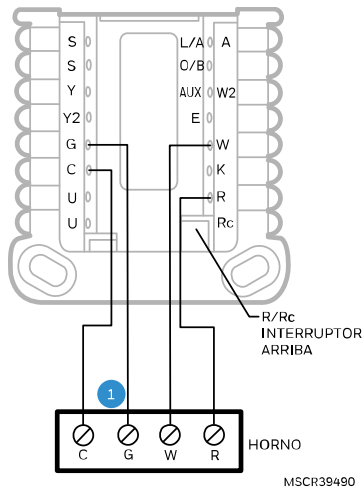
S	Sensor exterior cableado C7089U1006	L/A - A	Entrada de falla de la bomba de calor	<p>MCR39537</p> <p>Las terminales más utilizadas están sombreadas en la ilustración anterior.</p>
S	(Solo TH2320U4006 y modelos TH2320WF)	O/B	Válvula de cambio	
Y	Contactador del compresor (etapa 1)	AUXILIAR AR -W2	Calefacción auxiliar Calefacción (etapa 2) (Solo TH2320U4006 y modelos TH2320WF)	
Y2	Contactador del compresor (etapa 2) (Solo TH2320U4006 y modelos TH2320WF)	E	Calefacción de emergencia (Solo TH2320U4006 y modelos TH2320WF)	
G	Ventilador	W	Calor (etapa 1)	
C	Común (24V c. a.). Para sistemas de 2 transformadores, utilice el cable común del transformador de refrigeración.	K	Hacia el adaptador de cable C THP9045A si es necesario (S200 o P200)	
U	No se utiliza en éstos modelos	R	Alimentación de 24V c. a. del transformador de calefacción*	
U		Rc	Alimentación de 24V c. a. del transformador de refrigeración*	

* La terminal se puede puentear usando la pestaña deslizante. Consulte [Ajuste de las pestañas deslizantes](#).

Diagramas de cableado

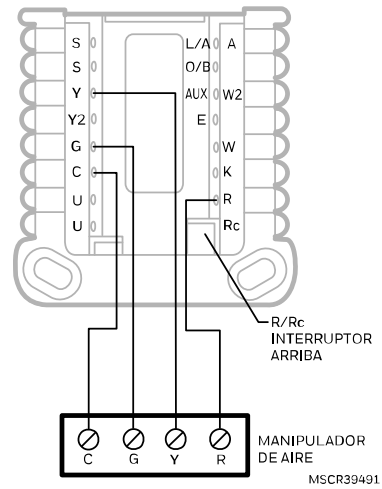
Solo calefacción: horno a gas o gasóleo

Modelos compatibles: Todos los P200 y S200



Sólo refrigeración

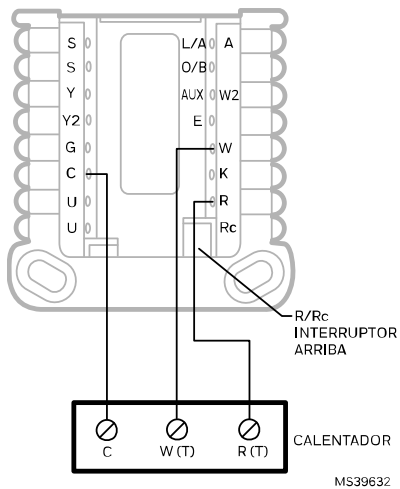
Modelos compatibles: Todos los P200 y S200



1: **G** SE UTILIZA ÚNICAMENTE PARA EL CONTROL INDEPENDIENTE DEL VENTILADOR. (LA MAYORÍA DE LOS SISTEMAS DE AIRE FORZADO [A GAS O GASÓLEO] QUE SOLO **FUNCIONAN CON CALEFACCIÓN**, NO UTILIZAN UN CABLE DE VENTILADOR [G])

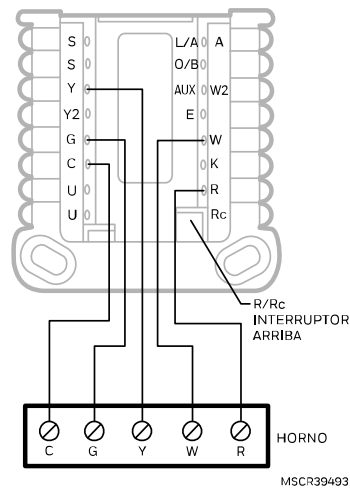
Calentador de agua, sólo calefacción.

Modelos compatibles: Todos los P200 y S200



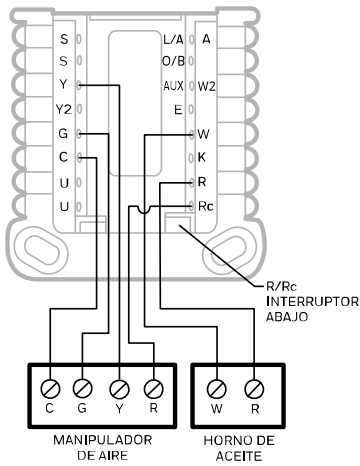
1H/1C: Horno de gas

Modelos compatibles: Todos los P200 y S200



sistema de 2 transformadores, 1H/1C: Horno de gasóleo con aire acondicionado

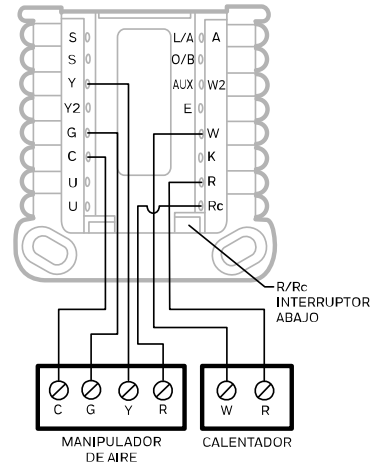
Modelos compatibles: Todos los P200 y S200



MSCR39494

Sistema de 2 transformadores, calefacción por agua caliente con aire acondicionado (o serpentín de agua caliente)

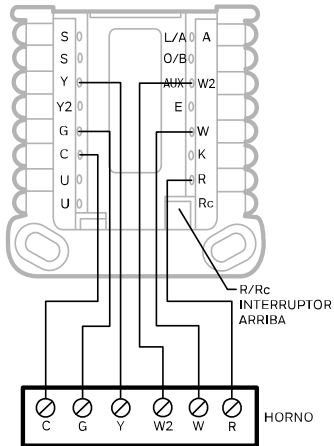
Modelos compatibles: Todos los P200 y S200



MSCR39495

2H/1C: Horno de gas

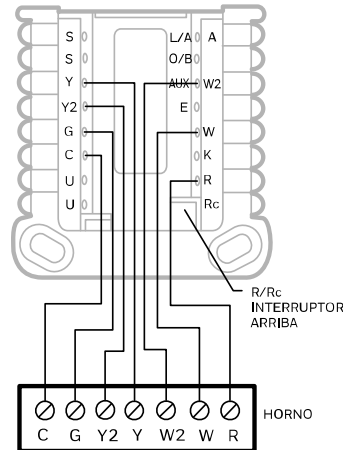
Modelo compatible: Sólo TH2320



MSCR39496

2H/2C: Horno a Gas

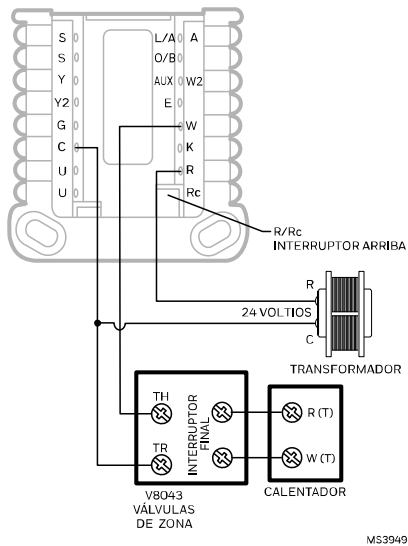
Modelo compatible: Sólo TH2320



MSCR39497

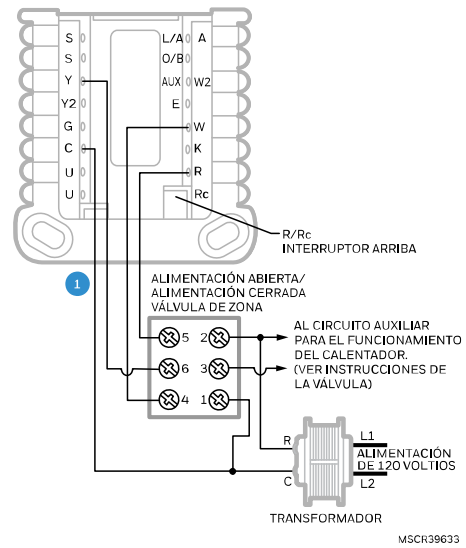
Hot Water Heat with Power Open Zone Valve

Modelos compatibles: Todos los P200 y S200



Válvula de zona serie 20 con sistema de apertura y cierre automáticos para agua caliente

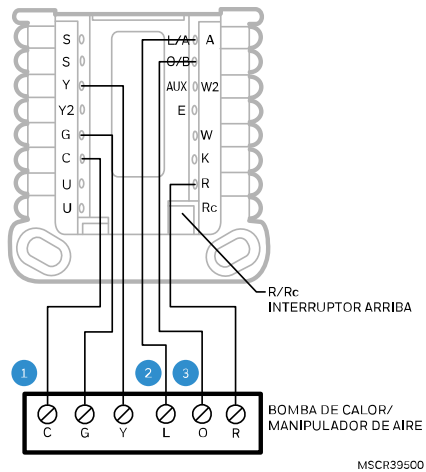
Modelos compatibles: Todos los P200 y S200



1: EL TERMOSTATO DEBE ESTAR CONFIGURADO PARA CALEFACCIÓN RADIANTE CON 0 (CERO) ETAPAS DE REFRIGERACIÓN

1H/1C: Bomba de calor sin calefacción auxiliar

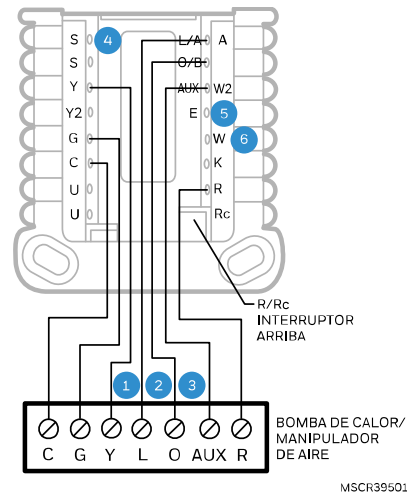
Modelos compatibles: Todos los P200 y S200



- 1: L SOLO SE CONECTA SI LA BOMBA DE CALOR TIENE UNA TERMINAL DE FALLA
- 2: ALGUNAS BOMBAS DE CALOR UTILIZAN **B** EN LUGAR DE **O** PARA LA VÁLVULA DE INVERSIÓN
- 3: **IMPORTANTE: ¡NO CONECTE NINGÚN CABLE A W PARA APLICACIONES DE BOMBA DE CALOR! ESTO PUEDE PROVOCAR QUE LA CALEFACCIÓN FUNCIONE CONTINUAMENTE**

2H/1C: Bomba de calor con calefacción auxiliar eléctrica

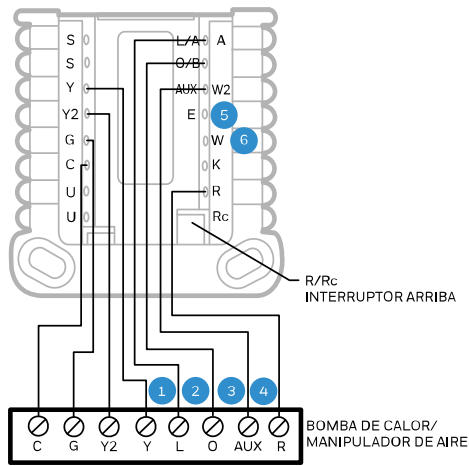
Modelo compatible: Sólo modelos TH2320



- 1: L SOLO SE CONECTA SI LA BOMBA DE CALOR TIENE UNA TERMINAL DE FALLA
- 2: ALGUNAS BOMBAS DE CALOR UTILIZAN **B** EN LUGAR DE **O** PARA LA VÁLVULA DE INVERSIÓN
- 3: LOS DIFERENTES MODELOS DE BOMBA DE CALOR PUEDEN ETIQUETAR LA TERMINAL DE CALEFACCIÓN AUXILIAR DE FORMA DIFERENTE A LA MOSTRADA. CONSULTE LA GUÍA DE CABLEADO DE LA BOMBA DE CALOR
- 4: EL SENSOR EXTERIOR CON CABLE C7089U1006 PUEDE UTILIZARSE PARA EL PUNTO DE EQUILIBRIO Y EL BLOQUEO DE CALEFACCIÓN AUXILIAR SI SE DESEA
- 6: LA MAYORÍA DE LAS BOMBAS DE CALOR COMPARTEN EL MISMO CONJUNTO DE TIRAS PARA **AUX** y **EM HEAT (CALEFACCIÓN DE EMERGENCIA)**. EN ESTOS CASOS, **E** NO SE UTILIZA. LOS MODELOS TH2320 SE PUEDEN CONFIGURAR PARA **AUX** Y **E** SEPARADAS. EN ESTE CASO, CONECTE UN JUEGO DE TIRAS A **E** PARA QUE SE ENERGICE EN **EM HEAT (CALEFACCIÓN DE EMERGENCIA)** Y OTRO JUEGO DE TIRAS A **AUX** PARA QUE SE ENERGICEN EN **AUX HEAT (CALEFACCIÓN AUXILIAR)**.
- 6: **IMPORTANTE: ¡NO CONECTE NINGÚN CABLE A W PARA APLICACIONES DE BOMBAS DE CALOR! ESTO PUEDE HACER QUE LA BOMBA DE CALOR FUNCIONE CONTINUAMENTE.**

3H/2C: Bomba de calor con calefacción auxiliar eléctrica

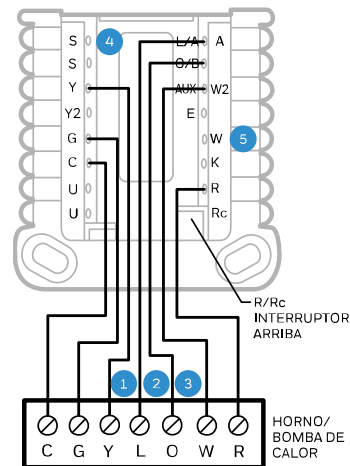
Modelo compatible: Sólo TH2320



MSCR39502

Combustible dual, 2H/1C: Bomba de calor

Modelo compatible: Sólo TH2320



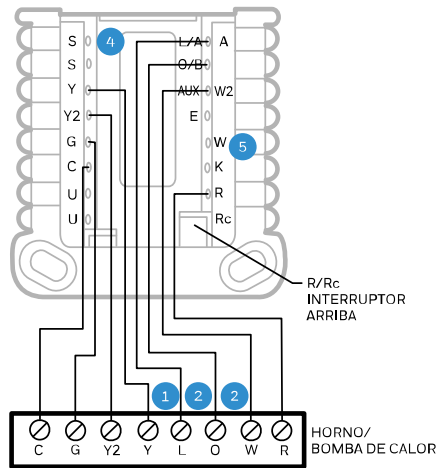
MSCR39503

- 1: **L** SÓLO SE CONECTA SI LA BOMBA DE CALOR TIENE UNA TERMINAL DE FALLA.
- 2: ALGUNAS BOMBAS DE CALOR UTILIZAN **B** EN LUGAR DE **O** PARA LA VÁLVULA DE INVERSIÓN.
- 3: LOS DIFERENTES MODELOS DE BOMBA DE CALOR ETIQUETAN LA TERMINAL DE CALOR AUXILIAR DE FORMA DIFERENTE A LA MOSTRADA. CONSULTE LA GUÍA DE CABLEADO DE LA BOMBA DE CALOR.
- 4: EL SENSOR EXTERIOR CON CABLE C7089U1006 SE PUEDE UTILIZAR PARA EL PUNTO DE EQUILIBRIO Y EL BLOQUEO DE CALEFACCIÓN AUXILIAR SI SE DESEA.
- 5: LA MAYORÍA DE LAS BOMBAS DE CALOR COMPARTEN EL MISMO CONJUNTO DE TIRAS PARA **AUX** y **EM HEAT (CALEFACCIÓN DE EMERGENCIA)**. EN ESTOS CASOS, **E** NO SE UTILIZA. LOS MODELOS TH2320 SE PUEDEN CONFIGURAR PARA **AUX** Y **E** SEPARADAS. EN ESTA SITUACIÓN, CONECTE UN CONJUNTO DE TIRAS A **E** PARA QUE SE ENERGICEN EN **EM HEAT (CALEFACCIÓN DE EMERGENCIA)** Y UN CONJUNTO DIFERENTE DE TIRAS A **AUX** PARA QUE SE ENERGICEN EN **AUX HEAT (CALEFACCIÓN AUXILIAR)**.
- 6: **¡IMPORTANTE: ¡NO CONECTE NINGÚN CABLE A W PARA APLICACIONES DE BOMBAS DE CALOR! ESTO PUEDE HACER QUE LA BOMBA DE CALOR FUNCIONE CONTINUAMENTE.**

- 1: **L** SÓLO SE CONECTA SI LA BOMBA DE CALOR TIENE UNA TERMINAL DE FALLA.
- 2: ALGUNAS BOMBAS DE CALOR UTILIZAN **B** EN LUGAR DE **O** PARA LA VÁLVULA DE INVERSIÓN.
- 3: LA BOMBA DE CALOR Y EL HORNO TIENEN TABLEROS SEPARADOS. SE MUESTRAN JUNTOS AQUÍ PARA SIMPLIFICAR ESTE DIAGRAMA. **W** ES DEL TABLERO DEL HORNO.
- 4: EL SENSOR EXTERIOR CON CABLE C7089U1006 SE PUEDE UTILIZAR PARA EL PUNTO DE EQUILIBRIO SI SE DESEA.
- 5: **¡IMPORTANTE: ¡NO CONECTE NINGÚN CABLE A W PARA APLICACIONES DE BOMBAS DE CALOR! ESTO PUEDE HACER QUE LA BOMBA DE CALOR FUNCIONE CONTINUAMENTE.**

Combustible dual 3H/2C: Bomba de calor

Modelo compatible: Sólo TH2320

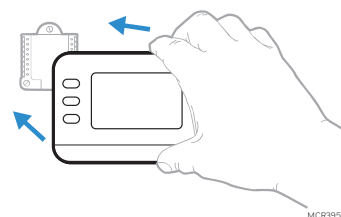


MSCR39504

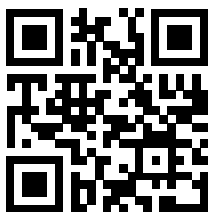
- 1: **L** SÓLO SE CONECTA SI LA BOMBA DE CALOR TIENE UNA TERMINAL DE FALLA.
- 2: ALGUNAS BOMBAS DE CALOR UTILIZAN **B** EN LUGAR DE **O** PARA LA VÁLVULA DE INVERSIÓN.
- 3: LA BOMBA DE CALOR Y EL HORNO TIENEN TABLEROS SEPARADOS. SE MUESTRAN JUNTOS AQUÍ PARA SIMPLIFICAR ESTE DIAGRAMA. **W** ES DEL TABLERO DEL HORNO.
- 4: EL SENSOR EXTERIOR CON CABLE C7089U1006 SE PUEDE UTILIZAR PARA EL PUNTO DE EQUILIBRIO SI SE DESEA.
- 5: **IMPORTANTE: ¡NO CONECTE NINGÚN CABLE A W PARA APLICACIONES DE BOMBAS DE CALOR! ESTO PUEDE HACER QUE LA BOMBA DE CALOR FUNCIONE CONTINUAMENTE.**

Montaje del termostato

1. Empuje el cable sobrante hacia la abertura de la pared.
2. Cierre la compuerta del UWP. Debe permanecer cerrada sin abultarse.
3. Alinee el UWP con el termostato y empuje suavemente hasta que éste encaje en su lugar.
4. Encienda la alimentación en la caja de interruptores, o interruptor.



Serie S200: Escanee para descargar la aplicación Resideo Pro



Los termostatos inteligentes S200 se pueden configurar mediante la aplicación Resideo Pro.

Configuración y ajustes

Opciones del instalador

Para modelos S200 Smart: Una vez completada la configuración inicial, el termostato le preguntará si desea realizar la configuración en el dispositivo o mediante la aplicación.

Si selecciona **Using App (Usar aplicación)**, abra la aplicación Resideo Pro y siga las instrucciones.

Si elige **On Device (En el dispositivo)**, siga los pasos que se describen a continuación, en la sección [Configuración del Termostato](#).

Si ingresa al menú de instalación después de la configuración inicial, siga los pasos a continuación:

1. **Mantenga presionado** el botón inferior izquierdo y el botón de flecha hacia arriba durante 5 segundos para acceder al **MENÚ DEL INSTALADOR**
2. Presione **↑** o **↓** para navegar por las opciones **del MENÚ DEL INSTALADOR**. Cuando se muestre la opción de menú que desea ajustar, presione **SELECT (seleccionar)**.

Opciones del menú de instalación

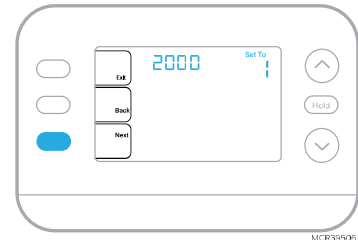
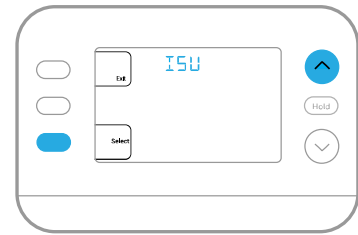
- **ISU**- Opciones de configuración del instalador
- **TEST**- Opciones de prueba del instalador
- **INFO**- Muestra un código utilizado por el equipo de soporte técnico de Resideo cuando es necesario
- **RSET**- Opciones de reinicio. **Restablecer programación, WiFi (S200) o realizar un restablecimiento de fábrica**
- **REV**- STAT: Muestra la versión del Firmware del termostato. WiFi: muestra la versión de WiFi.

Para volver a la pantalla de inicio, presione el botón **EXIT (salir)** (arriba a la izquierda) o espere a que se agote el tiempo de espera del termostato.

Configuración del termostato

En la configuración inicial, el termostato irá al menú ISU. **Los modelos S200** le preguntarán si desea realizar la configuración en el dispositivo o mediante la aplicación. Si ingresa al menú ISU en el dispositivo después de la configuración inicial, siga los pasos a continuación:

1. **Mantenga** presionado el botón inferior izquierdo y el botón de flecha hacia arriba **↑** durante 5 segundos para acceder al **MENÚ DEL INSTALADOR**.
2. Presione **↑** o **↓** para navegar por las opciones del **MENÚ DEL INSTALADOR**. Cuando aparezca **ISU** en pantalla, presione **SELECT (Seleccionar)**.
3. La pantalla muestra el **número ISU** a la izquierda y la **configuración ISU** a la derecha.
Cuando un **número ISU** se muestra, presione **↑** o **↓** para cambiar la configuración de esa ISU.
4. Después de elegir la configuración correcta para una ISU, presione **NEXT (siguiente)** para avanzar al siguiente ajuste de ISU.
5. Para finalizar la configuración, presione el botón **SAVE & EXIT (guardar y salir)**; esto guardará su configuración y regresará a la pantalla de inicio.



Opciones de configuración del instalador (ISU)

Dependiendo de la configuración del sistema, es posible que no todas las opciones estén disponibles		
#ISU	Nombre de la ISU	Opciones de la ISU (los valores predeterminados están resaltados)
1040	Opciones de programación (el usuario puede activar o desactivar la programación en Menu > Schedule [Programación])	1 = 1 semana (todos los días iguales) 2 = 5-2 Programable (días laborables y fines de semana por separado) 3 = 5-1-1 Programable (sábado y domingo por separado) 4 = 7 días programable (cada día por separado)
1050	Escala de indicación de temperatura	F = Fahrenheit C = Celsius
1060	Sensor exterior (Solo modelos TH2320)	0 = Ninguno 1 = Sensor exterior cableado 2 = Clima por Internet (TH2320WF)
2000	Tipo de sistema de calefacción	1 = Calefacción de aire forzado convencional 2 = Bomba de calor 3 = Calor radiante 5 = Ninguno (Sólo refrigeración)
2010	Tipo de equipo de calefacción	<i>Calefacción convencional de aire forzado:</i> 1 = Aire forzado a gas de eficiencia estándar 2 = Aire forzado a gas de alta eficiencia 3 = Aire forzado de gasóleo 4 = Aire forzado eléctrico 5 = Ventilador de agua caliente <i>Bomba de calor:</i> 7 = Bomba de calor aire-aire 8 = Bomba de calor geotérmica <i>Calor Radiante:</i> 9 = Calor radiante por agua caliente 12 = Vapor
2060	Válvula de inversión O/B	0= O (O/B en Refrigeración. El cable O está conectado a la terminal O/B y controla la refrigeración) 1=B (O/B en Calefacción. El cable B se conecta a la terminal O/B y controla la calefacción) <i>El material de lectura que viene con su equipo de bomba de calor debe indicar si la válvula inversora está energizada en modo de calefacción o de refrigeración.</i>
2070	Etapas del Compresor	0, 1 , 2 Solo 1 etapa de compresor disponible en los modelos TH2110
2071	Etapas de calefacción / Etapas de calefacción de reserva	Etapas de calefacción: 1 , 2 Etapas de calefacción de respaldo: 0, 1 (sólo modelos TH2320)
2110	Control del ventilador en calefacción (Sólo se muestra si 2010 = 4 ó 5)	1 = El equipo controla el ventilador 2 = Termostato controla el ventilador
2175	Control de terminales Aux/E (Solo modelos TH2320)	0 = Activa ambos Aux y E juntos 1 = Aux y E independientes
2180	Fuente de calefacción de reserva (sólo bomba de calor) (Solo modelos TH2320)	31 = Aire forzado eléctrico 32 = Aire forzado a gas de eficiencia estándar 33 = Aire forzado a gas de alta eficiencia

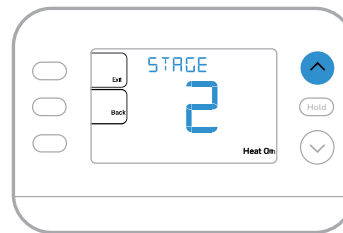
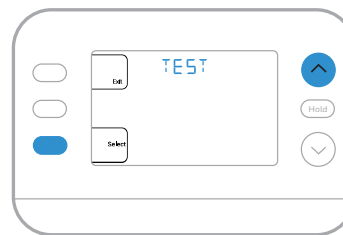
2185	Fuente de calefacción de emergencia (Solo modelos TH2320)	34 = Aire forzado de gasóleo, ventiloconvector de agua caliente 35 = Calor radiante por agua caliente 36 = Otra
3000	Cambio de sistema	0 = Oculto (sólo manual) 1 = Activado (Automático disponible. En modo automático, el termostato cambia automáticamente entre calefacción y refrigeración para mantener la temperatura interior deseada. Esta opción no es recomendable si la temperatura exterior se mantiene a menudo por debajo de 50 °F (10°C) durante los meses de invierno.)
3015	Cambio automático Diferencial	0 °F a 5 °F 0.0 °C a 2.5 °C El ajuste diferencial es el número mínimo de grados desde el punto de ajuste necesarios para cambiar del último modo en funcionamiento (calefacción o refrigeración) al modo opuesto cuando el termostato está en cambio automático.
3020	Finalizar con etapa de calefacción alta	0 = No 1 = Sí (Solo modelos TH2320)
3021	Finalizar con etapa de refrigeración alta	0 = No 1 = Sí (Solo modelos TH2320)
3090	Descenso de la calefacción de reserva	[0] = Confort 2 °F a 15 °F (en incrementos de 1 °F). 1.0 °C a 7.5 °C (en incrementos de 0.5 °C). La configuración 0 (confort) solo está disponible si la calefacción de reserva (ISU 2180) está configurada en eléctrica. (Solo TH2320)
3110	Temporizador secundario para la calefacción de reserva (Si 3090 = 0 y 2180 = 31, 3110 sólo tiene ajustes 0-3)	0 = Off 1 = 30 minutos 2 = 45 minutos 3 = 60 minutos 4 = 75 minutos 5 = 90 minutos 6 = 2 horas 7 = 3 horas 8 = 4 horas 9 = 5 horas 10 = 6 horas 11 = 8 horas 12 = 10 horas 13 = 12 horas 14 = 14 horas 15 = 16 horas
3120	Bloqueo del compresor (1060 debe ajustarse a 1 o 2) (Solo modelos TH2320)	Apagado -15°F a 60°F (en incrementos de 5°F) -26,0°C a 15,5°C (en incrementos de 2,5°C o 3,0°C)
3121	Bloqueo de calefacción de reserva para exteriores (Solo modelos TH2320)	Apagado 5 °F a 65 °F (en incrementos de 5 °F) -15,0 °C a 18,5 °C (en incrementos de 2,5 °C o 3,0 °C)
3125	Bloqueo del ventilador tras una llamada de refrigeración	[0] = Off 1 = 5 min 9 = 45 min 17 = 85 min 2 = 10 min 10 = 50 min 18 = 90 min 3 = 15 min 11 = 55 min 19 = 95 min 4 = 20 min 12 = 60 min 20 = 100 min 5 = 25 min 13 = 65 min 21 = 105 min 6 = 30 min 14 = 70 min 22 = 110 min 7 = 35 min 15 = 75 min 23 = 115 min 8 = 40 min 16 = 80 min 24 = 120 min
3140	Frecuencia del ciclo del compresor (etapa 1)	1 – 6

3141	Frecuencia del ciclo del compresor (etapa 2)	1 – 6 (solo modelos TH2320)
3150	Frecuencia del ciclo de calefacción (etapa 1)	1 – 12
3151	Frecuencia del ciclo de calefacción (etapa 2)	1 – 12 (solo modelos TH2320)
3160	Frecuencia del ciclo de la calefacción de auxiliar	1 – 12 (solo modelos TH2320)
3165	Frecuencia del ciclo de la calefacción de emergencia	1 – 12 (solo modelos TH2320)
3240	Protección del compresor	0 = Apagado 1 - 5 minutos
4090	Recuperación Inteligente Adaptativa	0 = No 1 = Sí <i>Adaptive Intelligent Recovery (AIR) es una configuración de confort. El equipo de calefacción o refrigeración se encenderá antes, asegurando que la temperatura interior coincida con el punto de ajuste a la hora programada.</i>
4100	Punto de ajuste máximo de refrigeración	50 °F to 99 °F (99 °F) 10.0 °C to 37.0 °C (37.0 °C)
4101	Punto de ajuste mínimo de refrigeración	50 °F a 99 °F (50 °F) 10.0 °C a 37.0 °C (10.0 °C)
4102	Punto de ajuste máximo de calefacción	32 °F a 90 °F (90 °F) 0.0 °C a 32.0 °C (32.0 °C)
4103	Punto de ajuste mínimo de calefacción	32 °F a 90 °F (40 °F) 0 °C a 32.0 °C (4.5 °C)
4110	Bloqueo del teclado	0 = Desactivado 1 = Activado

7020	Número de filtros de aire	0 - 2	
7110	Filtro de aire 1 Recordatorio de reemplazo	0 = Apagado 1 = 10 días de funcionamiento 2 = 20 días de funcionamiento 3 = 30 días de funcionamiento 4 = 45 días de funcionamiento 5 = 60 días de funcionamiento 6 = 90 días de ejecución 7 = 120 días de ejecución . 8 = 150 días corridos 9 = 30 días naturales	10 =45 días naturales 11 =60 días naturales 12 =75 días naturales 13 =3 meses naturales 14 =4 meses naturales 15 =5 meses naturales 16 =6 meses naturales 17 =9 meses naturales 18 =12 meses naturales 19 =15 meses naturales
7111	Filtro de aire 2 Recordatorio de sustitución		
14003	Retroiluminación	0 = Bajo demanda 1 = Continua <i>Se necesita un cable común para mantener el brillo de la retroiluminación</i>	
14004	de forma continua.	1 - 5 <i>Sólo se muestra si se selecciona Retroiluminación Continua.</i>	
14005	Selección de la pantalla de inactividad	0 - Información mínima mostrada 1 - Punto de ajuste mostrado en la pantalla inactiva 2 - Información máxima mostrada en pantalla	
14006	Centro de mensajes de la pantalla inactiva (Sólo modelos WiFi) <i>Nota: Cuando la ISU 1060 = 1, la temperatura exterior se puede visualizar en el dispositivo, en MENU, después TEMP</i>	1 - Tiempo 2 - Temperatura exterior (ISU 1060 = Internet, cableado) 3 - Humedad exterior (ISU 1060 = Internet) 4 - Humedad interior	
#ISU	Nombre de la ISU	Opciones de la ISU (los valores predeterminados están resaltados)	
14007	Centro de mensajes de la pantalla de inicio (Sólo modelos WiFi) <i>Nota: Cuando la ISU 1060 = 1, la temperatura exterior se puede visualizar en el dispositivo, en MENU, después TEMP</i>	1 - Tiempo 2 - Temperatura exterior (ISU 1060 = Internet, cableado) 3 - Humedad exterior (ISU 1060 = Internet) 4 - Humedad interior	
14010	Formato del reloj	12/24	
14015	Horario de verano	0 = Apagado 1 = Activado	
14020	Desplazamiento de la indicación de temperatura	-3 to 3 °F (0) -1.5 to 1.5 °C (0)	

Prueba del instalador

1. Mantenga **presionado** el botón inferior izquierdo y el botón de flecha hacia arriba durante 5 segundos para acceder al **MENÚ DEL INSTALADOR**
2. Presione **↑** o **↓** para navegar por el **MENÚ DEL INSTALADOR** hasta que visualice **TEST (prueba)** y presione **SELECT (seleccionar)**
3. La pantalla mostrará el modo de prueba actual. Para probar el modo que se muestra en pantalla, presione **↑**. Si está probando calefacción o refrigeración en un equipo multietapa, al presionar por segunda vez el botón **↑** se indicará una llamada para la Etapa 2.
4. Presione **NEXT (siguiente)** para avanzar al siguiente modo en el menú de prueba. Los ajustes posibles en el menú de prueba son **Heat (calefacción)**, **Cool (refrigeración)**, **Em Heat (calefacción de emergencia)**, **Fan (ventilador)**
5. Presione **EXIT (salir)** una vez finalizada la prueba.



Prueba del sistema	Estado del sistema	
Las áreas sombreadas a continuación aplican <u>únicamente</u> a los modelos TH2320		
Calefacción	0	Todo Apagado
	1	Etapa de calefacción 1 activada
	2	Etapa de calefacción 2 también activada
	3	Etapa de calefacción 3 también activada
Refrigeración	0	Todo Apagado
	1	Etapa de refrigeración 1 activada
	2	Etapa de frío 2 también activada
Calefacción de emergencia	0	Todo Apagado
	1	Calefacción de Emergencia activada
Ventilador	0	Ventilador apagado
	1	Ventilador encendido

Opciones del menú de usuario

Una vez completada la configuración inicial, puede ingresar al menú de Usuario.

1. Presione el botón **Menu**
2. Presione **↑** o **↓** para navegar por las opciones del **menú de usuario**. Cuando se muestre la opción de menú que desee utilizar, presione **SELECT (seleccionar)**

Opciones del menú de usuario

Nota: Cuando una alerta o recordatorio está activo, es el primer elemento que se muestra en el menú.

- **SCHEDULE (programar)**: Activar o desactivar la programación o establecer/editar la configuración de la programación
 - **APP**: Utilice la aplicación (S200)
 - **WIFI**: Encendido o apagado (S200)
 - **TEMP (temperatura)**: Muestra la temperatura exterior o interior *
 - **DATE (fecha)**: Establecer fecha.
 - **TIME (hora)**: Establecer hora
 - **LOCK****: Cambia el estado de bloqueo [**OFF (desactivado)**, **FULL (completo)** o **PART (parcial)**]. El bloqueo parcial solo permite el cambio temporal del punto de ajuste.
3. Para salir y regresar a la pantalla de inicio, presione el botón **EXIT (salir)** (arriba a la izquierda) o espere a que se agote el tiempo de espera del termostato.

*La opción para exteriores solo se muestra si la ISU 1060 está configurada para usar un sensor exterior con cable o Internet

** La opción de bloqueo sólo se muestra si la ISU 4110 está configurada en Bloqueo activado

Configuración de hora y fecha

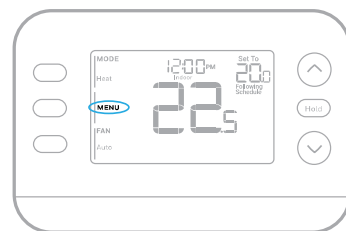
La hora y la fecha se configuran automáticamente cuando el cliente registra el termostato en una cuenta de First Alert.

Hora

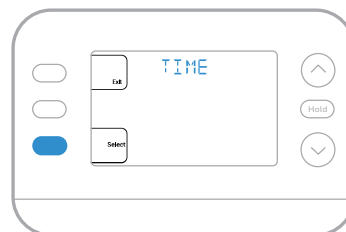
1. Presione **MENU** en el termostato
2. Presione **↑** o **↓** para ir a **TIME (hora)** y presione **SELECT (seleccionar)**
3. Presione **↑** o **↓** para elegir el formato de reloj de 12 o 24 horas y presione **NEXT (siguiente)**
4. Presione **↑** o **↓** para ajustar la **hora** y presione **NEXT (siguiente)**.
5. Presione **↑** o **↓** para ajustar los **minutos**, y por último presione **SAVE & EXIT (guardar y salir)**

Fecha

1. Presione **MENU** en el termostato
2. Presione **↑** o **↓** para ir a **DATE (Fecha)** y después presione **SELECT (seleccionar)**
3. Presione **↑** o **↓** para elegir **YEAR (año)** y después presione **NEXT (siguiente)**
4. Presione **↑** o **↓** para elegir **MONTH (mes)** y después presione **NEXT (siguiente)**
5. Presione **↑** o **↓** para elegir **DATE (fecha)**, y por último presione **SAVE & EXIT (guardar y salir)**



MSCR39509



MCR39510

Ajustes de funcionamiento del sistema

1. Presione el botón **MODE (MODO)** para pasar al siguiente modo disponible del Sistema
2. Recorra los modos hasta que se muestre el modo de sistema deseado

Los modos disponibles varían según el modelo y la configuración del sistema.

Modos del sistema:

- **AUTO (automático)**
- **HEAT (calefacción)**
- **COOL (refrigeración)**
- **EM HEAT (calefacción de emergencia)**
- **OFF (apagado)**

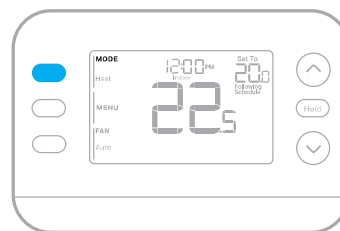
Ajustes de funcionamiento del ventilador

1. Presione el botón FAN para pasar al siguiente modo de ventilador disponible.
2. Navegue por los modos del ventilador hasta que aparezca el modo deseado

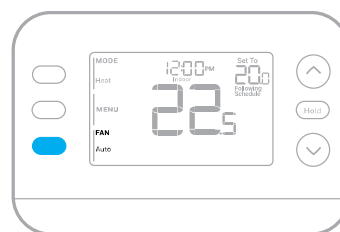
Los modos de Ventilador disponibles varían según los ajustes del sistema.

Modos de ventilador:

- **AUTO (automático)**: El ventilador funciona sólo cuando el sistema de calefacción o refrigeración está encendido
- **ON (encendido)**: El ventilador está siempre encendido
- **CIRC (circular)**: El ventilador funciona alrededor del 33% del tiempo para hacer circular el aire



MSCR39511



MSCR39512

Cambio automático

Cuando un termostato está configurado en cambio automático, el termostato tiene un punto de ajuste de calor y un punto de ajuste de frío y puede funcionar en calor o frío según sea necesario.

1. Verifique que el termostato esté configurado en modo de cambio automático. Presione el botón **MODE** en la parte superior izquierda hasta seleccionar **AUTO**. Presione el botón **SAVE (guardar)** (centro izquierda).
2. Presione el **↑** o el botón **↓**. En la parte superior derecha se muestra **HEAT TO (calefacción a)** o **COOL TO (refrigeración a)** en texto parpadeante, así como el punto de ajuste. Utilice los botones **↑** o **↓** para configurar el punto de ajuste. Si la pantalla muestra **HEAT TO (calefacción a)** parpadeando cuando desea cambiar el punto de ajuste de la refrigeración, o viceversa, presione el botón System. Mientras **HEAT TO (calefacción a)** o **COOL TO (refrigeración a)** parpadeen, la indicación de modo arriba a la izquierda también muestra **HEAT (calefacción)** o **COOL (refrigeración)** parpadeando. Al presionar el botón **MODE** en este momento, el punto de ajuste pasa de **HEAT (calefacción)** a **COOL (refrigeración)** o viceversa.


Calefacción y refrigeración ajustados a la misma temperatura

La mayoría de los usuarios se sienten cómodos en un rango de temperatura de 2 a 3 grados. Por lo tanto, la calefacción suele ajustarse unos grados por debajo del punto de ajuste de refrigeración. Cuando la temperatura interior está entre los puntos de ajuste de calefacción y refrigeración, el sistema está apagado.

Los puntos de ajuste de calefacción y refrigeración pueden ser los mismos. Para garantizar que el sistema no realice ciclos de ida y vuelta entre calefacción y refrigeración, el termostato obedece un ajuste **diferencial** (configurado por el instalador). Si el termostato funcionó por última vez en modo calefacción, éste activa y desactiva la calefacción de forma cíclica para mantener el punto de ajuste. La temperatura interior debe aumentar hasta el ajuste diferencial antes de cambiar a refrigeración.

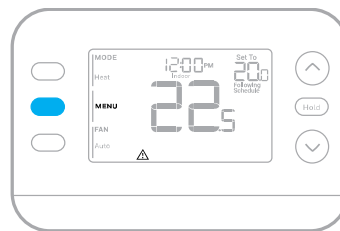
Luego, la refrigeración se reducirá hasta su punto de ajuste, y el ciclo se activará y desactivará para mantenerlo según sea necesario. A continuación, el termostato tendría que bajar al ajuste diferencial antes de volver a cambiar a calefacción. Normalmente, un termostato que utiliza cambio automático solo necesitaría cambiar dos veces al día, ya que la temperatura exterior aumenta durante el día y disminuye durante la noche.

Alertas

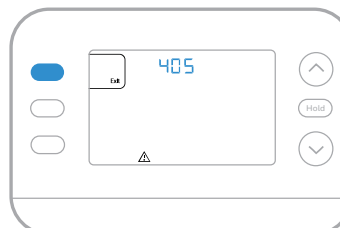
Cuando una alerta está activa, un  icono aparecerá en la parte inferior de la pantalla.

1. Presione **MENU** y utilice **↑** o **↓** hasta que se muestre la alerta. Las alertas activas serán los primeros elementos del menú que se muestren.
2. Presione **SELECT (seleccionar)** para mostrar el número de alerta.
3. Una alerta no se puede anular. Si hay más de una alerta activa, presionando el botón **NEXT (SIGUIENTE)** podrá ver los números de alerta adicionales. Presione **EXIT (SALIR)** para volver a la pantalla de inicio.

Algunas alertas pueden ser resueltas por el propietario, por ejemplo **"Replace Batteries" (Reemplazar baterías)**. Otras alertas pueden requerir una llamada de servicio al instalador profesional.



MCR39551



MCR39514

Número de alerta	Significado de alerta
405	Las baterías del termostato están bajas. Reemplace las baterías.
407	Las baterías del termostato están críticamente bajas. Reemplace las baterías.
164	Falla de la bomba de calor. La bomba de calor está energizando la terminal L para indicar una falla.
170	Falla en la memoria del termostato. Problema interno con la memoria del termostato.
171	Ajustar hora y fecha. Para borrar esta alerta, entre en el Menú y siga los pasos indicados anteriormente en este manual para ajustar la hora y la fecha.
173	Error de sensor interno. Problema con el sensor de temperatura integrado.
178	Error del sensor exterior cableado. Verifique los cables y las conexiones hacia el sensor exterior
388	Registrarse en línea
399	WiFi, conexión a internet perdida *
400	WiFi, sin señal *
602	Error interno del sensor de humedad
607	Error de red WiFi *

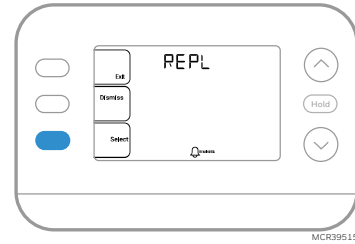
* Las alertas de WiFi no se mostrarán cuando WiFi esté configurado como Desactivado en el menú WiFi *

Recordatorios

Cuando un recordatorio está activo, un icono 🔔 aparecerá en la parte inferior de la pantalla.

1. Presione **MENU** y utilice **↑** o **↓** hasta que se muestre el recordatorio activo. Las alertas activas y los recordatorios serán los primeros elementos del menú que se muestren.
2. Presione **SELECT (seleccionar)** para mostrar el recordatorio.
3. Una vez seleccionado se mostrará el mensaje del recordatorio en un texto desplazable. Presione **DISMISS (descartar)** para restablecer el recordatorio o presione **EXIT (salir)** para regresar a la pantalla de inicio sin restablecer el recordatorio.

Si hay más de un recordatorio activo, presione el botón **NEXT (siguiente)** para ver todos los recordatorios que no se hayan restablecido.



Programar horario

Cuando el cliente registra un termostato S200 en la aplicación Resideo, puede elegir utilizar los servicios de Geofencing en lugar de una programación basada en el tiempo.

Puede programar cuatro periodos cada día, con diferentes ajustes para los días laborables y los fines de semana. Le recomendamos que utilice los preajustes que se muestran en la tabla de la derecha; estos preajustes están diseñados para reducir sus gastos de calefacción/refrigeración.

WAKE (despertar): Ajuste la hora a la que se despierta y la temperatura deseada durante la mañana hasta que salga a trabajar.

AWAY (ausente): Ajuste la hora a la que saldrá de casa, así como la temperatura deseada mientras esté fuera (normalmente un valor de temperatura de bajo consumo de energía).

HOME (en casa): Ajuste la hora a la que regresa a casa y la temperatura deseada por la noche hasta la hora de acostarse.

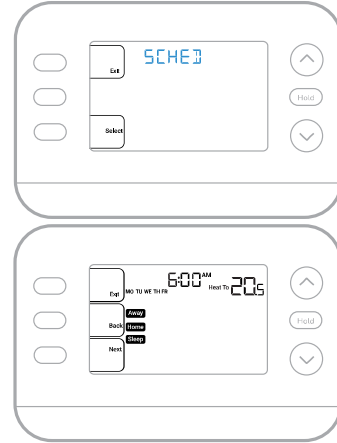
SLEEP (dormir): Ajuste la hora de acostarse, así como la temperatura que desee durante la noche (normalmente un valor de temperatura de bajo consumo de energía).

	Calefacción	Refrigeración
Wake (despertar) (6:00 am)	21.0°	25.5°
Away (ausente) (8:00 am)	16.5°	29.5°
Home (en casa) (6:00 pm)	21.0°	25.5°
Sleep (dormir) (10:00 pm)	16.5°	28.0°

Grados Celsius MS36013

Ajuste de los horarios de programación

1. Presione **MENU** y luego presione **↑** o **↓** hasta que se muestre **SCHED**.
2. Aparecerá un cuadrado alrededor de **ON** u **OFF** en la pantalla. Si desea utilizar un horario programado, presione **↑** o **↓** para seleccionar **ON**. Presione **SELECT** (**SELECCIONAR**) para editar la programación o presione **EXIT (SALIR)** para salir del menú.
3. Si está configurando la programación, presione **SELECT (seleccionar)** para editar el día o los días que parpadean en la pantalla.
4. La palabra **Wake (despertar)** debería parpadear. Presione **NEXT (siguiente)**. Presione **↑** o **↓** para activar o desactivar este período de programación. Presione **NEXT (siguiente)**.
5. Si el período de programación se estableció en **ON (activado)**, la hora parpadeará. Presione **↑** o **↓** para ajustar la hora para este período. Presione **NEXT (siguiente)**.
6. El punto de ajuste de calefacción parpadeará. Presione **↑** o **↓** para ajustar el punto de ajuste de calefacción para éste período. Presione **NEXT (siguiente)**.
7. El punto de ajuste de refrigeración parpadeará. Presione **↑** o **↓** para seleccionar el punto de ajuste de refrigeración para este período. Presione **NEXT (siguiente)**.
8. La pantalla mostrará el siguiente período de programación parpadeando. Repita los pasos 4 - 7 para los ajustes de los horarios Away (Fuera), Home (Casa) y Sleep (Dormir). Una vez completados todos los ajustes de programación para el día o días seleccionados, repita estos pasos para los demás días.
9. Presione el botón **SAVE & EXIT (guardar y salir)** en la parte superior izquierda.

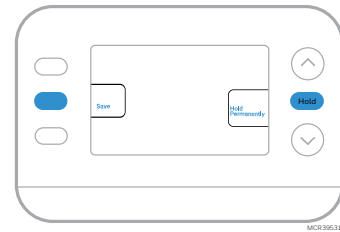


Al editar un horario existente, puede avanzar hasta el ajuste que desea cambiar, editar dicho ajuste y presionar el botón **SAVE & EXIT (guardar y salir)** para guardar los cambios.

Dependiendo del tipo de horario para el que se haya configurado el termostato, los días pueden agruparse o configurarse individualmente.

Anulación de la programación de horario (Temporal)

1. Presione **↑** o **↓** para ajustar la temperatura.
2. Una vez alcanzada la temperatura de ajuste deseada, no es necesario realizar ninguna otra acción. La nueva temperatura de ajuste se mantendrá hasta que comience el siguiente horario programado.
3. Presione el botón **SAVE (GUARDAR)** o espere a que se agote el tiempo de espera y vuelva a la pantalla de inicio. Para cancelar la Retención Temporal, presione y suelte el botón **HOLD (retener)** para navegar por los ajustes hasta seleccionar **CANCEL HOLD (cancelar retención)**.



Anulación de la programación de horario (Permanente)

1. Presione **↑** o **↓** para ajustar la temperatura.
2. Una vez alcanzada la temperatura deseada, presione y suelte el botón **HOLD (retener)** para navegar por las configuraciones hasta seleccionar **HOLD PERMANENTLY (retener permanentemente)**.
3. Presione el botón **SAVE (guardar)** o espere a que la pantalla se apague y regrese a la pantalla de inicio.

Para cancelar la retención permanente, presione y suelte el botón **HOLD (retener)** para navegar por los ajustes hasta que se seleccione **CANCEL HOLD (cancelar retención)**.

Bloqueo del teclado

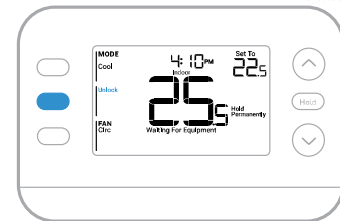
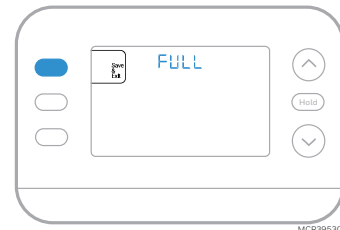
1. Presione MENU en el termostato.
2. Presione **↑** o **↓** para ir a **LOCK (bloquear)**. Presione **SELECT (seleccionar)**.
3. Presione **↑** o **↓** para ir a **OFF (desactivado)**, **PART (parcial)** u **ON (activado)** y luego presione **SELECT (seleccionar)**.

OFF (desactivado): Desbloqueado y acceso completo permitido.

PART (parcial): Bloqueo parcial, permitiendo sólo modificar la temperatura.

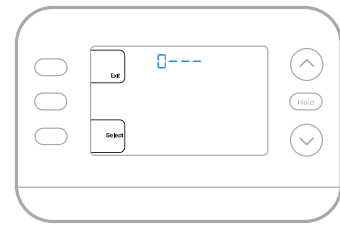
ON (activado): No se permite el acceso.

4. Presione el botón **SAVE & EXIT (guardar y salir)**.



Desbloqueo del teclado

1. Si el teclado está bloqueado (parcial o totalmente), la pantalla mostrará **UNLOCK (desbloquear)** junto al botón central izquierdo.
2. Para desbloquear el teclado, presione el botón central izquierdo hasta que la pantalla muestre un **0 y tres guiones** en la parte superior de la pantalla.
3. Introduzca la contraseña "1234". Para ingresar la contraseña, presione **↑** o **↓** para cambiar el primer dígito del Número.
4. Presione **SELECT (seleccionar)**.
5. Repita este proceso para introducir del segundo al cuarto dígito del número. Una vez que hayan sido ingresados los cuatro números, presione **SELECT (seleccionar)** nuevamente. Esto desbloqueará el teclado.
6. Si se introduce incorrectamente, presione **BACK** para ir un paso hacia atrás, ingrese el número correcto y después presione **SELECT (seleccionar)**.



La opción de bloqueo del teclado está disponible en el menú de usuario **SÓLO SI** el instalador ha configurado específicamente el termostato para permitir esta opción.

Recuperación Inteligente Adaptativa

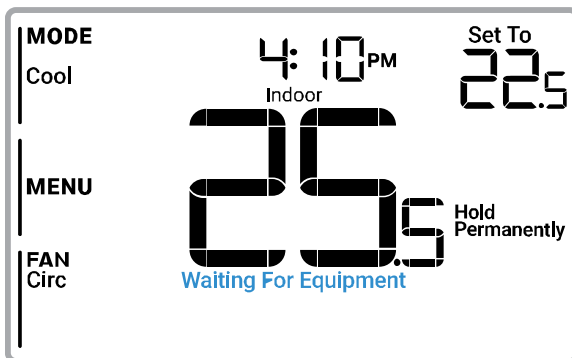
"Active Recovery" (Recuperación Activa) aparece en la pantalla debajo de la temperatura de la habitación cuando el termostato cambia de una temperatura de reducción a una temperatura de confort.

Con el tiempo, el termostato FocusPRO® P200 o S200 "aprende" cuánto tiempo le toma a su sistema alcanzar las temperaturas deseadas. El termostato activará el sistema de calefacción o refrigeración según sea necesario para garantizar que se sienta cómodo en los momentos esperados.

Protección integrada del compresor

Pueden ocurrir daños si el compresor de su sistema se reinicia demasiado pronto después del apagado. Esta función obliga al compresor a esperar unos minutos antes de volver a arrancar. Durante el tiempo de espera, la pantalla mostrará el mensaje **Waiting for Equipment (esperando equipo)** debajo de la lectura de temperatura ambiente.

Cuando haya transcurrido el tiempo de espera seguro, el mensaje desaparecerá y el termostato mostrará "Heat on" o "Cool On".



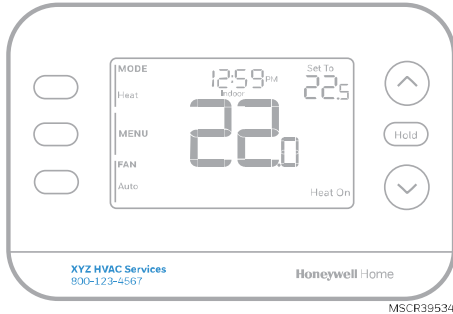
MSCR39528

Instalación/reemplazo de la pieza decorativa

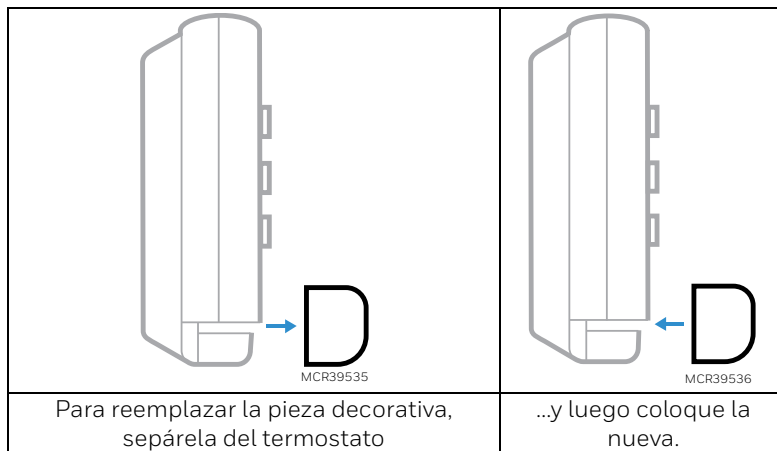
Pieza decorativa de marca privada para los modelos FocusPRO® N100, P200 y S200

Marca privada Se pueden pedir piezas decorativas de repuesto para termostatos N100, P200 y S200. Puede encontrar información sobre el programa de marca privada en:

resideo.com/us/en/pro/private-label-program



Ejemplo de piezas decorativas de marca privada que se pueden pedir para los termostatos enumerados anteriormente.



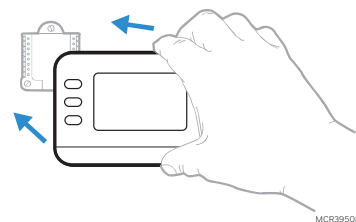
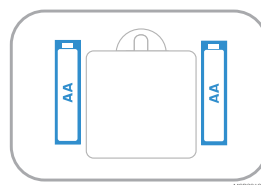
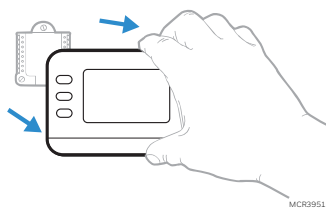
Consulte el video en:



Reemplazo de las baterías (solo modelos P200)

La pantalla del termostato le permitirá saber cuándo las baterías están bajas y necesitan ser reemplazadas.

- 1 Retire el termostato tirando de él para separarlo de su soporte, tal y como se muestra a continuación.
- 2 Asegúrese de utilizar baterías AA **nuevas** e insértelas como se muestra.
- 3 Después de insertar las baterías nuevas, alinee el termostato con la cubierta de pared UWP y empújelo suavemente hasta que encaje en su lugar.



Solución de problemas

<p>La pantalla está en blanco</p>	<ul style="list-style-type: none"> • Revise el interruptor y, si es necesario, reinicielo. • Asegúrese de que el interruptor de encendido del sistema de calefacción y refrigeración esté encendido. • Asegúrese de que la puerta del sistema de calefacción esté bien cerrada. • Asegúrese de que las baterías alcalinas AA nuevas estén instaladas correctamente. Ver Reemplazo de las baterías
<p>La calefacción o la refrigeración no funcionan</p>	<ul style="list-style-type: none"> • Cuando esté funcionando en calefacción, la pantalla mostrará HEAT ON (calefacción encendida) en la parte inferior derecha de la pantalla • Cuando esté funcionando en refrigeración, la pantalla mostrará COOL ON (refrigeración encendida) en la parte inferior derecha de la pantalla • Si la pantalla muestra WAITING FOR EQUIPMENT (esperando equipo) debajo de la lectura de temperatura, está en modo de retardo del compresor para proteger el sistema. Espere 5 minutos para determinar si el termostato realiza una llamada de calefacción o refrigeración • Si la pantalla no indica una solicitud de calefacción o refrigeración o WAITING FOR EQUIPMENT (Esperando Equipo), verifique la configuración del modo, el punto de ajuste de temperatura y la temperatura ambiente. Si presiona la flecha hacia arriba o hacia abajo <ul style="list-style-type: none"> • La parte superior izquierda de la pantalla muestra la configuración del modo • La parte superior derecha muestra el punto de ajuste • El centro de la pantalla muestra la temperatura ambiente • Si el problema persiste <ul style="list-style-type: none"> • Revise el interruptor y, si es necesario, reinicielo. • Asegúrese de que el interruptor de alimentación del sistema de calefacción y refrigeración está encendido • Asegúrese de que la puerta del sistema de calefacción esté bien cerrada.
<p>La calefacción o la calefacción auxiliar se activan al seleccionar el modo de refrigeración</p>	<ul style="list-style-type: none"> • Verifique que no haya ningún cable conectado a W para los sistemas de bomba de calor. Ver Diagramas de cableado. • Para aplicaciones de bomba de calor, la válvula de inversión se activa en calefacción en algunas bombas de calor y en refrigeración en otras bombas de calor. Compruebe que la ISU 2060 está ajustado correctamente • Verifique que ningún cable esté en cortocircuito. Busque secciones de cable expuestas en la cubierta de pared UWP
<p>La calefacción o la calefacción auxiliar se activan sin seleccionar el modo de calefacción o refrigeración.</p>	<ul style="list-style-type: none"> • Verifique que la pantalla no indique HEAT ON (calefacción activada), COOL ON (refrigeración activada) o AUX HEAT (calefacción auxiliar) • Verifique que no haya un cable conectado a W para los sistemas de bomba de calor. Ver Diagramas de cableado. • Verifique que ningún cable esté en cortocircuito. Busque secciones de cable expuestas en la cubierta de pared UWP
<p>No se puede cambiar el punto de ajuste a la configuración deseada</p>	<ul style="list-style-type: none"> • Si la pantalla indica UNLOCK (desbloquear) junto al botón central izquierdo, consulte Bloqueo del teclado • De lo contrario, verifique la configuración del modo [Heat (Calefacción), Cool (Refrigeración), Auto (Automático), o Em Heat (Calefacción de emergencia) en la parte superior izquierda de la pantalla] Los rangos de configuración para estos modos son: <ul style="list-style-type: none"> ○ Calefacción o Calefacción de emergencia: 0 °C a 32.0 °C (32 °F a 90 °F) ○ Refrigeración: 10.0 °C a 37.0 °C (50 °F a 99 °F) <p>Si el punto de ajuste se puede cambiar, pero no al rango completo que se muestra arriba, el termostato se puede configurar para un punto de ajuste de calefacción máximo o refrigeración mínimo para restringir configuraciones que son ineficientes desde el punto de vista energético.</p>
<p>WAITING FOR EQUIPMENT (Esperando Equipo) se muestra en la pantalla debajo de la temperatura ambiente</p>	<p>La función de protección del compresor está activada. Espere unos minutos a que el sistema se reinicie de forma segura para evitar dañar el compresor. Consulte Protección integrada del compresor.</p>

Especificaciones

Rangos de temperatura

Calefacción: 0 °C a 32.0 °C (32 °F a 90 °F)

Refrigeración: 50 °F a 99 °F (10.0 °C a 37.0 °C)

Temperatura ambiente de trabajo

0 °C a 48.9 °C (32 °F a 120 °F)

Temperatura ambiente de funcionamiento

0 °C a 38.9 °C (32 °F a 102 °F)

Temperatura de transporte

de -28.9 °C a 48.9 °C (de 20 °F a 120 °F)

Humedad relativa de funcionamiento

5% a 90% (sin condensación)

Dimensiones físicas en pulgadas y milímetros (alto x ancho x profundidad)

Termostato:

5-1/8" de ancho x 3-7/16" de alto x 1-3/16" de profundidad

130 mm de ancho x 87 mm de alto x 29.5 mm de profundidad

Cubierta:

6-1/16" de ancho x 4-3/5" de alto

154 mm de ancho x 117 mm de alto

Valores eléctricos

a) Potencia de entrada del dispositivo: c.a. 1,1 VA, 24V c.a. nominales (20-30V c.a.), 60 Hz

b) Capacidades de carga: consulte a continuación

c) Baterías: dos baterías AA de 1.5V (solo modelos P200)

Terminal	Voltaje (60 Hz)	Corriente
W Calefacción	24V c.a.	0.02-1.0 A
W Calefacción	750 mV c.c.	100 mA c.c.
W2 (Aux) Calefacción auxiliar	24V c.a.	0.02-1.0 A
E Calefacción de emergencia	24V c.a.	0.02-0.5 A
Y Etapa 1 del compresor	24V c.a.	0.02-1.0 A
Y2 Etapa 2 del compresor	24V c.a.	0.02-1.0 A
G Ventilador	24V c.a.	0.02-0.5 A
O/B Conmutación	24V c.a.	0.02-0.5 A
L/A Entrada	24V c.a.	0.02-0.5 A

* Los termostatos inteligentes pueden tener calefacción de 750 MV conectada a R y W, pero requieren 24 V c.a. en Rc y C

Avisos de seguridad y medio ambiente



PRECAUCIÓN: PELIGRO POR DESCARGA ELÉCTRICA

Puede causar descargas eléctricas o daños en el equipo. Desconecte la corriente antes de comenzar la instalación.



PRECAUCIÓN: PELIGRO DE DAÑOS AL EQUIPO

La protección del compresor se puentea durante las pruebas. Para evitar daños en el equipo, evite poner en marcha el compresor rápidamente.



PRECAUCIÓN: AVISO DE MERCURIO

Si este producto reemplaza un control que contiene mercurio en un tubo sellado, no arroje el control antiguo a la basura. Póngase en contacto con la autoridad local de gestión de residuos para obtener instrucciones sobre el reciclaje y la eliminación adecuada.



PRECAUCIÓN: AVISO SOBRE RESIDUOS ELECTRÓNICOS

El producto y las baterías no deben desecharse junto con otros residuos domésticos. Consultar los centros de acopio o recicladores autorizados más cercanos. La correcta eliminación de los equipos al final de su vida útil ayudará a evitar consecuencias negativas para el medio ambiente y la salud humana.

Declaración FCC disponible en: <https://customer.resideo.com/en-US/support/residential/codes-and-standards/FCC15105/Pages/default.aspx>

Asistencia al cliente

Para obtener ayuda con este producto, por favor visite customer.resideo.com

O llame al servicio de atención al cliente de Resideo al número gratuito **1-800-633-3991**

5 años de garantía limitada

Para obtener información sobre la garantía, visite honeywellhome.com/support

REGULATORY INFORMATION

FCC REGULATIONS

47 CFR § 15.19 (a)(3)

This device complies with Part 15 of the FCC Rules. Operation is subject to the following two conditions:

- (1) This device may not cause harmful interference,
- (2) This device must accept any interference received, including interference that may cause undesired operation.

47 CFR § 15.21 (USA only)

Changes or modifications not expressly approved by the party responsible for compliance could void the user's authority to operate the equipment.

47 CFR § 15.105 (b)

For additional FCC information for this product, see:

<https://customer.resideo.com/en-US/support/residential/codes-and-standards/FCC15105/Pages/default.aspx>

RF EXPOSURE STATEMENT

WARNING:

The antenna(s) used for these transmitters must be installed to provide a separation distance of at least 20 cm from all persons and must not be co-located or operating in conjunction with any other antenna or transmitter.

Operations in the 5150-5250 MHz band and in the 5250-5350 MHz band are restricted to Indoor use only.

IC REGULATIONS

RSS-GEN

This device contains licence-exempt transmitter(s)/receiver(s) that comply with Innovation, Science and Economic Development Canada's licence-exempt RSS(s).

Operation is subject to the following two conditions:

- 1 This device may not cause interference.
- 2 This device must accept any interference, including interference that may cause undesired operation of the device.

RF EXPOSURE STATEMENT

WARNING:

The antenna(s) used for these transmitters must be installed to provide a separation distance of at least 20 cm from all persons and must not be co-located or operating in conjunction with any other antenna or transmitter. Operations in the bands 5150-5250 MHz and 5250-5330 MHz is only for indoor use to reduce the potential for harmful interference to co-channel mobile satellite systems.

TH2320WF4011

The model TH2320WF4011 Thermostat has not been evaluated for conformance to the FCC, ISED or NOM requirements/standards.

INFORMATIONS RÉGLEMENTAIRES

RÉGLEMENTATION FCC

47 CFR § 15.19 (a)(3)

Cet appareil est conforme à la partie 15 des règles de la FCC. Son fonctionnement est soumis aux deux conditions suivantes :

- 1 Cet appareil ne doit pas provoquer d'interférences nuisibles, et
- 2 Cet appareil doit accepter toute interférence reçue, y compris les interférences susceptibles de provoquer un fonctionnement indésirable.

47 CFR § 15.21 (USA uniquement)

Les changements ou modifications non expressément approuvés par la partie responsable de la conformité peuvent annuler le droit de l'utilisateur à faire fonctionner l'équipement.

47 CFR § 15.105 (b)

Consultez le site

<https://customer.resideo.com/en-US/support/residential/codes-and-standards/FCC15105/Pages/default.aspx> pour obtenir des informations supplémentaires sur la FCC pour ce produit.

DÉCLARATION D'EXPOSITION AUX RF

MISE EN GARDE :

Les antennes utilisées pour ces émetteurs doivent être installées de façon à assurer une distance de séparation d'au moins 20 cm de toutes les personnes et ne doivent pas être co-installées ou exploitées conjointement avec une autre antenne ou un autre émetteur.

Les opérations dans la bande 5150-5250 MHz et dans la bande 5250-5350 MHz sont limitées à une utilisation intérieure uniquement.

RÉGLEMENTATION IC

RSS-GEN

Cet appareil contient un (des) émetteur(s)/récepteur(s) exempté(s) de licence qui est (sont) conforme(s) au(x) RSS(s) exempté(s) de licence du ministère de l'Innovation, des Sciences et du Développement économique du Canada. Son fonctionnement est soumis aux deux conditions suivantes :

- 1 Cet appareil ne doit pas provoquer d'interférences.
- 2 Cet appareil doit accepter toute interférence, y compris les interférences susceptibles de provoquer un fonctionnement indésirable de l'appareil.

DECLARATION D'EXPOSITION AUX RF

MISE EN GARDE :

Les antennes utilisées pour ces émetteurs doivent être installées de façon à assurer une distance de séparation d'au moins 20 cm de toutes les personnes et ne doivent pas être co-installées ou exploitées conjointement avec une autre antenne ou un autre émetteur.

Les dispositifs fonctionnant dans les bandes 5150-5250 MHz et 5250-5350 MHz sont réservés uniquement pour une utilisation à l'intérieur afin de réduire les risques de brouillage préjudiciable aux systèmes de satellites mobiles utilisant les mêmes canaux.

TH2320WF4011

Le thermostat modèle TH2320WF4011 n'a pas été évalué pour sa conformité aux exigences/normes de la FCC, de l'ISED ou du NOM.

INFORMACIÓN REGLAMENTARIA

REGLAMENTO FCC

47 CFR § 15.19 (a)(3)

Este dispositivo cumple con la parte 15 de las normas de la FCC. La operación está sujeta a las dos condiciones siguientes:

- 1 Este dispositivo no puede causar interferencias perjudiciales, y
- 2 Este dispositivo debe aceptar cualquier interferencia recibida, incluyendo interferencias que puedan causar un funcionamiento no deseado.

47 CFR § 15.21

Los cambios o modificaciones no aprobados expresamente por la parte responsable del cumplimiento podrían anular la autoridad del usuario para operar el equipo.

47 CFR § 15.105 (b)

Consulte:

<https://customer.resideo.com/en-US/support/residential/codes-and-standards/FCC15105/Pages/default.aspx> para obtener información adicional de la FCC para este producto

DECLARACIÓN DE EXPOSICIÓN A RF

ADVERTENCIA:

Las antenas utilizadas para estos transmisores deben instalarse de forma que proporcionen una distancia de separación de al menos 20 cm de todas las personas y no deben ubicarse ni funcionar junto con ninguna otra antena o transmisor.

Las operaciones en las bandas 5150-5250 MHz y 5250-5330 MHz son solo para uso en interiores, para reducir el potencial de interferencia dañina a los sistemas satelitales móviles de canal compartido.

NORMATIVA IC

RSS-GEN

Este aparato contiene transmisor(es)/receptor(es) exento(s) de licencia que cumple(n) con las RSS exentas de licencia de Innovación, Ciencia y Desarrollo Económico de Canadá. La operación está sujeta a las dos condiciones siguientes:

- 1 Este dispositivo no debe causar interferencias.
- 2 Este aparato debe aceptar cualquier interferencia, incluidas las que puedan causar un funcionamiento no deseado del aparato.

DECLARACIÓN DE EXPOSICIÓN A RF

ADVERTENCIA:

Las antenas utilizadas para estos transmisores deben instalarse de forma que proporcionen una distancia de separación de al menos 20 cm de todas las personas y no deben ubicarse ni funcionar junto con ninguna otra antena o transmisor.

Las operaciones en las bandas 5150-5250 MHz y 5250- 5330 MHz son solo para uso en interiores, para reducir el potencial de interferencia dañina a los sistemas satelitales móviles de canal compartido.

DECLARACIÓN IFT

La operación de este equipo está sujeta a las siguientes dos condiciones

1. Es posible que este equipo o dispositivo no cause interferencia perjudicial y.
2. Este equipo debe aceptar cualquier interferencia, incluyendo la que pueda causar su operación no deseada.

TH2320WF4011

El termostato modelo TH2320WF4011 no ha sido evaluado para determinar su conformidad con los requisitos/estándares FCC, ISED o NOM.

resideo
www.resideo.com

Resideo Technologies Inc.
Scottsdale, AZ 85254

33-00680EFS-01 MB Rev. 12-24

© 2024 Resideo Technologies, Inc.

The Honeywell Home trademark is used under license from
Honeywell International, Inc.

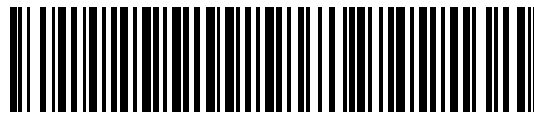
This product is manufactured by Resideo Technologies, Inc. and its
affiliates.

La marque Honeywell Home est utilisée sous licence de Honeywell
International, Inc.

Ce produit est fabriqué par Resideo Technologies, Inc. et ses
filiales.

La marca comercial Honeywell Home se utiliza bajo licencia de
Honeywell International, Inc.

Este producto está fabricado por Resideo Technologies, Inc. y sus
filiales.



33-00680EFS-01