



# IS Series Pressure Sensing Switches

## SPECIFICATION DATA



operation; proving a blocked filter with change in differential pressure; monitoring static pressure; sensing increase/decrease in system pressure; proving air across heating elements; detecting ice buildup in cooling coils; managing air in VAV systems; detecting web breaks on printing, coating or other web processes.

## FEATURES

### Standard Features

- **Low pressure sensitivity.**
- **Setpoint range of 0.10 in. wc (2.5 mm wc) to 5.0 in. wc (127 mm wc) [IS2]; 0.04 in. wc (1.0 mm wc) to 5.0 in. wc (127 mm wc)[IS3].**
- **Integrated sampling line connectors for 1/4 in. inside diameter (ID) tubing.**
- **Sample line connectors can be positioned at 15-degree increments.**
- **Color-coded pressure ports.**
- **Integrated screw bosses for mounting.**
- **Integrated snap switches.**
- **Integrated bleed holes.**
- **Bar-coded labeling.**

### Optional Features

- **Integrated mounting tabs.**
- **Data Matrix.**
- **L-shaped or half-strap brackets.**
- **1/4 in. or 3/16 in. mixed or dedicated terminals.**
- **Flow restricting orifices to dampen pressure surges.**
- **Sample line connectors can be positioned on the flat surface or the standard perimeter locations.**
- **3/16 in. fitting (IS2 only).**
- **Gold contacts for low electrical loads.**
- **Custom brackets for single (IS) and dual (BA) switch models.**

## GENERAL

The IS Series of pressure sensing switches offers the same proven compression spring and precision snap acting electrical switch as the other Resideo popular and widely used current models.

The IS Series is designed specifically to yield narrow switch differentials (the difference between on and off actuation points) as well as to hold tight setpoint tolerances throughout a wide temperature range.

The IS Series has also added various integrated mounting methods, which, in turn, can be augmented with individualized brackets for applications requiring unique mounting configurations.

The IS Series replaces older Resideo and Tridelta® PPS10000 and most 4000, 5000, 6000 and 7000 Series switches.

Typical applications include detecting blockage in gas combustion system appliances (furnaces, fireplaces, commercial cooking appliances, water heaters, boilers, process dryers, etc.); detecting condensate drain blockage and fluid buildup; draft inducer verification; proving fan



# SPECIFICATIONS

**Electrical Ratings:**

Spdt, Spst electrical load:

1/10 hp @ 120 to 277 Vac.

28 VA pilot duty @ 24 Vac.

125 VA pilot duty @ 120 Vac.

Spst electrical load:

5A resistive @ 120 to 277 Vac (IS2).

**Switching:** Spst, spdt.

**Electrical Connectors:**

1/4 in. x 0.032 or 3/16 in. x 0.032.

(Optional: 3/16 in. x 0.020.)

**Overpressure rating:** 3 to 14 in. wc.

**Ambient Temperature Range:** -40°F to +190°F (-40°C to +88°C).

**Sample Line:** Black positive; grey negative. 1/4 in. O.D. for use with 3/16 in. or 1/4 in. I.D. tubing; optional 3/16 in. O.D. (IS2 only.)

**Sample Medium:** Air.

**Dimensions:** For typical dimensions, see Fig. 1 through 9.

**Mounting Position:** Diaphragm must be vertical (horizontal optional).

**Materials:**

Diaphragm: Post-cured silicone.

Housing: Glass-filled poly.

**Product Life:**

Mechanical: 1,000,000 operations.

Electrical: 250,000 operations.

**Approvals:**

Underwriters Laboratories Inc. Approved: MP2168.

Canadian Underwriter Laboratories Inc. Approved: MP2168.

CE Approval: Pending.

**Accessories:**

27517BM L-Bracket (IS2).

27518BM 1/2 Strap Bracket (IS2).

37507BM L-Bracket (IS3).

37508BM 1/2 Strap (IS3).

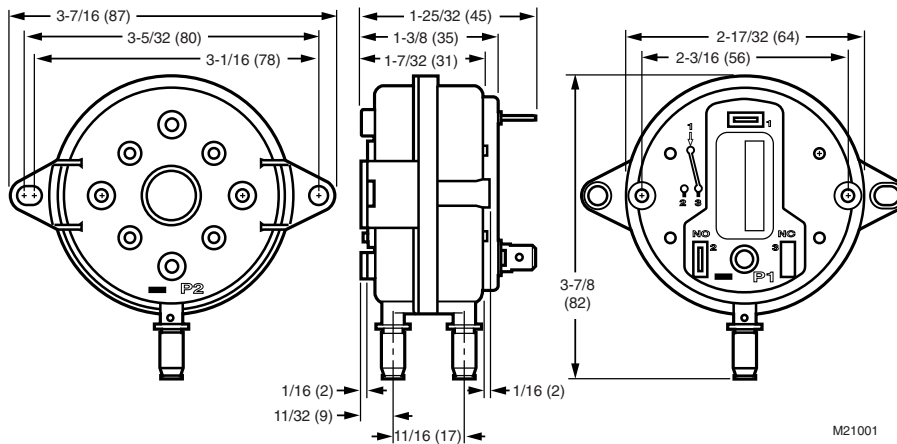


Fig. 1. Dimensions of foot-mounted IS2 Pressure Sensing Switch in in. (mm). Differential model shown.

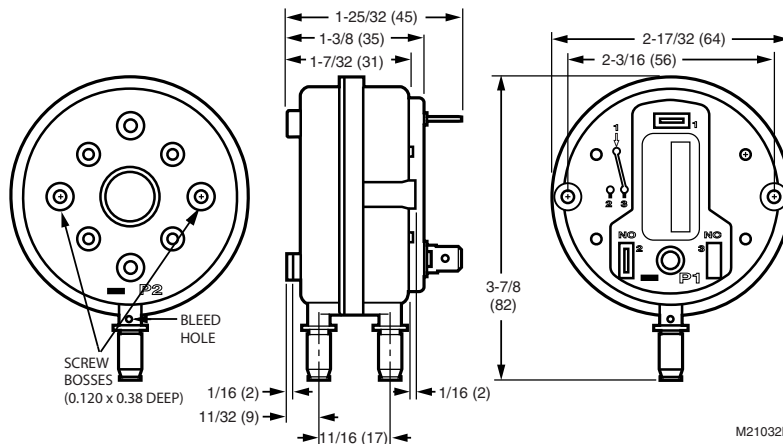


Fig. 2. Dimensions of IS2 Pressure Sensing Switch (without mounting feet or brackets) in in. (mm). Differential model shown.

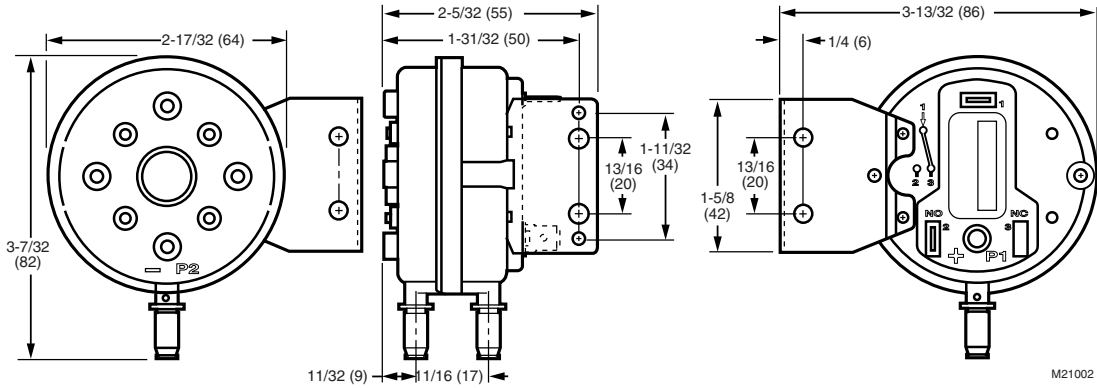


Fig. 3. Dimensions of L-bracket mounted IS2 Pressure Sensing Switch in in. (mm). Differential model shown. (Bracket can be placed on switch pan, as shown, or on mounting pan.)

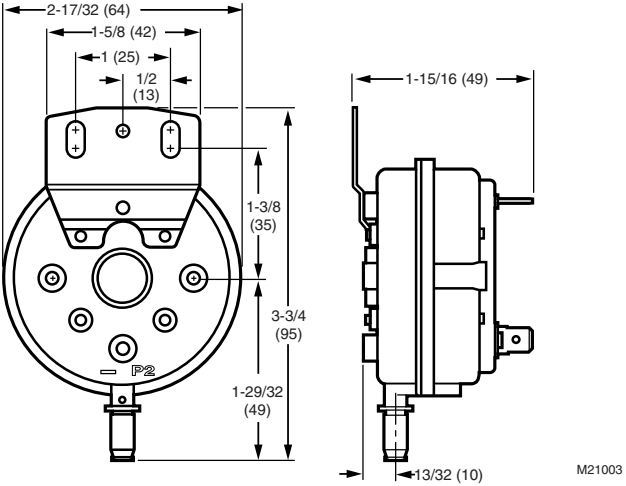


Fig. 4. Dimensions of Half-Strap bracket mounted IS2 Pressure Sensing Switch in in. (mm). Negative pressure model shown.

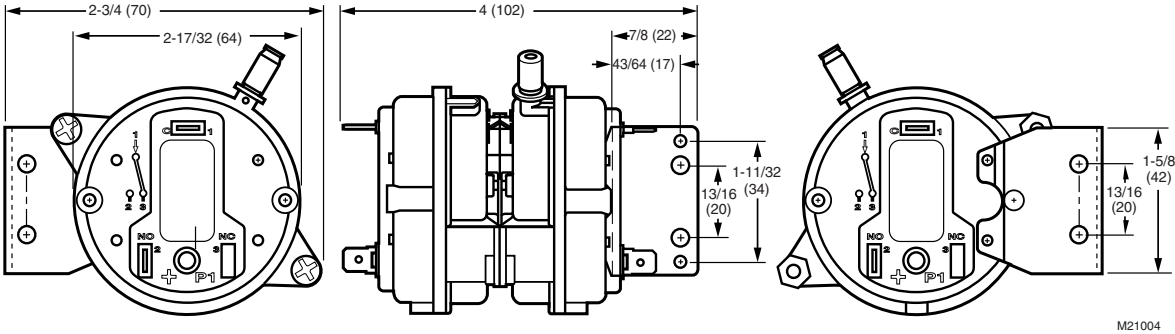


Fig. 5. Dimensions of typical combination-mounting of IS2 Pressure Sensing Switch in in. (mm). BA2 model shown.

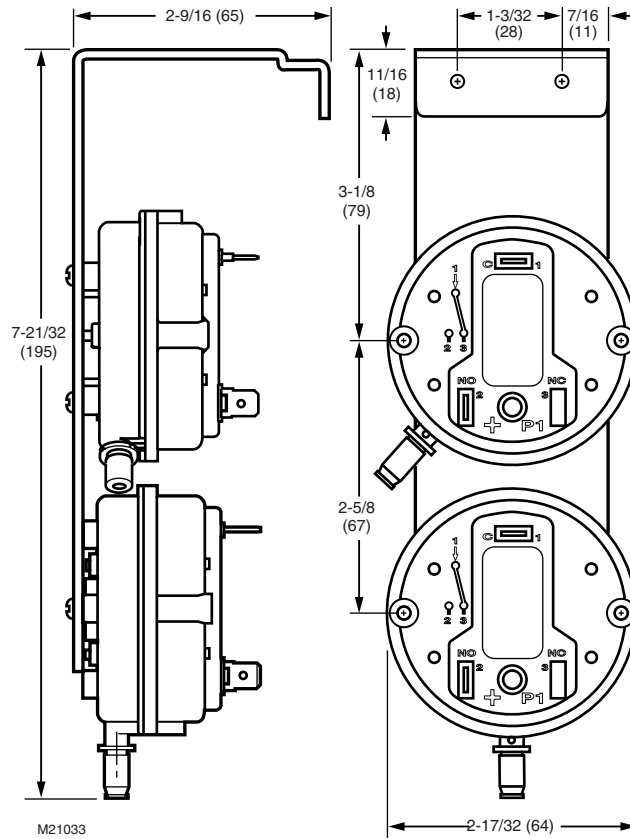


Fig. 6. Dimensions of custom side-by-side IS2 Pressure Sensing Switches in in. (mm). BA2 model shown.

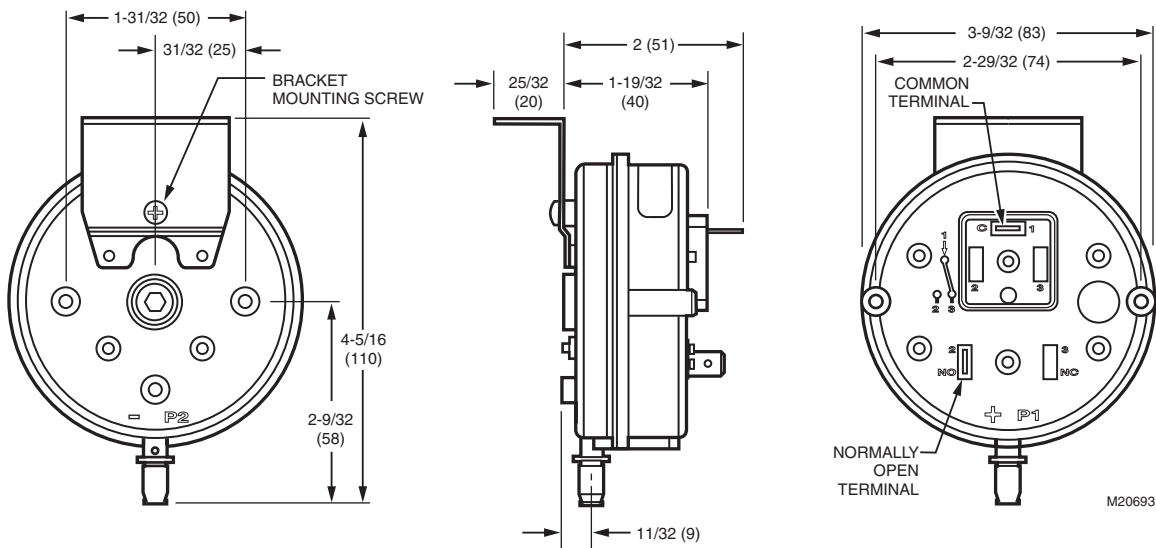


Fig. 7. Dimensions of IS3 Pressure Sensing Switch in in. (mm). L Bracket model shown. Negative pressure model shown.

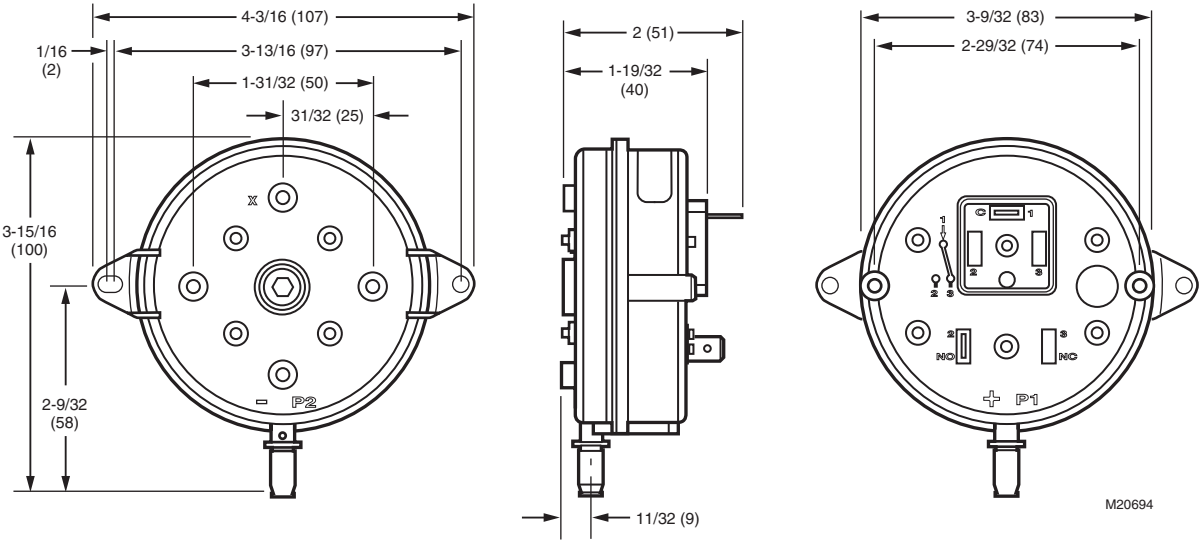


Fig. 8. Dimensions of IS3 Pressure Sensing Switch in in. (mm). Foot-mounted model shown. Negative pressure model shown.

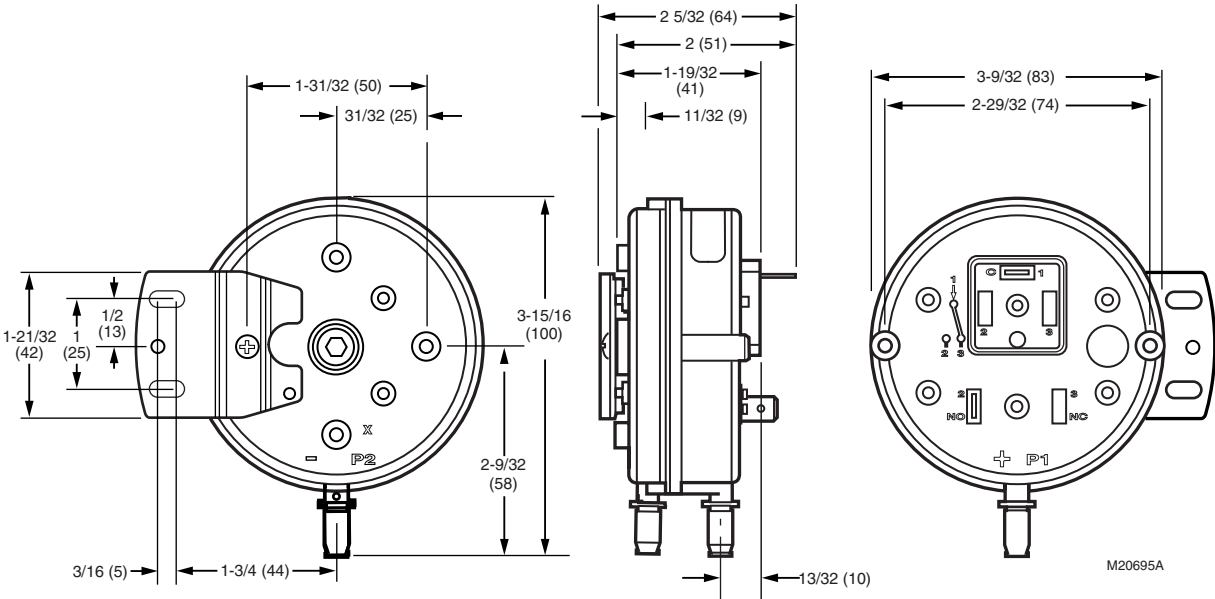


Fig. 9. Dimensions of IS3 Pressure Sensing Switch in in. (mm). Half-strap bracket model shown. Differential model shown.





*IS SERIES PRESSURE SENSING SWITCHES*



[www.resideo.com](http://www.resideo.com)

Resideo Technologies, Inc.  
1985 Douglas Drive North, Golden Valley, MN 55422  
1-800-468-1502  
68-3061-01 M.S. Rev. 05-20 | Printed in United States

© 2020 Resideo Technologies, Inc. All rights reserved.  
This product is manufactured by Resideo Technologies, Inc. and its affiliates.