



AQ25582B Expansion Zoning Panel for 8 Pumps

System commissioning date: _____
 Customer: _____
 Building address: _____

INSTALLATION JOB RECORD

INSTRUCTIONS:

Fill in the details of the equipment connected to the zoning module:

- A. Low voltage thermostats (for each of the 2 modules)
- B. Line voltage pumps (for each of the 2 modules)
- C. Review and set DIP switch settings - once the DIP switches have been set, complete the "Installer settings" diagram by filling in the circles to indicate the DIP switch position (for each of the 2 modules)

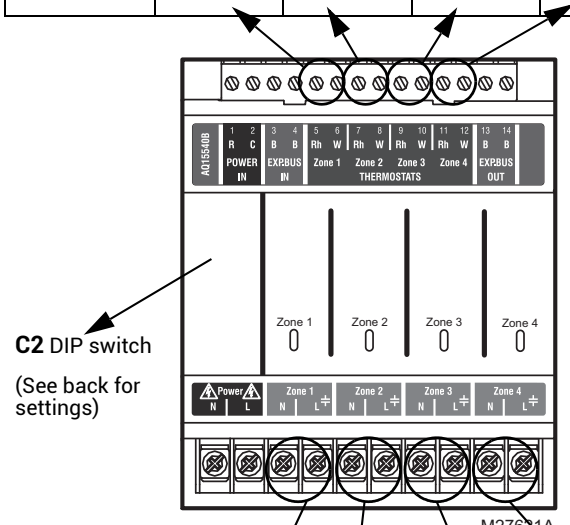
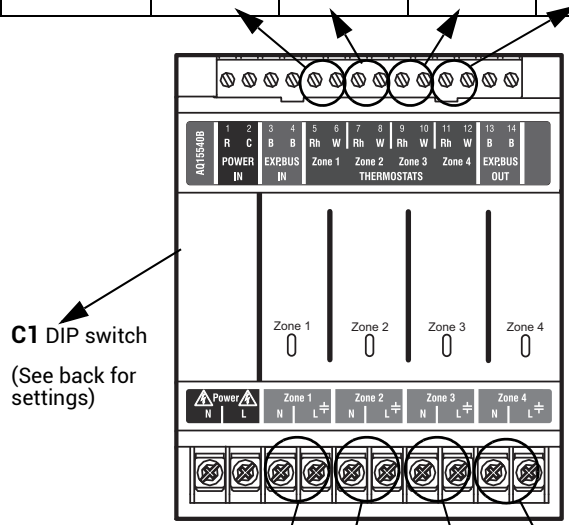
File this with other installation records for equipment used on this installation.

A1 Zoning Thermostats

Terminal #	5-6	7-8	9-10	11-12
Terminal ID	TH1	TH2	TH3	TH4
Function	Zone call for heat			
Equipment				
Manufacturer				
Model #				
Date Code				
Notes				

A2 Zoning Thermostats

Terminal #	5-6	7-8	9-10	11-12
Terminal ID	TH1	TH2	TH3	TH4
Function	Zone call for heat			
Equipment				
Manufacturer				
Model #				
Date Code				
Notes				



B1 Zoning Pumps

Terminal ID	Zone 1	Zone 2	Zone 3	Zone 4
System Zone #				
Function	Zone control			
Equipment	Pump	Pump	Pump	Pump
Manufacturer				
Model #				
Date Code				
Power draw Amps				
Notes				

B2 Zoning Pumps

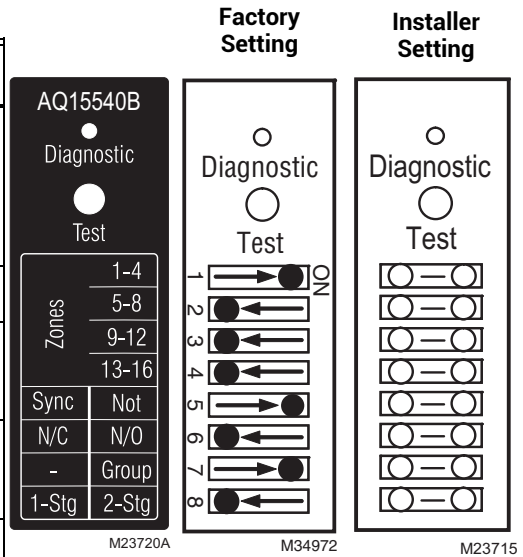
Terminal ID	Zone 1	Zone 2	Zone 3	Zone 4
System Zone #				
Function	Zone control			
Equipment	Pump	Pump	Pump	Pump
Manufacturer				
Model #				
Date Code				
Power draw Amps				
Notes				



C1 Zoning Module DIP Switch Settings

DIP Number	Description
1	Zone Address (Slide the DIP switch to the right position to indicate which group of zones this is; should be set to "1-4" for the first 4 space heating zones in the system [usually included with an AQ250 or AQ251 control panel], then "5-8" for the next group of 4 zones and so on. For each group of 4 zones, there can be only one DIP switch in the right hand position.)
2	
3	
4	
5	<ul style="list-style-type: none"> If set to SYNC, zone synchronization is enabled. If set to NOT, zone synchronization is disabled.
6	<ul style="list-style-type: none"> If zone valves are normally closed (N.C.), set the NC/NO DIP switch to the OFF position. If zone valves are normally open (N.O.), set the NC/NO DIP switch to the ON position.
7	<ul style="list-style-type: none"> If set to Group (ON position) the zone outputs are energized with the AUX pump*. If set to - (OFF position), the AUX Pump contacts are not affected by activity on these zones.
8	<ul style="list-style-type: none"> If set to 2-Stg (ON position), then 2-stage operation is activated on thermostat inputs. The zoning module operates as two 2-stage zones or 3 zones (one 2-stage and two 1-stage). If set to 1-Stg (OFF position), then operates as four 1-stage zones.

* If used with AQ250 RelayPlus Control Panel, the AQ15000B Boiler Control Module DIP switch #5 must be set to "GROUP" position and DIP switch #6 must be set to "MAIN" position
 If used with AQ251 Boiler Reset Control Panel, the EQUIPMENT SETUP > AUXILIARY I/O > AUX PUMP menu option on the AQ251 must be set to "GROUP"

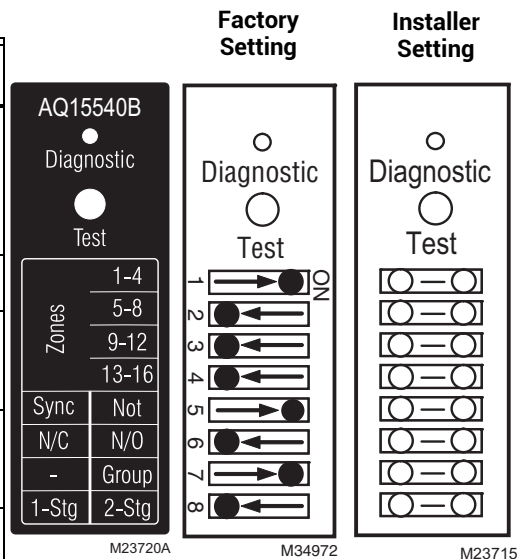


Fill in the circle to indicate position of DIP switch.

C2 Zoning Module DIP Switch Settings

DIP Number	Description
1	Zone Address (Slide the DIP switch to the right position to indicate which group of zones this is; should be set to "1-4" for the first 4 space heating zones in the system [usually included with an AQ250 or AQ251 control panel], then "5-8" for the next group of 4 zones and so on. For each group of 4 zones, there can be only <u>one</u> DIP switch in the right hand position.)
2	
3	
4	
5	<ul style="list-style-type: none"> If set to SYNC, zone synchronization is enabled. If set to NOT, zone synchronization is disabled.
6	<ul style="list-style-type: none"> If zone valves are normally closed (N.C.), set the NC/NO DIP switch to the OFF position. If zone valves are normally open (N.O.), set the NC/NO DIP switch to the ON position.
7	<ul style="list-style-type: none"> If set to Group (ON position) the zone outputs are energized with the AUX pump*. If set to - (OFF position), the AUX Pump contacts are not affected by activity on these zones.
8	<ul style="list-style-type: none"> If set to 2-Stg (ON position), then 2-stage operation is activated on thermostat inputs. The zoning module operates as two 2-stage zones or 3 zones (one 2-stage and two 1-stage). If set to 1-Stg (OFF position), then operates as four 1-stage zones.

* If used with AQ250 RelayPlus Control Panel, the AQ15000B Boiler Control Module DIP switch #5 must be set to "GROUP" position and DIP switch #6 must be set to "MAIN" position
 If used with AQ251 Boiler Reset Control Panel, the EQUIPMENT SETUP > AUXILIARY I/O > AUX PUMP menu option on the AQ251 must be set to "GROUP"



Fill in the circle to indicate position of DIP switch.



Resideo Technologies, Inc.
 1985 Douglas Drive North, Golden Valley, MN 55422
 1-800-468-1502
 69-1980-07 M.S. Rev. 10-20 | Printed in United States

www.resideo.com