

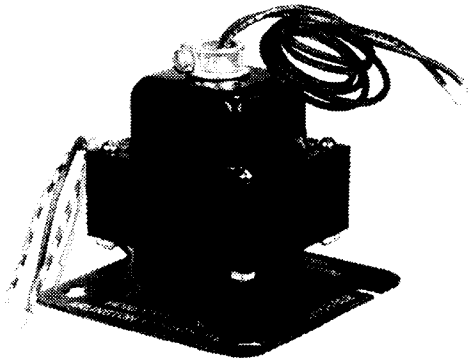
This is a legacy product document supported by Resideo. It is no longer manufactured

## Transformers

RC8

### GENERAL SPECIFICATIONS

#### AT50



RC8

This transformer with mounting plate for a standard 4 x 4 outlet box is used in HVAC applications.

#### Electrical Ratings:

Primary Voltage

- 240/480V ac, 50/60 Hz
- 277V ac, 50/60 Hz

Secondary voltage:

- 17/24 V ac at 50 VA

#### Connections:

- Primary: 8-in. (203-mm) leadwires
- Secondary: 18-in. (457-mm) leads

#### Approval Bodies:

Underwriters Laboratories (UL) listed

#### Dimensions:

See Figure 1.

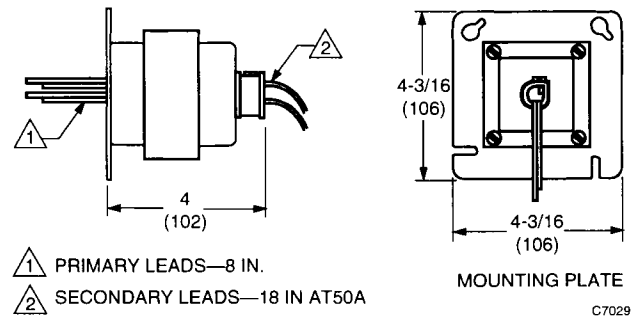
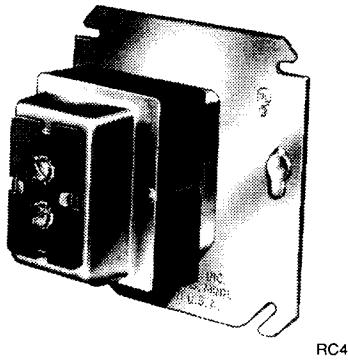


Fig. 1. AT50 Approximate Dimensions in Inches (Millimeters).



**AT72D**



RC4

**Connections:**

Primary: 9-in. (229-mm) leadwires

Secondary:

- 9-in. (229-mm) leads
- 32-in. (800-mm) leads
- Screw terminals

**Approval Bodies:**

Underwriters Laboratories (UL) listed  
Canadian Standards Association (CSA) Approved

**Dimensions:**

See Figure 2.

This Class Z stepdown transformer with mounting plate for a standard 4 x 4 outlet box is used in HVAC applications. It has an internal fusible link for overload protection.

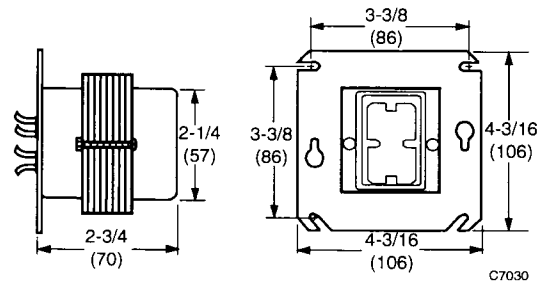
**Electrical Ratings:**

Primary Voltage

- 120V ac, 50/60 Hz
- 208V ac, 50/60 Hz
- 220V ac, 50 Hz
- 220V ac, 50/60 Hz
- 240V ac, 50/60 Hz
- 208/2240V ac, 50/60 Hz

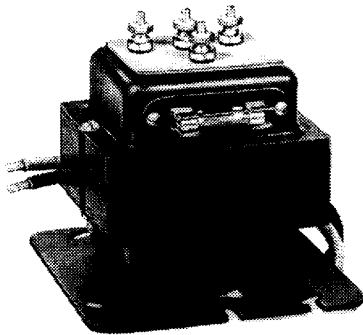
Secondary voltage:

- 24 V ac at 39 VA



**Fig. 2. AT72D Approximate Dimensions in Inches (Millimeters).**

**AT74A**



RC5

This rugged, heavy duty general purpose transformer without overload protection is used in HVAC applications. It includes a mounting plate for a standard 4 x 4 outlet box.

**Electrical Ratings:**

Primary Voltage

- 120V ac, 50/60 Hz
- 208V ac, 50/60 Hz
- 240V ac, 50/60 Hz

Secondary voltages:

- 18V ac at 65 VA
- 20V ac at 80 VA
- 24V ac at 100 VA

**Connections:**

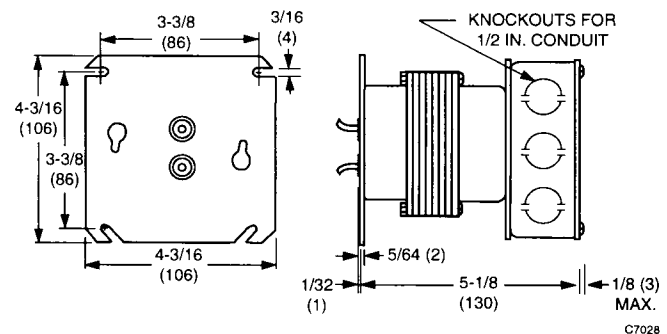
Primary: Leadwires  
Secondary: Thumb screws

**Approval Bodies:**

Underwriters Laboratories (UL) listed  
Canadian Standards Association (CSA) Approved

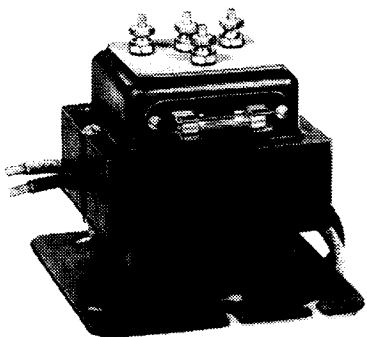
**Dimensions:**

See Figure 3.



**Fig. 3. AT74A and B Approximate Dimensions in Inches (Millimeters).**

□ AT74B



RC5

This rugged, heavy duty general purpose transformer with replaceable overload protection is used in HVAC applications. It includes a mounting plate for a standard 4 x 4 outlet box.

**Electrical Ratings:**

Primary Voltage

- 120V ac, 50/60 Hz

Secondary voltages:

- 18V ac at 3A
- 20V ac at 3A
- 24V ac at 3A

**Connections:**

Primary: Leadwires

Secondary: Thumb screws

**Approval Bodies:**

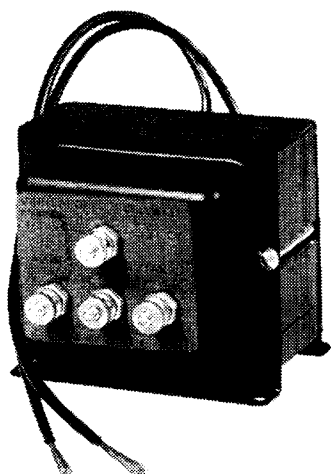
Underwriters Laboratories (UL) listed

Canadian Standards Association (CSA) Approved

**Dimensions:**

See Figure 3.

□ AT74C



RC3

This rugged, heavy duty general purpose transformer without overload protection is used in HVAC applications. It is foot mounted.

**Electrical Ratings:**

Primary Voltage

- 120V ac, 50/60 Hz

Secondary voltages:

- 20V ac at 80 VA
- 24V ac at 96 VA
- 28V ac at 84 VA

**Connections:**

Primary: Leadwires

Secondary: Thumb screws

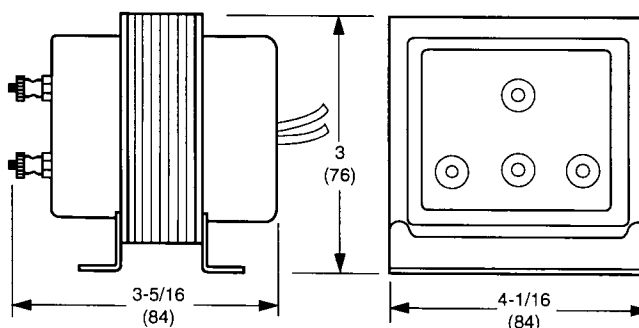
**Approval Bodies:**

Underwriters Laboratories (UL) listed

Canadian Standards Association (CSA) Approved

**Dimensions:**

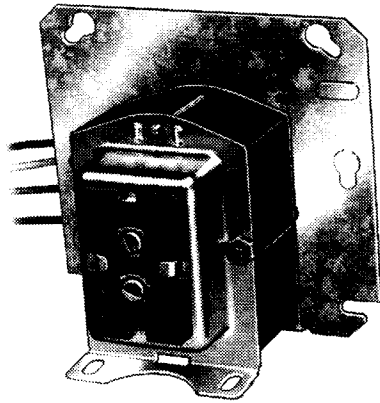
See Figure 4.



C7032

**Fig. 4. AT74C Approximate Dimensions in Inches (Millimeters).**

□ **AT87A**



RC7

- 120/208/2240V ac, 50/60 Hz
  - 208/240V ac, 50/60 Hz
- Secondary voltages:
- 20V ac at 80 VA
  - 24V ac at 96 VA
  - 28V ac at 84 VA

**Connections:**

Primary: Leadwires  
 Secondary: Screws terminals

**Approval Bodies:**

Underwriters Laboratories (UL) listed  
 Canadian Standards Association (CSA) Approved

**Dimensions:**

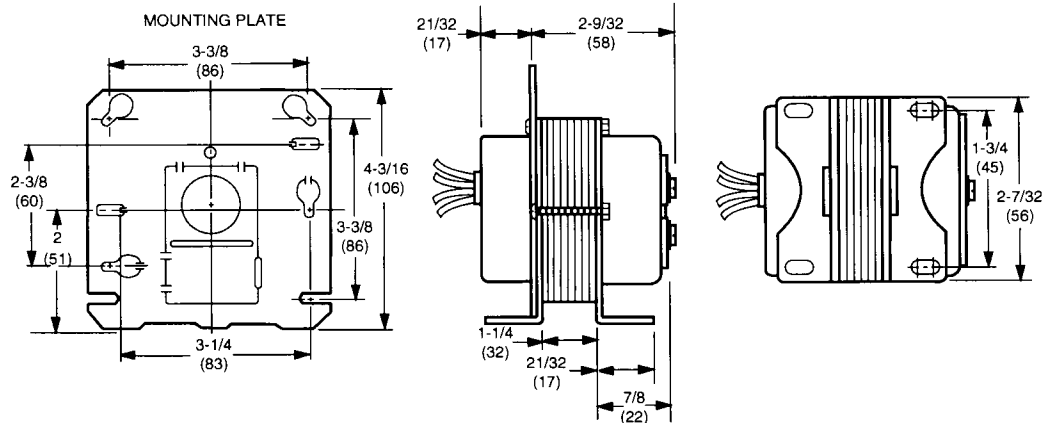
See Figure 5.

This Class 2, energy limited, transformer without overload protection is used in HVAC applications. It includes a mounting plate for a standard 4 x 4 outlet box.

**Electrical Ratings:**

Primary Voltage

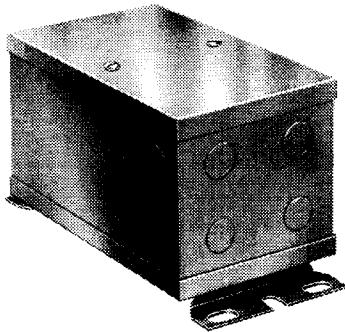
- 120V ac, 50/60 Hz
- 240V ac, 50/60 Hz
- 277V ac, 50 Hz



C7031

**Fig. 5. AT87A Approximate Dimensions in Inches (Millimeters).**

**AT92A**



RC8

**Connections: (See Fig. 7 for schematic)**

Primary: Leadwires  
Secondary: Leadwires

**Approval Bodies:**

Underwriters Laboratories (UL) listed  
Canadian Standards Association (CSA) Approved

**Dimensions:**

See Figure 6.

This Class 1 Type A transformer is used in HVAC applications. The core and coils are potted in a heavy sheet metal box.

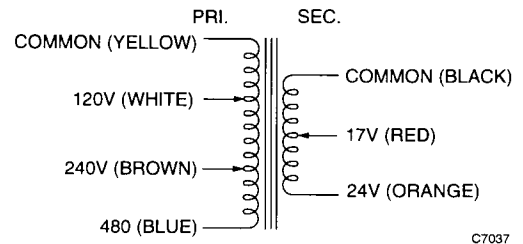
**Electrical Ratings:**

Primary Voltage

- 120/240/480V ac, 50/60 Hz

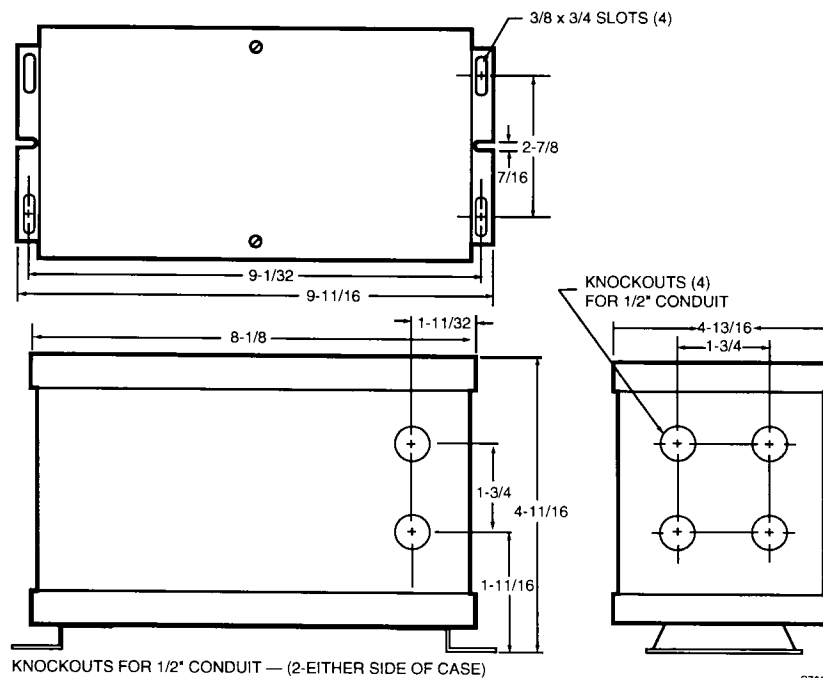
Secondary voltages:

- 17V ac at 70 VA
- 24V ac at 100 VA



C7037

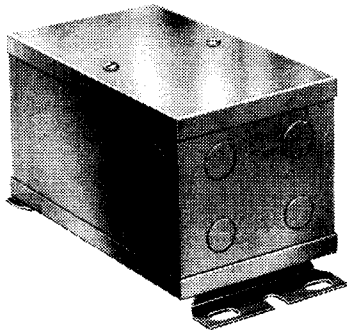
**Fig. 7. AT92 A and C Schematic.**



C7038

**Fig. 6. AT92A, B, AND C Approximate Dimensions in Inches (Millimeters).**

**AT92B**



RC6

This Class 1 Type A transformer is used in HVAC applications. The core and coils are potted in a heavy sheet metal box.

**Electrical Ratings:**

Primary Voltage  
240/480V ac, 50/60 Hz

Secondary voltages:

- 120V ac at 100 VA
- 240V ac at 100 VA

**Connections: (See Fig. 8 for schematic)**

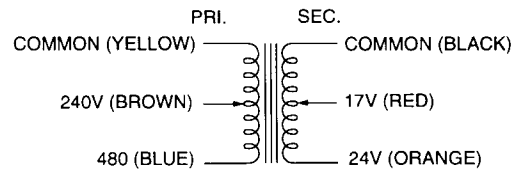
Primary: Leadwires  
Secondary: Leadwires

**Approval Bodies:**

Underwriters Laboratories (UL) listed  
Canadian Standards Association (CSA) Approved

**Dimensions:**

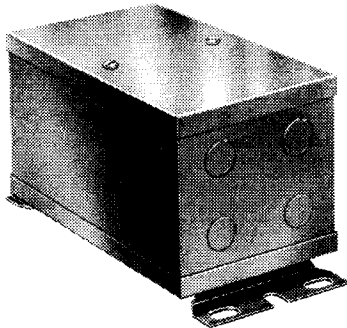
See Figure 6.



C7036

**Fig. 8. AT92B Schematic.**

**AT92C**



RC6

This Class 1 Type A transformer is used in HVAC applications. The core and coils are potted in a heavy sheet metal box.

**Electrical Ratings:**

Primary Voltage  
 120/240/480V ac, 50/60 Hz

Secondary voltages:

- 17V ac at 175 VA
- 24V ac at 250 VA

**Connections: (See Fig. 7 for schematic)**

Primary: Leadwires  
Secondary: Leadwires

**Approval Bodies:**

Underwriters Laboratories (UL) listed  
Canadian Standards Association (CSA) Approved

**Dimensions:**

See Figure 6.

**Honeywell**

**Home and Building Control**  
Honeywell Inc.  
Honeywell Plaza  
P.O. Box 524  
Minneapolis, MN 55408-0524

**Home and Building Control**  
Honeywell Limited-Honeywell Limitée  
740 Ellesmere Road  
Scarborough, Ontario  
M1P 2V9

*Helping You Control Your World*