



# Specification Data

## Minneapolis-Honeywell Regulator Company

MINNEAPOLIS 8, MINNESOTA • TORONTO 17, ONTARIO

**application:** The R447 and R847 Switching Relays are designed for the control of heavy loads, such as cooling compressors or electric heaters, and make possible the control of heavy loads with sensitive thermostats and controllers.

**construction:** The R847A, with a built-in transformer, and the R847B, without transformer, are designed for use with a sensitive low-voltage thermostat. The R447A is designed for use with a line-voltage thermostat with a separate power supply.

These relays have a metal case with a wrap-around cover held in place by a captive screw. Electrical access is provided by knockouts at the top and bottom of the case.

### specifications:

#### MODELS:

R847A Switching Relay with internal transformer. For use with low-voltage thermostat.

R847B Switching Relay without transformer. For use with low-voltage thermostat.

R447A Switching Relay for use with line-voltage thermostat.

**CONTACT RATINGS:** Inductive Load Rating in Amperes at 120, 208, or 240 v ac—

	DPST switching	SPST switching (Poles Paralleled)
Full load	16.0	22.0
Locked rotor	72.0	100.0

Resistance Load (in watts)—

	DPST	SPST (poles paralleled)
240 volts	3,500 per pole	7,000
120 volts		3,500

**POWER CONSUMPTION:** 9.5 Watts.

**VOLTAGE AND FREQUENCY:** 240, 208, 120, or 24 volts; 60 cps.

**FINISH:** Gray Wrinkle.

**APPROVAL:** Listed by Underwriters' Laboratories, Inc.

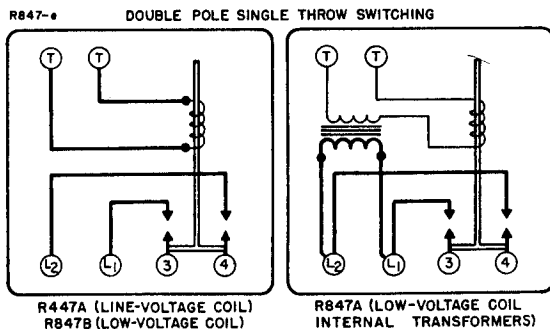
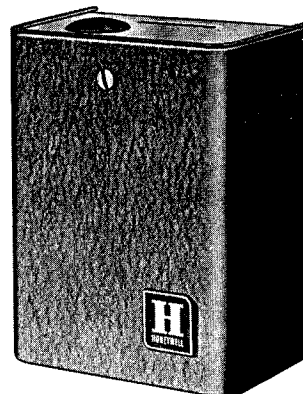


Fig. 1—Internal Circuits of Relays as Shipped from Factory.

3-62 RLJ  
Printed in U.S.A.

## R447A, R847 A & B SWITCHING RELAYS



WHEN SPECIFYING, INDICATE:

1. Model number.
2. Voltage and frequency.

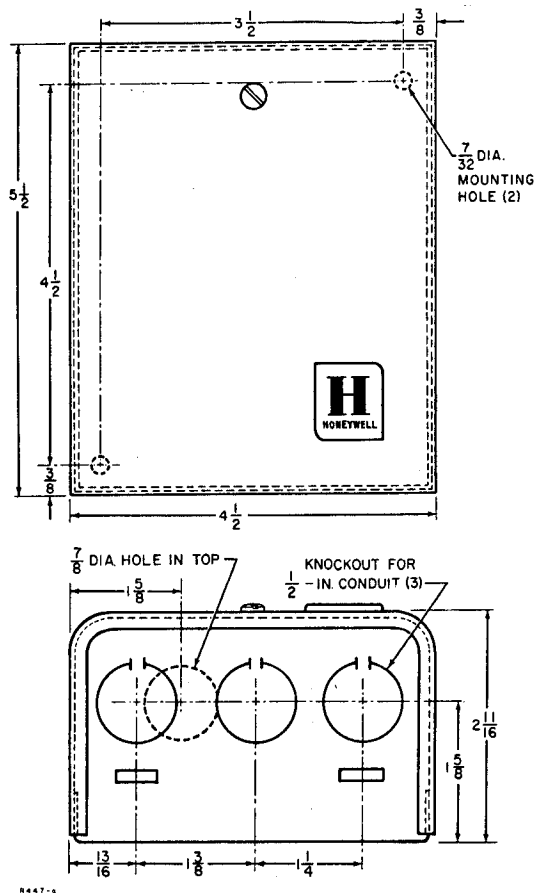


Fig. 2—Approximate Dimensions in Inches.

**typical operation:** On a call for heat by a controller, the switching relay closes a line-voltage circuit, activating an electric heater, or similar load.

Order This Sheet By Form Number **74-3283**