



R447 A, R847 A-B Switching Relays

INSTALLATION INSTRUCTIONS



APPLICATION

The R447 and R847 are switching relays for line (R447) or low (R847) voltage control of heavy-duty loads such as cooling compressors or electric heating. They provide switching of relatively high current by a low-amperage thermostat.

These relays have optional dpst or spst switching action. The R847A has an integral transformer to provide low voltage for the control circuit; the R847B requires an external transformer.

INSTALLATION

MOUNTING

Mount relays vertically on a firm wall or partition near the device to be controlled, in a location that is easily accessible for installation and service (see Fig. 1 for mounting dimensions).

To reduce transformer hum and relay noise that are sometimes amplified by mounting surfaces of sheetmetal, plasterboard, and similar materials, place rubber or felt washers between the case and the mounting surface.

1. Position the relay and mark the screw holes.
2. Start a screw in the mounting hole in upper right corner. Screw it down to 1/8 inch from the mounting surface.
3. Position the case, and start the bottom screw; tighten both screws.

WIRING

All wiring must agree with applicable electrical codes, in such matters as wire size, type of insulation, and enclosure.

Typical hookups are illustrated in Fig. 2–6. Never connect load terminals to a load that takes more current than the amount listed in the electrical ratings on the relay.

THE R447 AND R847 ARE FACTORY WIRED FOR DPST SWITCHING AS SHOWN IN FIGURE 2. FOR OTHER SWITCHING, REFER TO FIG. 3, 4, 5, AND 6 FOR LOCATION OF FLEXIBLE LEAD AND POSSIBLE ADDITION OF JUMPER

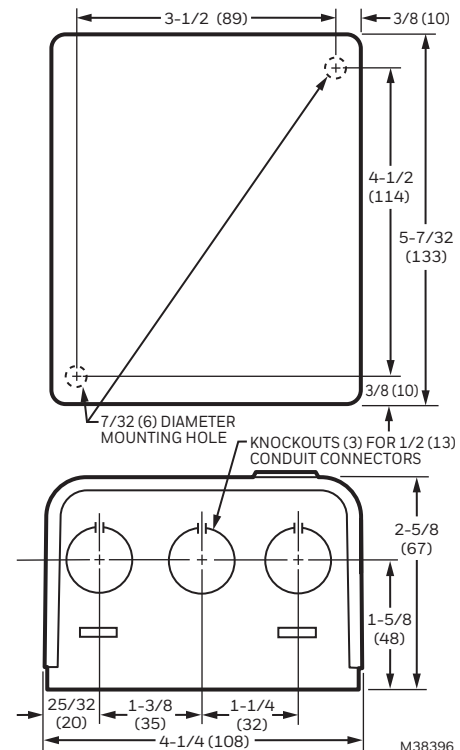


Fig. 1. Installation Dimensions (inches).



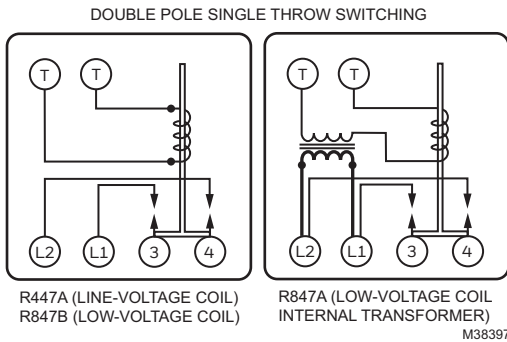


Fig. 2. Internal circuit drawings of relays as shipped from the factory. Maximum load, 16 amperes.

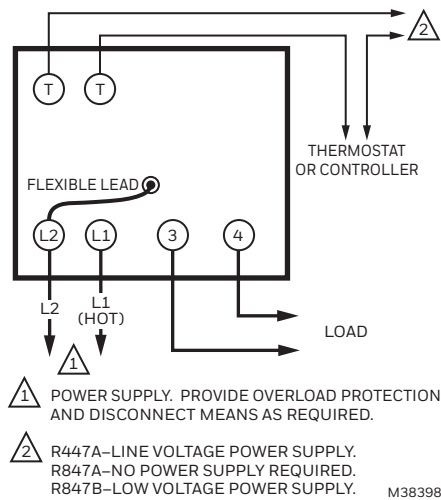


Fig. 3. Relay wired to break both sides of circuit with DPST switching. Maximum load, 16 amperes.

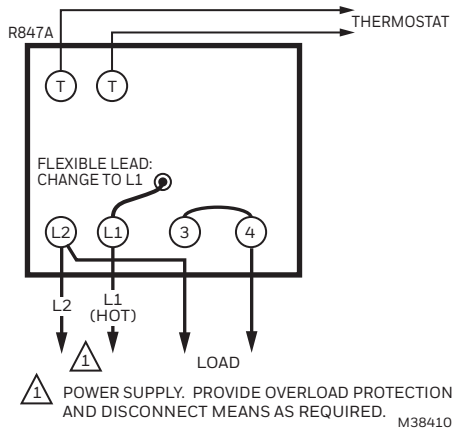


Fig. 4. R847A wired to break one side of circuit with SPST switching. Max. load—22 Amps.

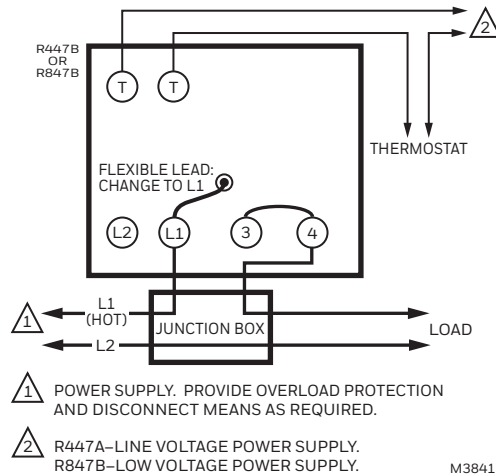


Fig. 5. R447A or R847B wires to break one side of circuit with SPST switching. Max. load—22 Amps.

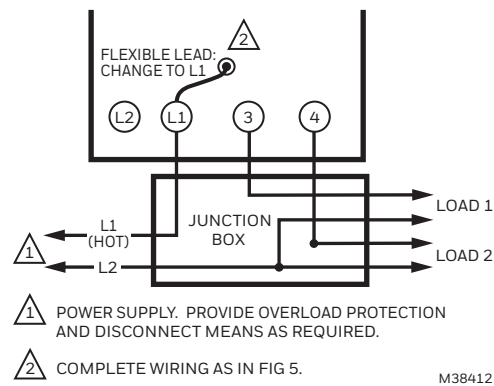


Fig. 6. R447A or R847B wired for multiple loads with DPST switching—breaks one side of each circuit. Max. load—16 Amps per load.

CHECKOUT

Operate system from the controller to make certain relay pulls in and drops out as controller makes and breaks. Be sure equipment operates as intended when the relay is energized.

SERVICE SUGGESTIONS

1. Do not use oil on any part of the relay.
2. The cover should be left on the relay at all times.
3. Relay contacts are so arranged that they close with a wiping action and are therefore self-cleaning. The contacts may turn black after being in service for some time. This discoloration, however, does not prevent proper operation and need not be removed.



Resideo Technologies, Inc.
1985 Douglas Drive North, Golden Valley, MN 55422
1-800-468-1502

www.resideo.com

95-6763-04 M.S. Rev. 05-20 | Printed in United States