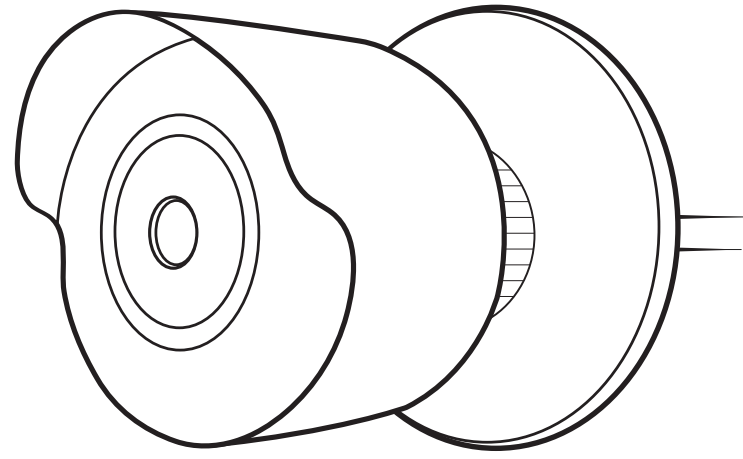


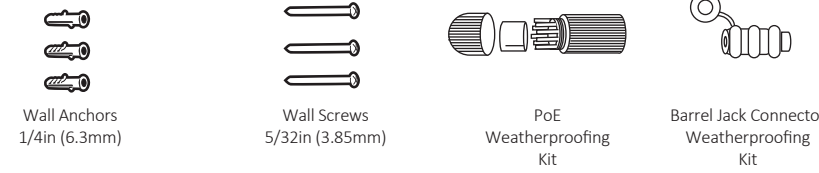
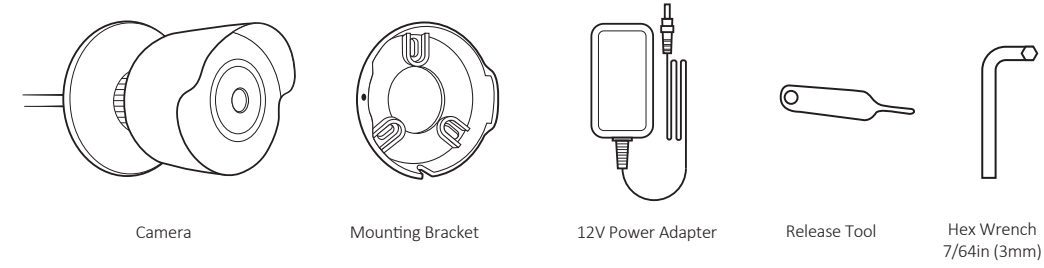
FIRST ALERT®

VX3 HD Video Outdoor Camera Installation Guide

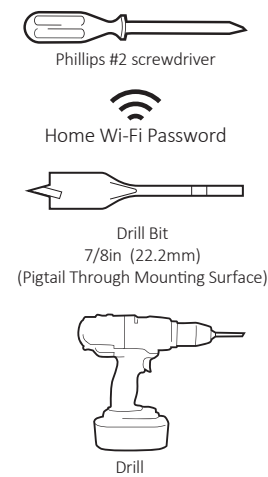


Online Guides
www.resideo.com

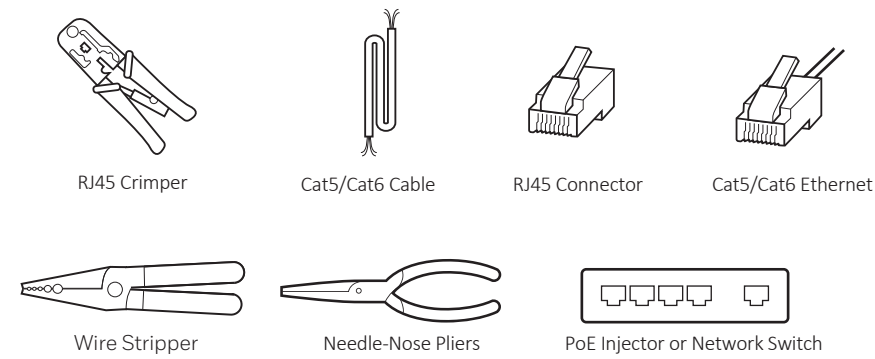
Included in the Box



Tools you will need:



You may need:



IMPORTANT: Before Installation

Setup and operation requires an account and a mobile app. See **setup** requirements below:
Performing the setup **before** physical installation in hard-to-reach locations is recommended.

- For best performance and to avoid tampering, mount the camera from 7 to 9 feet high (2.1 - 2.7 meters), with a clear field of view.
- Read these instructions carefully; failure to follow the instructions can damage the product or cause a hazardous condition.
 - Check the product information to see if the product is suitable for your application.
 - Installer must be a trained, experienced service technician.
 - After completing installation, use these instructions to verify the product's operation.

Connectivity

The camera supports Wi-Fi and Ethernet connectivity; select one for normal operation.

For Wi-Fi connections, the camera requires a continuous 2Mbps or faster upload connection to the Internet.

Note: Verify a minimum signal strength of -65dBm at the installation location to ensure reliable and timely video transmission.

Use the app for step-by-step install and setup instructions.

- From the App, add the device from the menu or Camera screen
- Select the correct device
- Follow the in-app instructions.

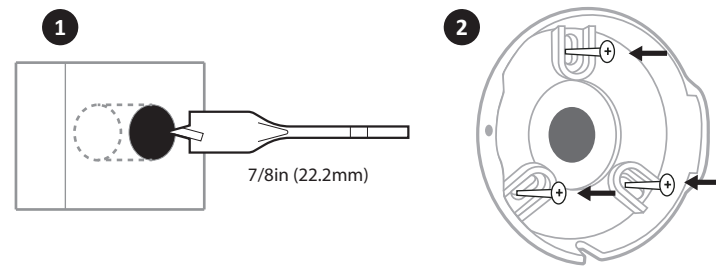
Or continue steps 1 to 4 below...

GET IT ON Google Play
Download on the App Store

1 Mounting Plate Installation

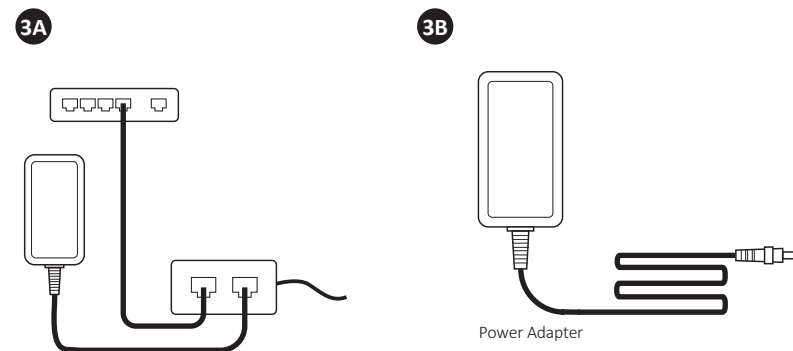
For best performance and to avoid tampering, mount the camera from 7 to 9 feet high (2.1 - 2.7 meters), with a clear field of view.

- Drill Hole Through Mounting Surface**
Skip this step if you are not routing cables through the mounting surface. The recommended drill bit size is 7/8in (22.2mm) or larger.
- Align and Install the Mounting Bracket**
If routing cables through the mounting surface, align the mounting bracket's center opening with the hole you drilled.
Screw the mounting bracket to the surface with the screws provided. If necessary, use the included wall anchors.



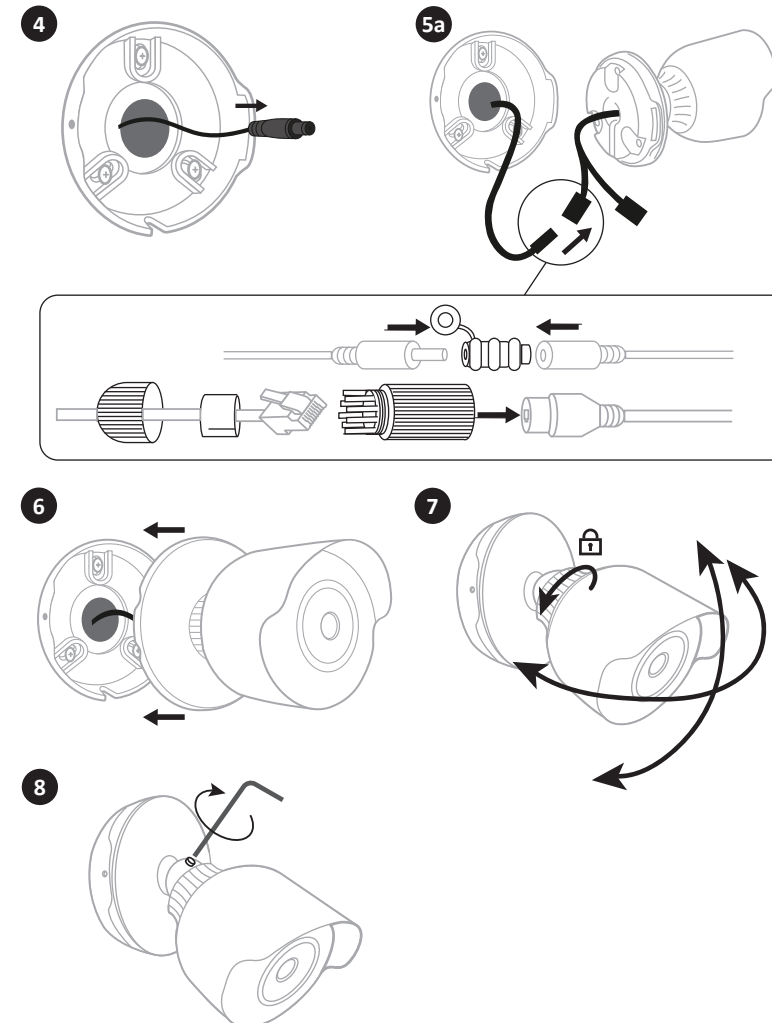
2 Cable and Power Installation

- Prepare Cabling (Power Over Ethernet installation only)**
Connect PoE injector or network switch to network source. Route Cat5/Cat6 cable to the install location. Do not power the PoE injector or switch at this time.
- Prepare Cabling (Wi-Fi/Standard Power installation only)**
Route the included power adapter cable from the intended wall outlet to the install location. **DO NOT** plug the power adapter into the wall at this time.
(Continued at right)



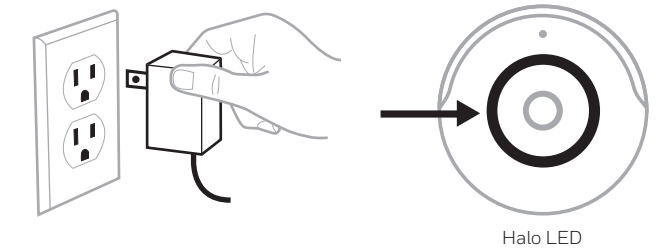
3 Outdoor Camera Installation

- Route Cable Through Drilled Hole**
Route the cable through the hole drilled previously. Make sure the cable doesn't retract.
- Connect Cable to Device**
Connect the cable to the matching connector on the back of the camera.
For Standard Power
Apply the weatherproofing seal around the barrel jack connectors. If not using standard power, use the plug on the weatherproofing seal to protect the unused connector.
For PoE
Apply the weatherproofing kit around the ethernet connection. If not using POE, the weatherproofing kit is not required around the ethernet connector.
- Attach Camera to the Mounting Bracket**
Align and snap the camera to the mounting bracket while routing the cable bundle through the drilled hole.
- Position Camera**
Position the camera to point at the desired area. Tighten the locking collar to lock the camera into place.
- Set Screw**
Using the provided hex wrench, tighten the set screw on the collar to permanently secure the camera's position.



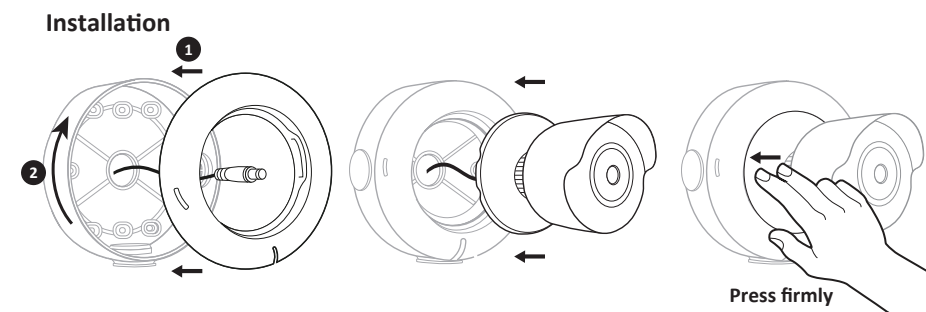
4 Connecting to App

- Connect the power supply. (If using PoE, apply power to the PoE injector or network switch.)
- When the power is on, wait for the Halo LED to flash blue. This indicates BLE pairing mode.
- Follow instructions in app to complete setup.

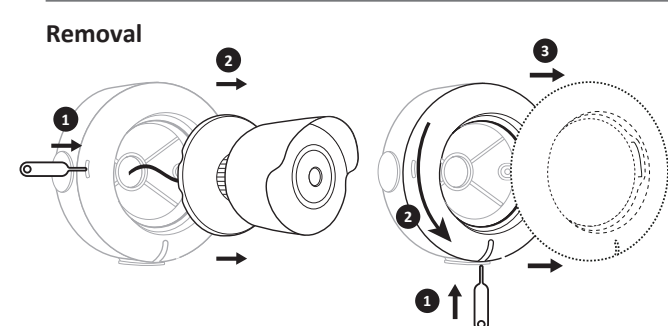


Back Box Accessory Part #: CAMWE-WOBB (sold separately)

- Conduit Support**
Supports three 1/2in (7.3mm) conduit.
- Cable Management**
Allows for out-of-wall cabling and connections.
- Weatherproofing**
IP66 rated to ensure cable protection.
- Stand-Off**
Increase camera height in difficult installation scenarios.



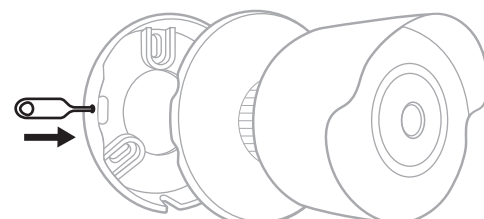
- Easy Installation**
Replaces standard mounting bracket while retaining ease of installation with minimum number of screws.



Troubleshooting

Removing the Camera

To uninstall or adjust wiring, use the Release Tool (provided) in the pinhole at the side of the mounting bracket.*



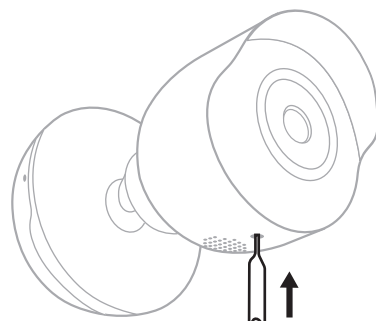
Removing Camera

Accessing the Reset Button

The reset button is located on the bottom of the device.*

Camera does not Power On

If the light does not come on, check that the power is on and the correct cables are connected.



Reset Button Location

Forced Reboot

To force reboot for any reason, press the reset button for 5 seconds.*

Factory Reset

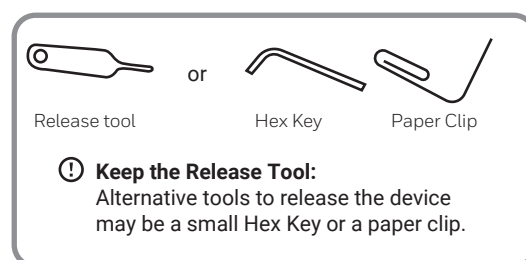
To factory reset for any reason, press the reset button for 25 seconds.*

Camera not in Pairing Mode

If the blue light does not illuminate, press the reset button for 10 seconds to initiate pairing mode.

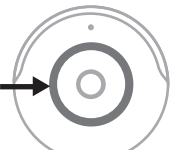
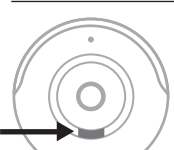
Adjusting Camera and Event Sensitivity

Use the app to adjust sensitivity in the camera's settings.



*If you're still experiencing issues, follow the setup instructions in the app.

Lighting Functions

Light On Device	Light Color	Light Behavior	Device Status	Note/Resolution
 Halo LED	Installation			
	White	Slow Pulse	Camera is starting. Bluetooth pairing will start automatically.	Follow In-App Bluetooth Pairing Instructions.
	Blue	Slow Pulse	Bluetooth Pairing	
	Blue	Solid	Wi-Fi Pairing and Registration	
	Red	2 Rapid Pulse	Error/Setup Fail	Follow In-App Troubleshooting
	Green	2 Rapid Pulse	Success/Confirmation	
	No Light		No Power	Check Wiring Connections
	In Use			
	White	Solid/Dim	Idle Night/Dark Conditions	
	White	Brightness Increase	Person Sensed	
White	Pulsing	Firmware Update	Wait for Update to Complete	
Green	Solid	Two Way Communication		
Yellow	Solid 5 Sec	Forced Reboot(Reset Button Pressed)		
Red	Solid 5 Sec to Cycle	Factory Reset(Reset Button Held)		
No Light		Idle Day/Bright Conditions		
 Spotlight	White	Solid	Person Sensed	Colored NightVision Mode On
	White	Rapid Pulsing	Tamper Alarm or Alarm Triggered	Reconnect Device or Disable Alarm

Camera Specifications

Outdoor Camera

Part Number.....CAMWE-WO
 Operating Temperature.....-40°F to 122°F (-40 °C to 50°C)
 Operating Humidity.....10 to 85% Non-condensing
 Shipping Temperature.....-4°F to 158°F (-20 °C to 70°C)
 Shipping Humidity.....10 to 95% Non-condensing
 Physical Dimensions.....3 x 3 x 5 in (76.2 x 76.2 x 127.0 mm)
 Color.....White
 Power Input.....12VDC or 802.3af PoE Class 3 PD
 Microphone range.....10 ft (3 m)
 Speaker range.....15 ft (4.6 m)
 Weatherproofing.....IP66

FEDERAL COMMUNICATIONS COMMISSION & ISED STATEMENTS

The user shall not make any changes or modifications to the equipment unless authorized by the Installation Instructions or User's Manual. Unauthorized changes or modifications could void the user's authority to operate the equipment.

CLASS B DIGITAL DEVICE STATEMENT

This equipment has been tested to FCC requirements and found to comply with the limits for a Class B digital device, pursuant to part 15 of the FCC Rules. These limits are designed to provide reasonable protection against harmful interference in a residential installation. This equipment generates uses and can radiate radio frequency energy and, if not installed and used in accordance with the instructions, may cause harmful interference to radio communications. However, there is no guarantee that interference will not occur in a particular installation. If this equipment does cause harmful interference to radio or television reception, which can be determined by turning the equipment off and on, the user is encouraged to try to correct the interference by one or more of the following measures:

- If using an indoor antenna, have a quality outdoor antenna installed.
- Reorient or relocate the receiving antenna.
- Move the radio or television receiver away from the receiver/control.
- Increase the separation between the equipment and receiver.
- Connect the equipment into an outlet on a circuit different from that to which the receiver is connected.
- Consult the dealer or an experienced radio/TV technician for help.

FCC / ISED STATEMENT

This device complies with Part 15 of the FCC Rules, and ISED's license-exempt RSSs. Operation is subject to the following two conditions:

1) This device may not cause harmful interference, and (2) This device must accept any interference received, including interference that may cause undesired operation.

Cet appareil est conforme à la partie 15 des règles de la FCC et exempt de licence RSS d'ISED. Son fonctionnement est soumis aux conditions suivantes:

(1) Cet appareil ne doit pas causer d'interférences nuisibles. (2) Cet appareil doit accepter toute interférence reçue y compris les interférences causant une réception indésirable.

RF EXPOSURE STATEMENT:

The antenna(s) used for this device must be installed to provide a separation distance of at least 7.8 inches (20 cm) from all persons and must not be co-located or operating in conjunction with any other antenna or transmitter except in accordance with FCC and ISED multi-transmitter product procedures.

MISE EN GARDE EXPOSITION AUX FRÉQUENCES RADIO:

La/les antenne(s) utilisée(s) pour cet émetteur doit/doivent être installée(s) à une distance de séparation d'au moins 20 cm (7,8 pouces) de toute personne et ne pas être située(s) ni fonctionner parallèlement à tout autre transmetteur ou antenne, excepté en conformité avec les procédures de produit multi transmetteur FCC et ISED.

CAUTION:

User should also be advised that:

The maximum antenna gain permitted for devices in the band 5725-5825 MHz shall comply with the e.i.r.p. limits specified for point-to-point and non point-to-point operation as appropriate. High-power radars are allocated as primary users (i.e. priority users) of the bands 5250-5350 MHz and 5650-5850 MHz and that these radars could cause interference and/or damage to LE-LAN devices.

Les utilisateurs devraient aussi être avisés que

Le gain maximal d'antenne permis (pour les dispositifs utilisant la bande 5725-5825 MHz) doit se conformer à la limite de p.i.r.e. spécifiée pour l'exploitation point à point et non point à point, selon le cas. De plus, les utilisateurs de radars de haute puissance sont désignés utilisateurs principaux (c.-à-d., qu'ils ont la priorité) pour les bandes 5250-5350 MHz et 5650-5850 MHz et que ces radars pourraient causer du brouillage et/ou des dommages aux dispositifs LAN-EL.

FCC 15.407(c) states: The device shall automatically discontinue transmission in case of either absence of information to transmit or operational failure.

These provisions are not intended to preclude the transmission of control or signaling information or the use of repetitive codes used by certain digital technologies to complete frame or burst intervals.

This equipment should be installed in accordance with National Electrical Code, NFPA 70, Standard for the Installation of Residential Fire Warning Systems, CAN/ULC-S540 and Chapter 2 of the National Fire Alarm Code, ANSI/NFPA 72 (National Fire Protection Association, Batterymarch Park, Quincy, MA 02269). Printed information describing proper installation, operation, testing, maintenance, evacuation planning, and repair service is to be provided with this equipment.

Canadian Installations

For Installation in Canada, wiring shall be in accordance with CSA C22.1, Canadian Electrical Code, Part I, Safety Standard for Electrical Installations ; CAN/ULC S302, Standard for the Installation, Inspection and Testing of Intrusion Alarm Systems; and CAN/ULC S301, Standard for Signal Receiving Centre Intrusion Alarm Systems and Operations.

SUPPORT & WARRANTY

For the latest documentation and online support information, please go to:
www.resideo.com

For the latest warranty information, please go to:
www.resideo.com



The product (and contained batteries) should not be disposed of with other household waste. Check for the nearest authorized collection centers or authorized recyclers. The correct disposal of end-of-life equipment will help prevent potential negative consequences for the environment and human health.

Any attempt to reverse-engineer this device by decoding proprietary protocols, de-compiling firmware, or any similar actions is strictly prohibited.

Responsible Party / Issuer of Supplier's Declaration of Conformity: Ademco Inc., a subsidiary of Resideo Technologies, Inc.
 2 Corporate Center Dr., Melville, NY 11747, Ph: 516-577-2000

This product manufactured by Resideo Technologies, Inc. and its affiliates



resideo
www.resideo.com

Resideo Technologies, Inc
 2 Corporate Center Drive, Suite 100
 P.O. Box 9040, Melville, NY 11747
 © 2023 Resideo Technologies, Inc. All rights reserved.



R800-28055D 8/23 Rev. D