

HE120A,B By-Pass Drum Humidifier

INSTALLATION INSTRUCTIONS

WARNING

Electrocution and Chemical Hazard.
Can cause death or blindness.

Do not cut or drill into any air conditioning line or electrical accessory.

CAUTION

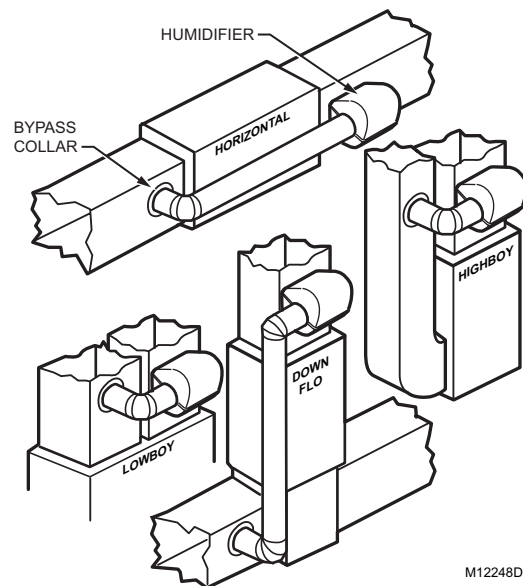
Freezing Water Hazard.
Can result in water damage to property.

Locate the humidifier where the ambient temperature is between 32°F and 180°F (0°C and 93°C).

IMPORTANT

Template must be level before marking location.

1. Determine the best location for the humidifier and draw a level line on the duct. See Fig. 1.
2. Tape this template in position and trace around it.
3. Remove the template and carefully cut the rectangular opening.
4. Position the humidifier housing (see Fig. 2) over the hole (be sure it is level) and mark the five mounting holes.



M12248D

Fig. 1. Typical humidifier installation locations.

TEMPLATE

TEMPLATE

TEMPLATE



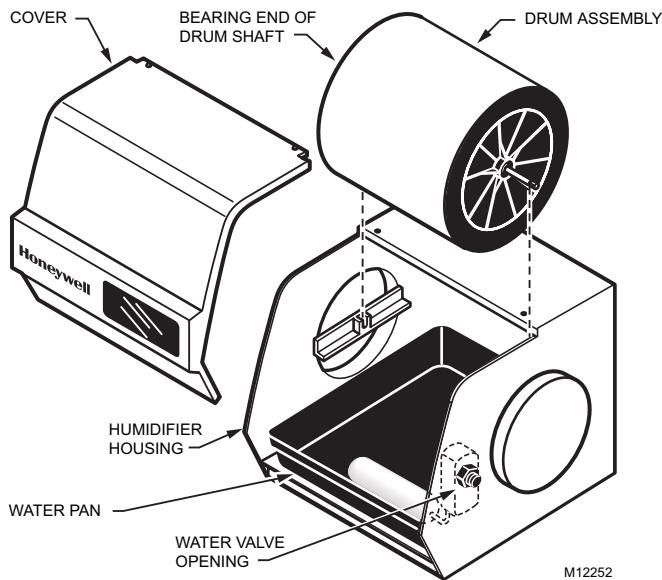


Fig. 2. Humidifier components.

5. Set the cabinet aside and drill the five 7/64 in. (3 mm) mounting holes.
6. Start the three 3/4 in. (19 mm) sheet metal screws in the top holes.
7. Place the humidifier housing over the screws, level the housing and tighten the three screws.
8. Use two 1/2 in. (13 mm) screws to secure the humidifier housing at the bottom.
9. On the inside of the humidifier housing where the by-pass tube connects, snap the bearing bracket in place with the U shape of the bracket pointing up.
10. Snap the motor plate into place on the opposite side of the humidifier housing.

NOTE: Be sure the motor coupling is positioned toward the top.

11. Place the lead wires through the hole in the bottom of the motor cover and snap the cover in place.

12. Cut an opening for the 6 in. (152 mm) collar in the selected by-pass location.

NOTE: Be sure to install a duct damper for summer shutoff if there is air conditioning.

13. Install the 6 in. (152 mm) collar.
14. Use sheet metal screws to connect the by-pass tubing from the collar to the humidifier.
15. Seal the connections with duct tape.
16. Insert the drain fitting in the bottom of the humidifier housing.

NOTE: Be sure the overflow tube is positioned toward the front, on the same side as the by-pass tubing. The tubing should not touch hot surfaces or sharp edges.

17. Place the water pan in the humidifier housing so the overflow tube is above the previously installed drain fitting.
18. Attach a 3/8 in. (10 mm) I.D. tubing to the drain fitting and route continuously downward to a suitable drain, or catch basin.
19. Screw the float onto the float valve assembly.
20. Attach the float valve to the humidifier housing on the same side as the motor.
21. Insert the valve hole plug in the double D hole on the opposite side of the valve.
22. Assemble the drum and humidifier pad. See Fig. 3.
23. Insert the drum assembly into the motor coupling end and snap into the bearing end.
24. Install the saddle valve (using the instructions on the saddle valve bag) on the nearest cold water pipe.
25. Connect the copper tubing and route to the humidifier.
26. Connect the copper tubing to the humidifier valve and finger tighten.
27. Use a 1/2 in. open end or adjustable wrench to tighten the compression fitting securely.
28. Turn on the water at the saddle valve and adjust the water level to 1-3/8 in. (35 mm) deep.

NOTE: To raise the water level in the water pan, turn the valve adjustment screw (located on the water valve inside the humidifier) clockwise to lower it and counterclockwise to raise it.

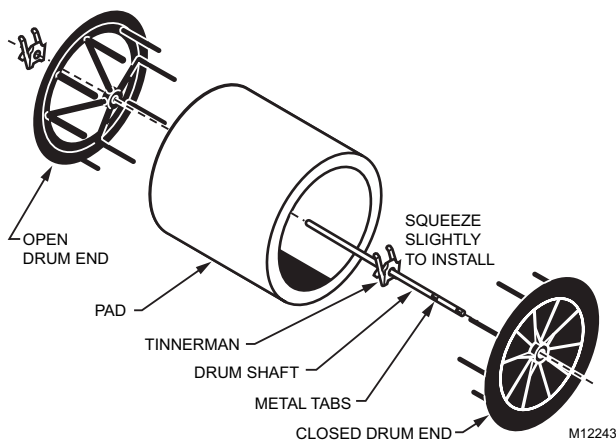


Fig. 3. Drum and humidifier pad assembly.

WIRING



CAUTION

Electrical Shock Hazard.

Can shock or burn out equipment.

- Disconnect power supply before installing or servicing.
- To prevent premature transformer burnout on multispeed blower applications, do not wire the high voltage side of the transformer to the same power source that services the furnace blower.

Automation and Control Solutions

Honeywell International Inc.
1985 Douglas Drive North
Golden Valley, MN 55422
customer.honeywell.com

Honeywell Limited-Honeywell Limitée
35 Dynamic Drive
Scarborough, Ontario M1V 4Z9

All wiring must comply with applicable local codes, ordinances and regulations.

1. Mount the transformer in a convenient location.
2. Connect the wires to the 120V side of the transformer.
3. Wire the drum motor, transformer, and humidity Control. Refer to the humidity Control installation instructions for mounting and wiring information.

CHECKOUT PROCEDURE

After winter startup or maintenance, use the following procedure to check the humidifier operation:

1. Turn on the humidifier power and water supply.
2. Check the water level in the humidifier water pan water level setting should be 1-3/8 in. (35 mm). Turn the valve adjustment screw (located on the water valve inside the humidifier) clockwise to lower the water level, and counterclockwise to raise it.
3. Turn the Convertible Humidity Control to the highest setting, or the H1008 Automatic Humidity Control to the Test position, and set the thermostat to 10°F (6°C) above the room temperature.
4. Check that the humidifier pad is rotating.
5. Reset the thermostat and the Convertible Humidity Control to a comfortable setting, or the Automatic Humidity Control to the desired frost factor setting, for automatic operation.

Honeywell

